



Designers' Choice

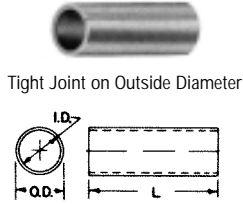
SPACERS & STANDOFFS

ALUMINUM ECONOMY SPACERS

• PRECISION FORMED • NO BURRS

Made of flat strip aluminum and rolled on precision equipment. Assures maximum bearing surface, square ends.

Aluminum: Per 5052-H34 per QQ-A-250/8b



Description and Tol.

SPACER FOR	I.D. ±.005	O.D. ±.007
#4	.125	.167
#6	.151	.193
#8	.178	.232

L Length	#4 Screw CAT. NO.	#6 Screw CAT. NO.	#8 Screw CAT. NO.
.187	397	—	—
.250	398	405	412
.312	399	406	413
.375	400	407	414
.437	401	408	415
.500	402	409	416
.625	403	410	417
.750	418	425	432
.875	419	426	433
1.000	420	427	434
1.250	421	428	435
1.500	422	429	436
1.750	—	430	437
2.000	—	—	438

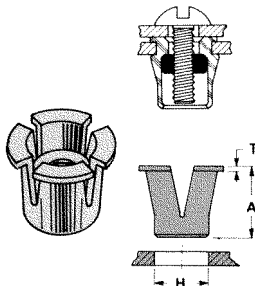
BLIND CAPTIVE NUTS — PRESS FIT

MOUNT CHASSIS, PANELS, HEAT SINKS, SOCKETS

MATERIAL: Molded Nylon with Brass threaded insert.

- EASY ASSEMBLY
- DAMPENS VIBRATION
- ELIMINATES INSULATING WASHER
- HI-DIELECTRIC STRENGTH

A unique reusable fastener made of NYLON which contains a threaded brass nut. Finger pressure or light tap seals it in a pre-drilled hole. The nut is drawn up causing a Nylon bulge behind the workpiece. Screw may be removed or replaced.

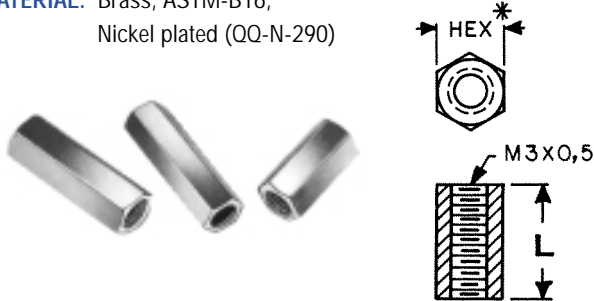


CAT. NO.	THREAD	"H" HOLE SIZE REQ/D.	IDEAL SHEET THICKNESS	A	T
4341	4-40	.250	.047	.312	.030
4342	6-32	.312	.078	.375	.030
4343	8-32	.406	.093	.500	.030

METRIC HEX THREADED STANDOFFS

A comprehensive range of precision made metric hex spacers.

MATERIAL: Brass, ASTM-B16, Nickel plated (QQ-N-290)



5mm HEX*	
CAT. NO.	"L"
4390	5mm
4391	10mm
4392	15mm
4393	20mm
4394	25mm

5.5mm HEX*	
CAT. NO.	"L"
4395	5mm
4396	10mm
4397	15mm
4398	20mm
4399	25mm

ROUND CLEAR SPACERS

BRASS OR ALUMINUM

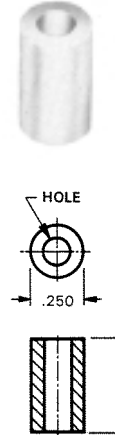
MATERIALS:

Brass: ASTM-B16, Nickel plate (QQ-N-290)
Aluminum: Iridite Finish (MIL-C-5541)

L LENGTH	HOLE	BRASS	ALUMINUM
		CAT. NO.	CAT. NO.
.125	.120	1909	2036
.250	.120	1454A	3457
.375	.120	1454B	3458
.500	.120	1454C	3459
.625	.120	1919	2314
.750	.120	1454D	3460
.875	.120	1920	3402
1.000	.120	1545E	3461
1.500	.120	1924	3462
2.000	.120	1925	3463
.125	.140	1934	3403
.250	.140	1457A	3464
.375	.140	1457B	3465
.500	.140	1457C	3466
.625	.140	1935	3429
.750	.140	1957D	3467
.875	.140	1936	3438
1.000	.140	1457E	3468
1.500	.140	1937	3469
2.000	.140	1938	3470
.125	.171	1942	4258
.250	.171	1480	3471
.375	.171	1481	3472
.500	.171	1482	3473
.625	.171	2032	4259
.750	.171	1483	3474
.875	.171	2033	4260
1.000	.171	1484	3475
1.500	.171	2034	3476
2.000	.171	2035	3477

CLEARANCE HOLE:

- .120 for #4 screw
- .140 for #6 screw
- .171 for #8 screw



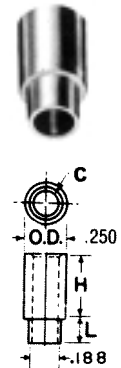
ROUND SWAGE CLEAR SPACERS

MATERIAL: Brass, ASTM-B16, Nickel plate (QQ-N-290)

CLEARANCE HOLE:

- .120 for #4 screw
- .140 for #6 screw

CAT. NO.	H HEIGHT	FOR PANEL THICKNESS	C HOLE	L
5060-2	.250	1/16	.120	.109
5060-3	.250	3/32	.120	.141
5061-2	.375	1/16	.120	.109
5061-3	.375	3/32	.120	.141
5062-2	.500	1/16	.120	.109
5062-3	.500	3/32	.120	.141
5063-2	.250	1/16	.140	.109
5063-3	.250	3/32	.140	.141
5064-2	.375	1/16	.140	.109
5064-3	.375	3/32	.140	.141
5065-2	.500	1/16	.140	.109
5065-3	.500	3/32	.140	.141



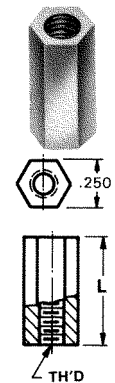
HEX STAINLESS THREADED STANDOFFS

MATERIAL: Stainless Steel per ASTM-A581/A582, Class 303

• Corrosion Resistant

L Length Inches	4-40 Thread CAT. NO.	6-32 Thread CAT. NO.	8-32 Thread CAT. NO.
1/4 (.250)	1921	1922	1923
3/8 (.375)	1921A	1922A	1923A
1/2 (.500)	1921B	1922B	1923B
3/4 (.750)	1921C	1922C	1923C
1 (1.000)	1921D	1922D	1923D
1 1/2 (1.500)	1921E	1922E	1923E
2 (2.000)	1921F	1922F	1923F

- 4-40 thread on 1/2" and over tapped 1/4" each end
- 6-32 & 8-32 thread on 1" and over tapped 3/8" each end



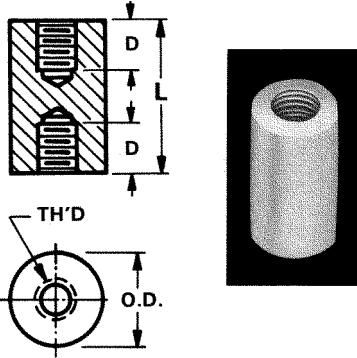


Designers' Choice

INSULATED SPACERS/STANDOFFS

CERAMIC STANDOFFS

- Ideal for very high temperature conditions
- Commercial and military types available
- Special sizes available upon request
- Exceptional strength in compression and tension
- Withstands very high voltage without flashover.
- Military types meet MIL-1-010, NL# clearly marked



COMMERCIAL

CAT. NO.	LENGTH	O.D.	T THREAD	D(2) DEPTH
7710	.250	.250	6-32	THRU
7711	.500	.250	6-32	.156
7712	.375	.375	6-32	.156
7713	.500	.375	6-32	.187
7714	.500	.500	6-32	.140
7715	.750	.500	6-32	.250
7716	1.000	.500	6-32	.375
7717	1.500	.500	6-32	.562
7718	2.500	.500	6-32	.500
7719	2.500	.750	1/4-20	.750
7720	4.000	.750	1/4-20	.750

MILITARY

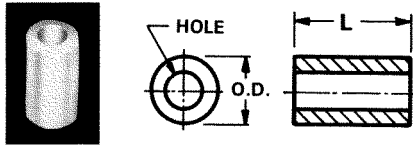
CAT. NO.	LENGTH	O.D.	T THREAD	D(2) DEPTH	NL #
7661	.500	.375	6-32	.156	NL523W01-004
7662	.625	.375	6-32	.250	NL523W01-005
7663	.625	.500	8-32	.187	NL523W02-005
7664	.750	.375	6-32	.250	NL523W01-006
7665	.750	.500	8-32	.250	NL523W02-006
7666	1.000	.375	10-32	.375	NL523W01-008
7667	1.000	.500	8-32	.375	NL523W02-008
7668	1.000	.750	10-32	.375	NL523W03-008
7669	1.250	.375	6-32	.375	NL523W01-010
7670	1.250	.500	8-32	.375	NL523W02-010
7671	1.250	1.000	1/4-20	.437	NL523W04-010
7672	1.500	.375	6-32	.375	NL523W01-012
7673	1.500	.500	8-32	.375	NL523W02-012
7674	1.500	.750	10-32	.375	NL523W03-012
7675	1.500	1.000	1/4-20	.500	NL523W04-012
7676	2.000	.375	6-32	.375	NL523W01-016
7677	2.000	.500	8-32	.375	NL523W02-016
7678	2.000	.750	10-32	.375	NL523W03-016

MATERIAL: Grade L5 Ceramic

PHENOLIC SPACERS/STANDOFFS

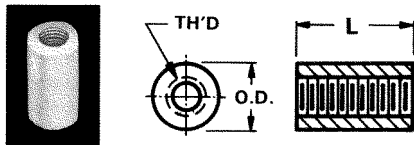
- RESISTS ABRASIONS & CHEMICALS • EXCELLENT DIELECTRIC STRENGTH
- LOW MOISTURE ABSORPTION • GOOD MECHANICAL STRENGTH

MATERIAL: PBE Grade Natural Color Phenolic



CLEAR HOLE SPACERS

"L" Length Inches	.250 O.D. (1/4)			.312 O.D.
	#4 Screw .120 Hole CAT. NO.	#6 Screw .140 Hole CAT. NO.	#8 Screw .171 Hole CAT. NO.	#10 Screw .200 Hole CAT. NO.
1/4 (.250)	360	367	1490	453
3/8 (.375)	361	368	1491	454
1/2 (.500)	362	369	1492	455
3/4 (.750)	363	370	1493	456
1 (1.000)	364	371	1494	457
1 1/2 (1.500)	365	372	374	458
2 (2.000)	366	373	375	459



THREADED STANDOFFS

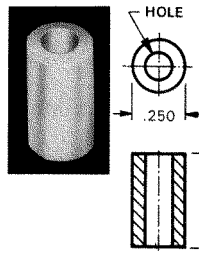
"L" Length Inches	.250 O.D. (1/4)			.312 O.D.	
	4-40 Th'd CAT. NO.	6-32 Th'd CAT. NO.	8-32 Th'd CAT. NO.	8-32 CAT. NO.	10-32 CAT. NO.
1/4 (.250)	376	383	390	460	467
3/8 (.375)	377	384	391	461	468
1/2 (.500)	378	385	392	462	469
3/4 (.750)	379	386	393	463	470
1 (1.000)	380	387	394	464	471
1 1/2 (1.500)	381	388	395	465	472
2 (2.000)	382	389	396	466	473

NOTE: 1 1/2" and 2" spacers are tapped 3/8" deep each end.

NYLON SPACERS/STANDOFFS

Economical for terminal or printed circuit board supports.

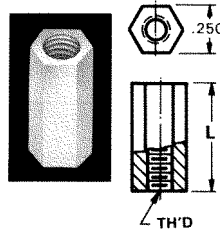
ROUND THRU-HOLE SPACERS



"L" Length Inches	#4 Screw .120 Hole CAT. NO.	#6 Screw .140 Hole CAT. NO.	#8 Screw .171 Hole CAT. NO.
1/8 (.125)	875	883	891
1/4 (.250)	876	884	892
3/8 (.375)	877	885	893
1/2 (.500)	878	886	894
5/8 (.625)	879	887	895
3/4 (.750)	880	888	896
7/8 (.875)	881	889	897
1 (1.000)	882	890	898

MATERIAL: Nylon 6/6

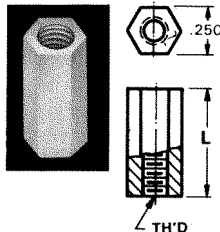
HEX THREADED STANDOFFS



"L" Length Inches	4-40 Thread CAT. NO.	6-32 Thread CAT. NO.	8-32 Thread CAT. NO.
1/4 (.250)	1902A	1903A	1904A
3/8 (.375)	1902B	1903B	1904B
1/2 (.500)	1902C	1903C	1904C
5/8 (.625)	1902F	1903F	1904F
3/4 (.750)	1902D	1903D	1904D
7/8 (.875)	1902G	1903G	1904G
1 (1.000)	1902E	1903E	1904E

MATERIAL: Nylon 6/6

FLAME RETARDANT HEX THREADED STANDOFFS



"L" Length Inches	4-40 Thread CAT. NO.	6-32 Thread CAT. NO.	8-32 Thread CAT. NO.
1/4 (.250)	8440A	8441A	8442A
3/8 (.375)	8440B	8441B	8442B
1/2 (.500)	8440C	8441C	8442C
5/8 (.625)	8440D	8441D	8442D
3/4 (.750)	8440E	8441E	8442E
7/8 (.875)	8440F	8441F	8442F
1 (1.000)	8440G	8441G	8442G

MATERIAL: Nylon 6/6