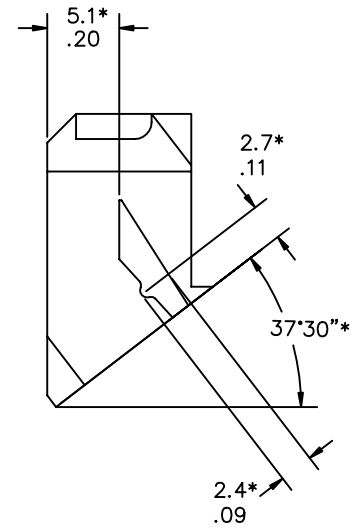
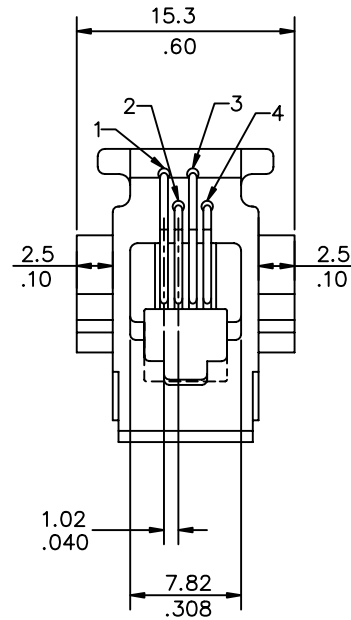
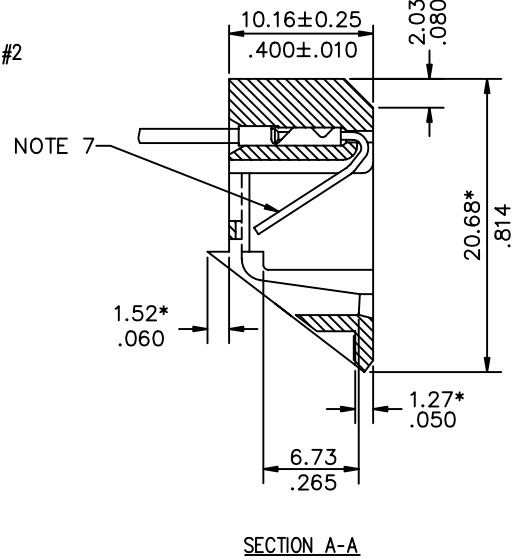
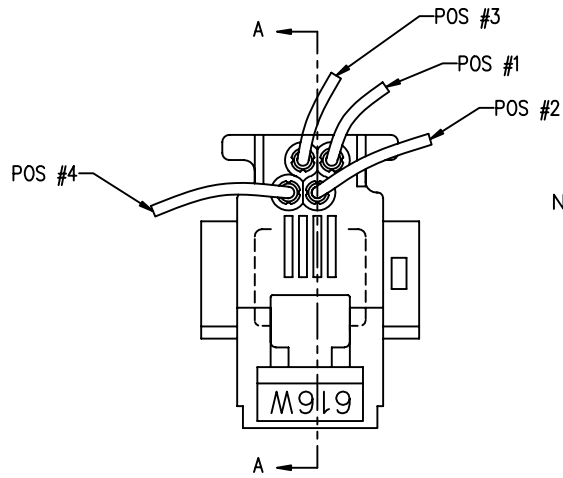
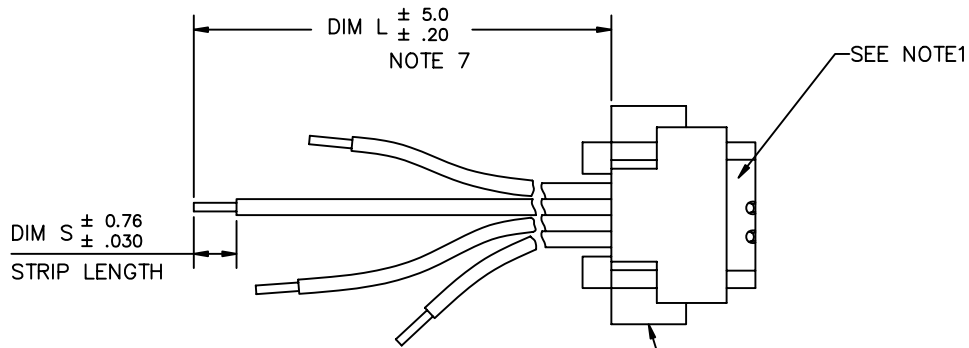


Tous droits strictement réservés. Reproduction ou communication à des tiers int  
 sous aucune forme que ce soit sans autorisation écrite du propriétaire.  
 propriété de FCI. Droits de reproduction FCI.



All rights strictly reserved. Reproduction or issue to third parties in any form  
 without written authority from the proprietor.  
 Property of FCI. Copyright FCI.

PRODUCT NO.  
 SEE TABLE OF SHEET 2



mat'l code				tolerance unless otherwise specified				CUSTOMER		FCI	
rev.	ecn no.	dr	date	linear	0.0 ± 0.25/00 ± .01		COPY		www.fciconnect.com		
U	T70398	TC	09/22/97		0.00 ± 0.13/000 ± .005		projection		title		
V	T90289	TC	08/04/99	angles	0.000 ± 0.05/0000 ± .002		⊕		616W MOD JACK ASSY WITH STRIPPED ENDS		
W	T90356	TC	10/14/99	dr	± 0°30"		unit		product family MOD JACK code		
X	N05-0064	YS	03/04/05	engr	T.CHIEN 09/07/93		mm/inch		size dwg no.		
Y	N08-0097	SH	09/25/08	chr	J.TSAO 09/08/93		scale		sheet		
				appd	J.TSAO 09/08/93		N/A		1 OF 2		
sheet	revision	Y	Y								
index	sheet	1	2								

Tous droits strictement réservés. Reproduction ou communication à des tiers interdite sans autorisation écrite du propriétaire. FCJ. Droits de reproduction FCJ.



All rights strictly reserved. Reproduction or issue to third parties in any form without written authority from the proprietor. FCJ. Copyright FCJ.

PRODUCT NO.	POS. NO.	WIRE COLOR	DIM L	WIRE STYLE	HOUSING MATERIAL	STRIP LENGTH DIM S	SPLICE FINISH	GOLDED WIRE	REMARK
76361-010 76361-010LF	1	RED	78.00/3.071	E	ABS UL94V-0	3.00/.118	UNPLATED	30 u" Au <sup>⑩</sup>	FOR 76361-010LF STRIPPED END MUST BE SOLDER DIPPED WITH PURE TIN
	2	WHITE	190.00/7.480						
	3	GREEN	190.00/7.480						
	4	BLACK	78.00/3.071						
76361-014 76361-014LF	1	RED	45.00/1.771	B	ABS UL94V-0 GRAY	3.00/.118	UNPLATED	30 u" Au <sup>⑩</sup>	
	2	WHITE	180.00/7.087						
	3	GREEN	180.00/7.087						
	4	BLACK	45.00/1.771						
76361-015 76361-015LF	1	RED	40.00/1.575	B	ABS UL94V-0 GRAY	3.00/.118	UNPLATED	30 u" Au <sup>⑩</sup>	
	2	WHITE	180.00/7.087						
	3	GREEN	180.00/7.087						
	4	BLACK	40.00/1.575						
76361-031 76361-031LF	1	RED	64.00/2.520	B	ABS UL94V-0 GRAY	4.00/.157	UNPLATED	30 u" GXT	
	2	WHITE	218.00/8.590						
	3	GREEN	218.00/8.590						
	4	BLACK	64.00/2.520						

NOTES:

- MAT'L HOUSING: SEE TABLE.
- MAT'L GOLD WIRE: PHOSPHOR BRONZE ALLOY UNS C51000. PLATING: 0.76um/30u" Au OVER 2.54um/100u" Ni OR SPECIFIED.
- INSULATED WIRE:
  - STYLE A: 27 AWG. 7 STRANDS OF TINNED COPPER WIRE, PVC INSULATION.
  - STYLE B: 27 AWG. 7 STRANDS OF TINNED COPPER WIRE, TOP COATED WITH TIN PVC INSULATION.
  - STYLE C: 26 AWG. 7 STRANDS OF TINNED COPPER WIRE, TOP COATED WITH TIN PVC INSULATION.
- STYLE D: 26 AWG. 7 STRANDS OF TINNED COPPER WIRE, PVC INSULATION.
- STYLE E: FLEXIBLE WIRE. 0.08mm DIA. X 19 CONDUCTOR BARE COPPER WIRE. UNPLATED IN SOLD STRAND. PVC INSULATION.
- FOR FUNCTIONAL MECHANICAL AND VISUAL REQUIREMENTS. SEE PRODUCT SPECIFICATION BUS-12-003
- TERMINAL MAT'L: BRASS ALLOY, PLAIN.
- ALL DIM MARKED WITH ASTERISKS ARE REF. FOR MOUNTING.
- WHEN A 4-POSITION PLUG IS INSERTED INTO THE HSG. THE CONTACT WIRE MAY NOT PROTRUDE OUT OF THE REAR WALL OF HSG.
- IF LF P/N THE PRODUCT MEETS EUROPEAN UNION DIRECTIVES AND OTHER COUNTRY REGULATIONS AS DESCRIBED IN GS-22-008.
- IF LF P/N THE PACKAGING MEETS GS-14-920 SPECIFICATION.
- EQUIVALENT THICKNESS Au AND GXT PLATING HAVE SAME FUNCTION AND THEY ARE ALTERNATIVE BY THE CUSTOEMR .

mat'l code		tolerance unless otherwise specified		CUSTOMER COPY		 www.fcconnect.com	
rev.	ecn no.	dr	date	linear	0.0 ±0.25/00 ±.01	projection	
Y					0.00 ±0.13/000 ±.005		
				angles	± 0°30"		product family MOD JACK size dwg no.
				dr	T.CHIEN 09/07/93		
				enr	T.CHIEN 09/07/93	scale	A4
				chr	J.TSAO 09/08/93		76361
				appd	J.TSAO 09/08/93		code
sheet	revision						TWN
index	sheet						sheet 2 of 2