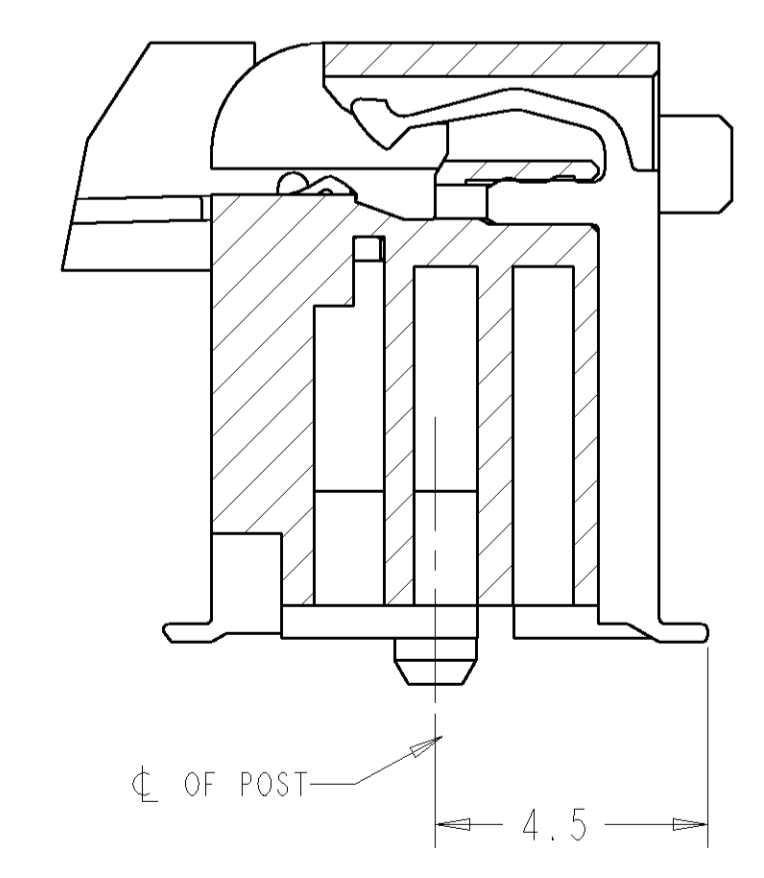
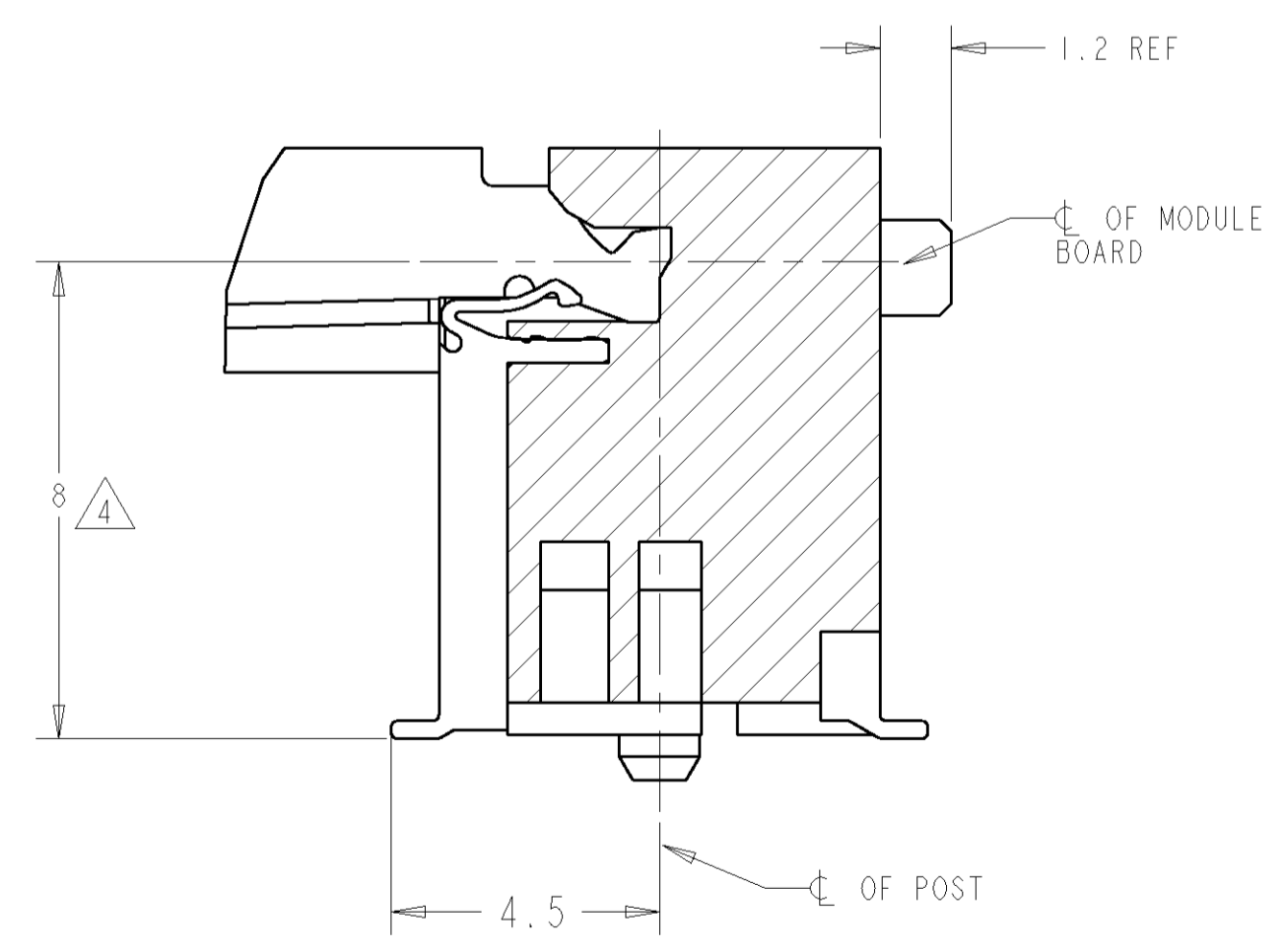
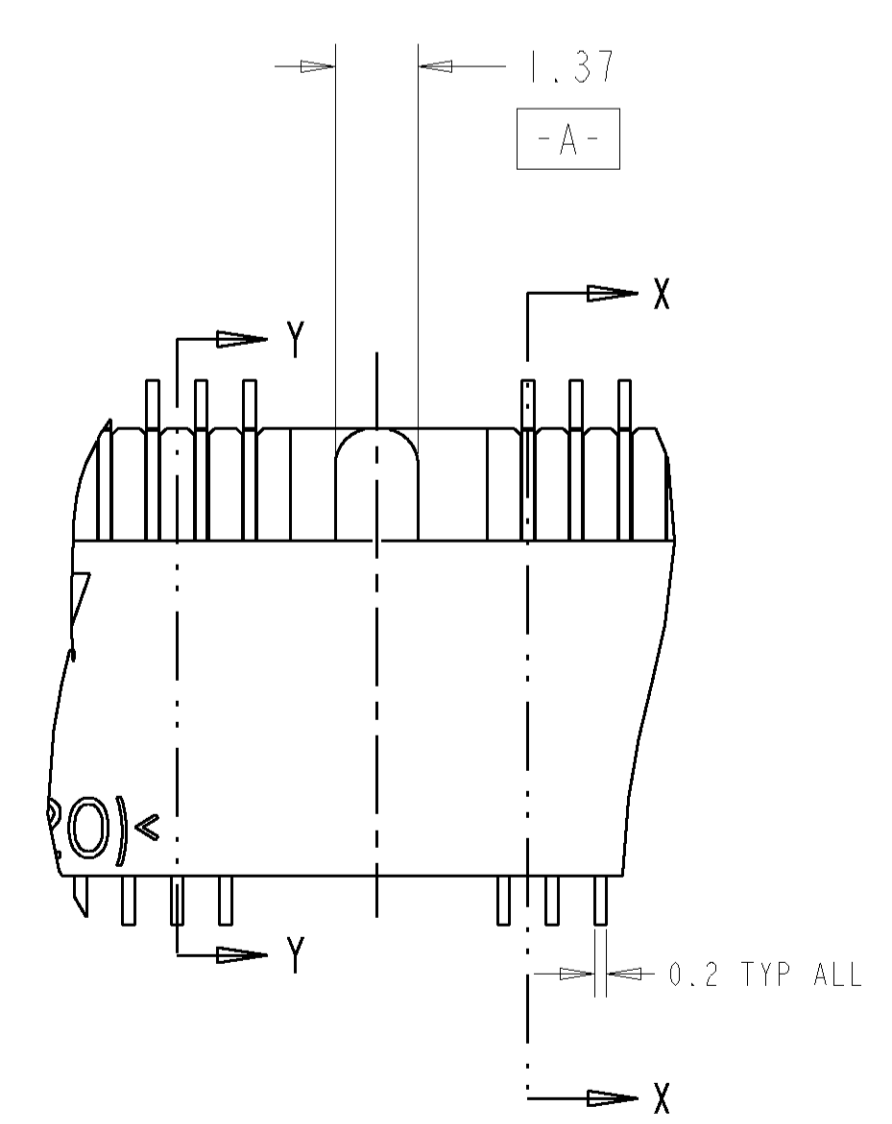
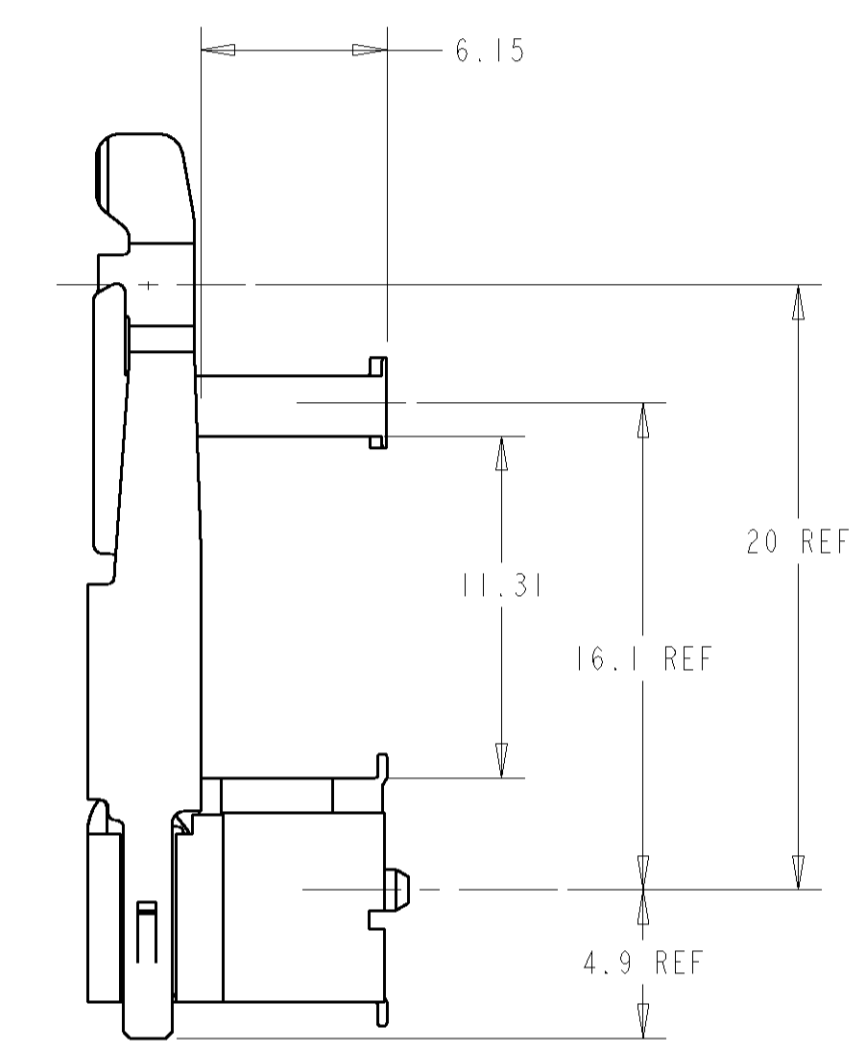
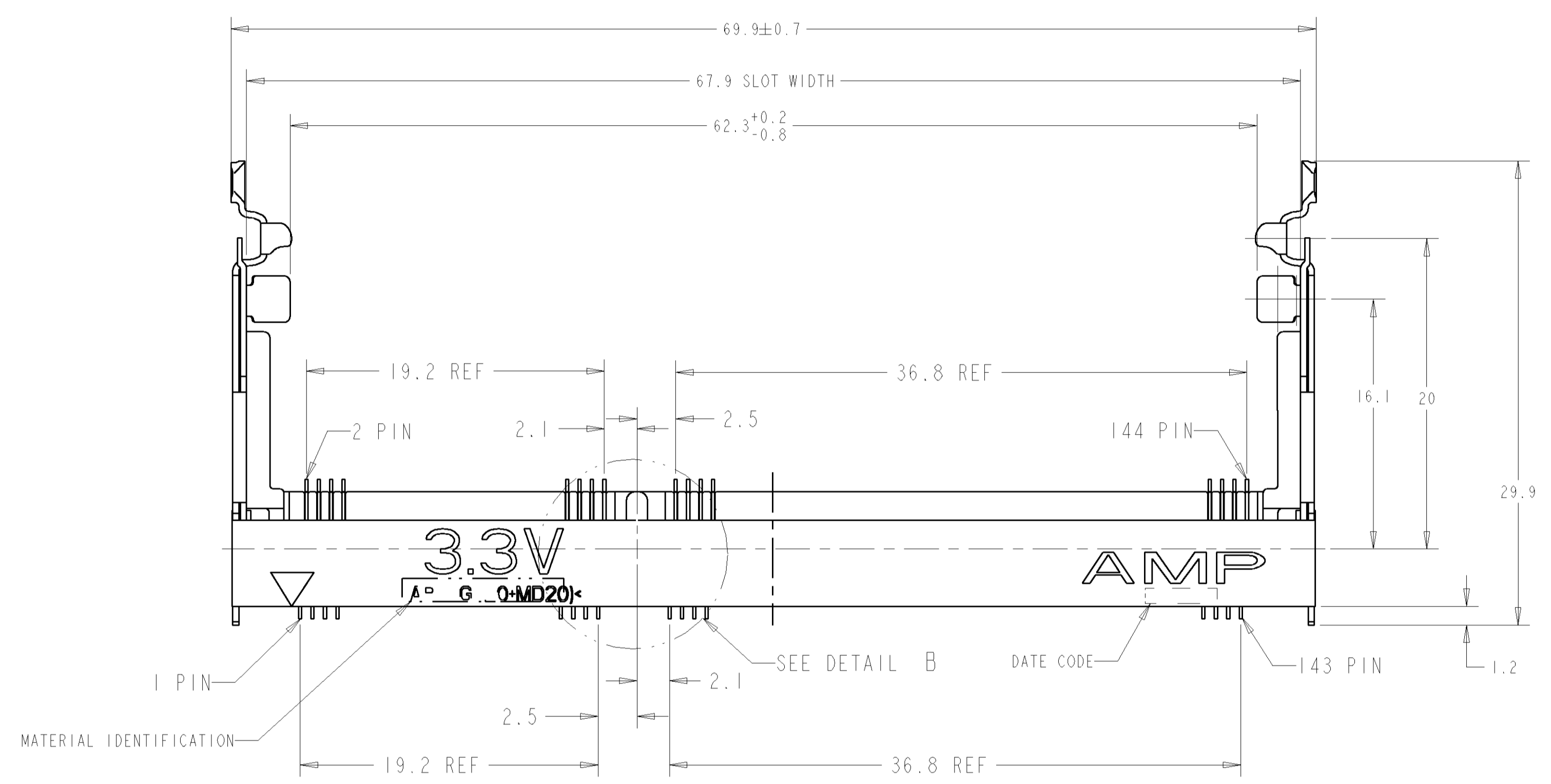
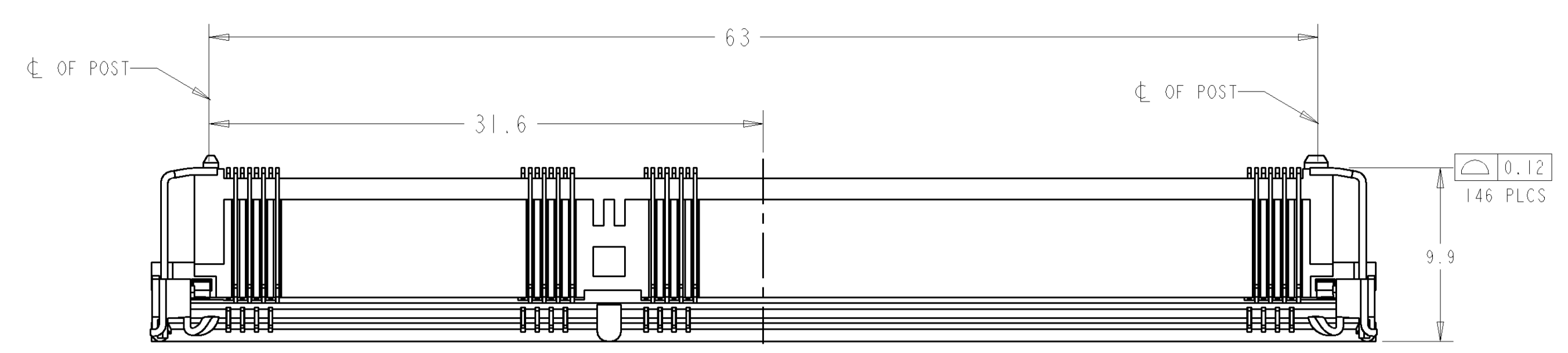


REVISONS		DATE	DNM	APRD
F	LTR			
K	REVISED ECR-05-006240	06JUL05	SYJ	LSF

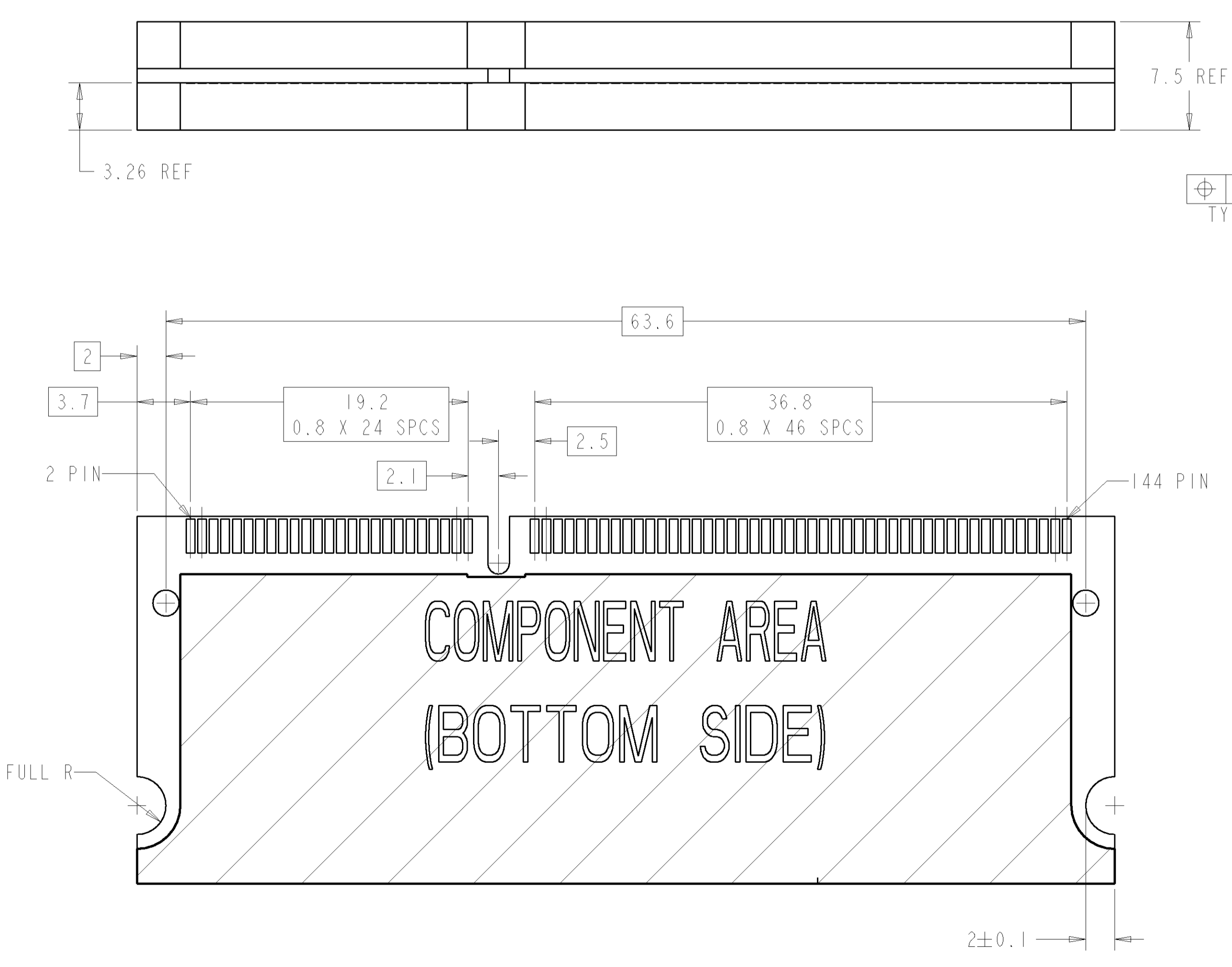
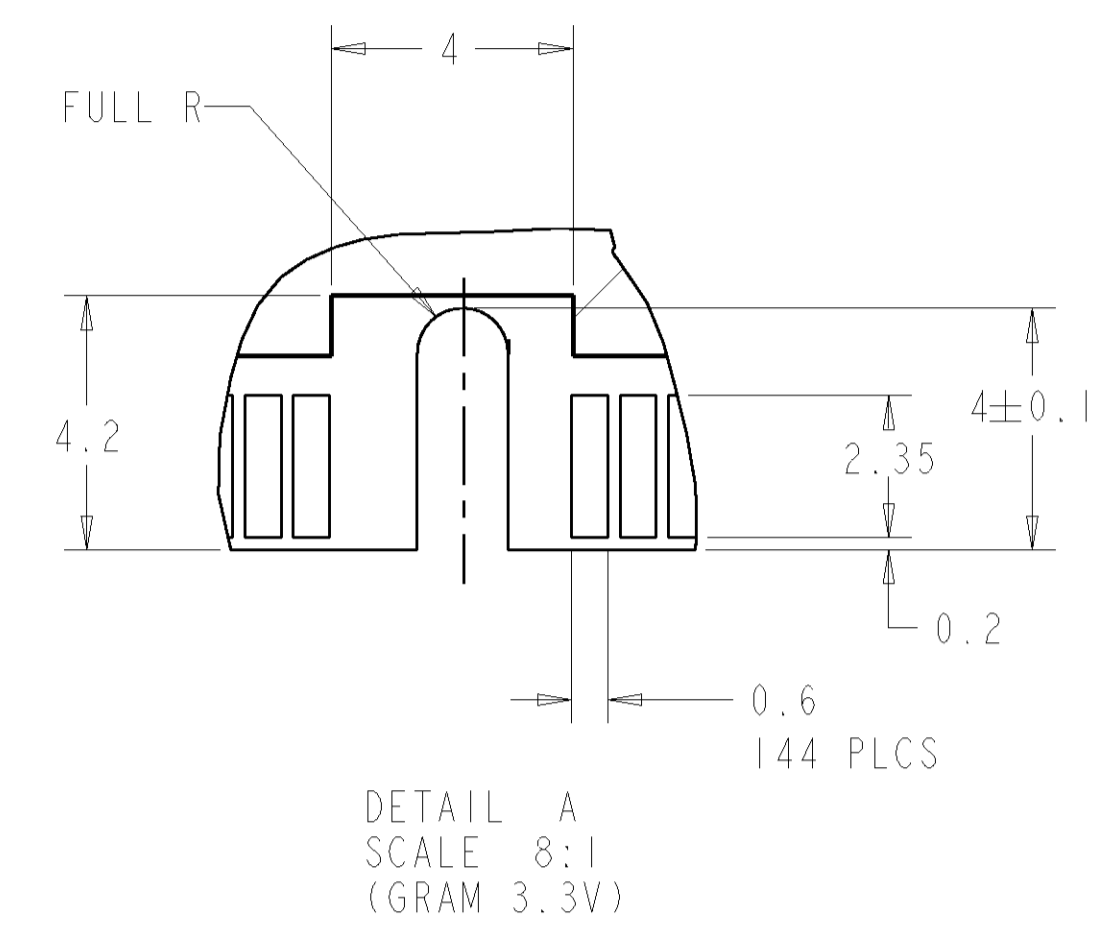
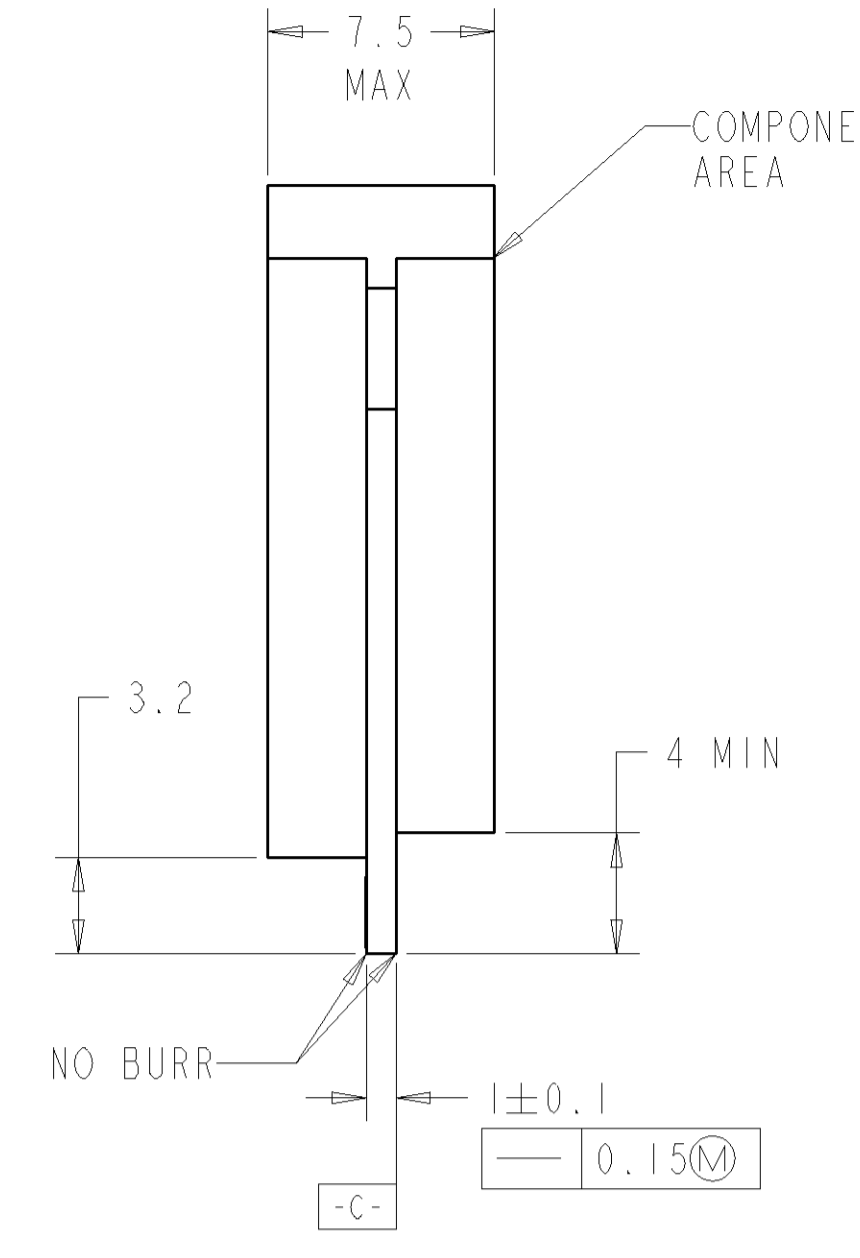
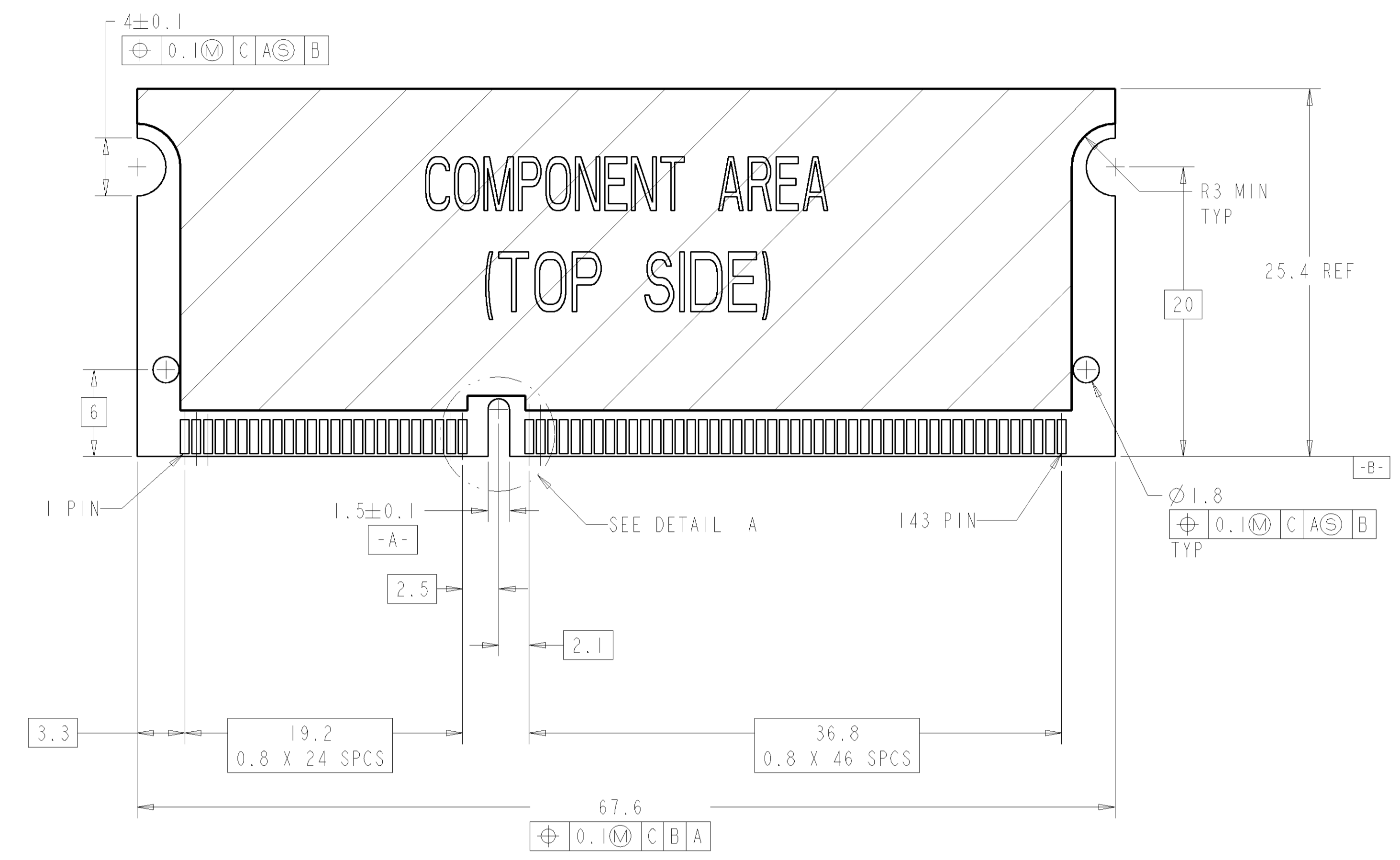


- 1 MATERIAL, HOUSING, HIGH TEMP. PLASTIC, UL94V-0
CONTACT: COPPER ALLOY
LOCK LEVER: SUS301 TIN PLATING.
- 2 FINISH; CONTACT AREA: 0.00025 MIN GOLD PLT ON
0.001 MIN ALL OVER NICKEL
SOLDERING AREA: 0.00005 MIN TO 0.00030 MAX
GOLD PLT
- 3. TOLERANCES NON-ACCUMULATIVE.
- 4 DIMENSIONING TO MODULE CENTER LINE.
- 5 PART TO BE PACKAGED PER EIA IS-704 STANDARD.
REEL DIAMETER SHALL BE 330mm, TAPE WIDTH SHALL
BE 88mm, AND TAPE PITCH SHALL BE 36mm.
- 6 REVERSE REELING.

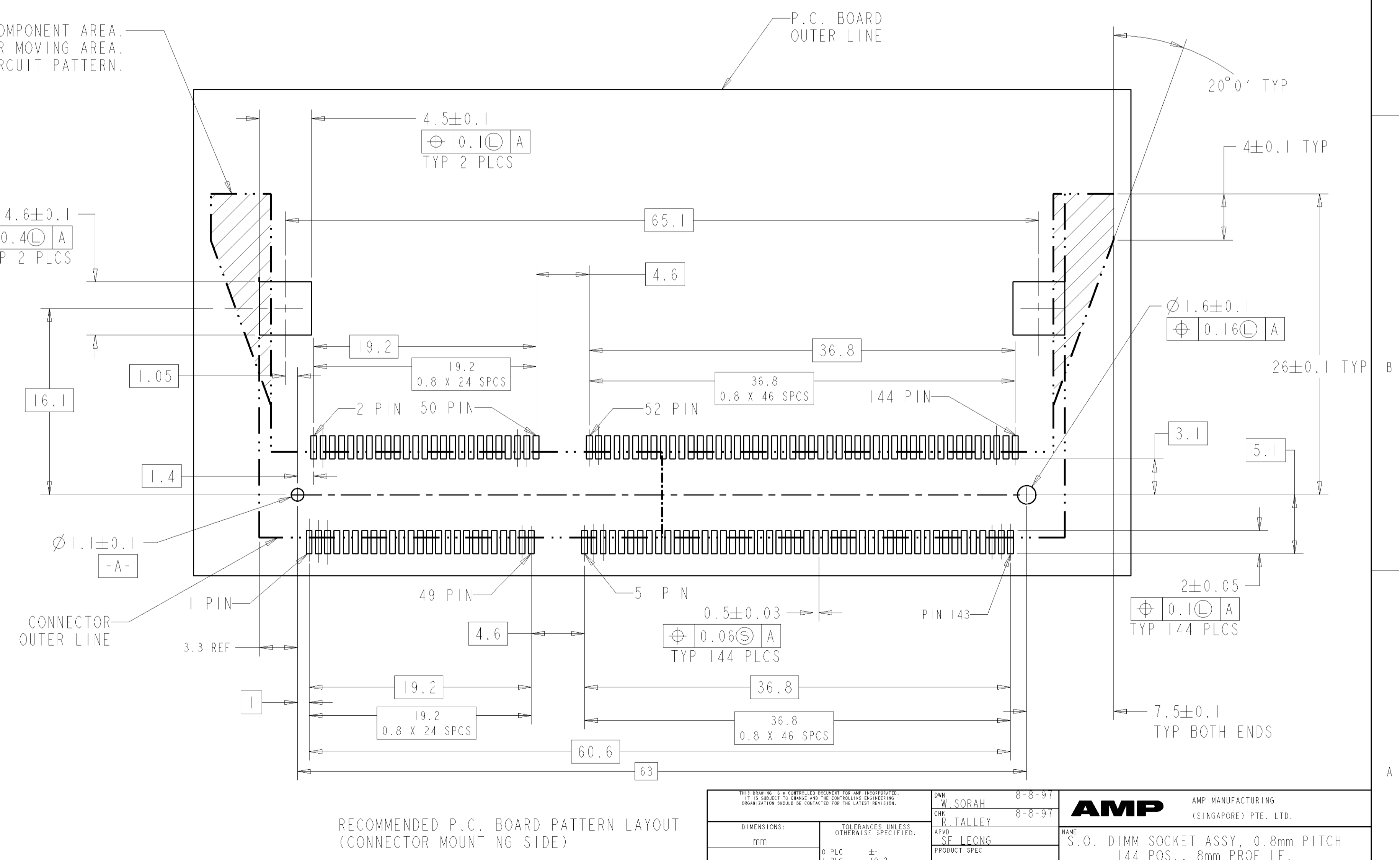
AVAILABLE	GRAM 3.3V	144	9-390110-1	5 6
AVAILABLE	GRAM 3.3V	144	6-390110-1	5
AVAILABLE	GRAM 3.3V	144	390110-1	
REMARKS	POWER SUPPLY	POS	PART NUMBER	

<small>THIS DRAWING IS A CONTROLLED DOCUMENT FOR AMP INCORPORATED. ALL DIMENSIONS ARE IN MILLIMETERS UNLESS OTHERWISE SPECIFIED. ORGANIZATION SHOULD BE CONTACTED FOR THE LATEST REVISION.</small>		DWN: W. SORAH 8-8-97 CDR: R. TALLEY 8-8-97 APD: SE LEONG	NAME: AMP MANUFACTURING (SINGAPORE) PTE., LTD. PRODUCT SPEC: S.O. DIMM SOCKET ASSY, 0.8mm PITCH, 144 POS., 8mm PROFILE, FOR SGRAM TYPE MODULE APPLICATION SPEC: - SIZE: A1 CAGE CODE: 00779 DRAWING NO: C-390110
DIMENSIONS: mm TOLERANCES UNLESS OTHERWISE SPECIFIED: 0 PLC ± 1 PLC ±0.2 2 PLC ±0.2 3 PLC ±0.2 4 PLC ± ANGLES ±	MATERIAL: - FINISH: -	WEIGHT: - CUSTOMER DRAWING: -	SCALE: 4:1 SHEET: 1 OF 2 REV: K

LOC	DIST	REV	DATE	BY	APPD
01	01	1			



NO COMPONENT AREA. LEVER MOVING AREA. ACCEPT CIRCUIT PATTERN.



<small>THIS DRAWING IS A CONTROLLED DOCUMENT FOR AMP INCORPORATED. ALL INFORMATION CONTAINED HEREIN IS UNCLASSIFIED EXCEPT WHERE SHOWN OTHERWISE. UNCLASSIFICATION SHOULD BE CONTACTED FOR THE LATEST REVISION.</small>		DWN: W. SORAH 8-8-97 CHK: R. TALLEY 8-8-97 APD: SE LEONG PRODUCT SPEC: - APPLICATION SPEC: - WEIGHT: - CUSTOMER DRAWING: -	AMP AMP MANUFACTURING (SINGAPORE) PTE. LTD. NAME: S.O. DIMM SOCKET ASSY, 0.8mm PITCH 144 POS., 8mm PROFILE, FOR SGRAM TYPE MODULE SIZE: A1 CAGE CODE: 00779 DRAWING NO: C=390110 SCALE: 4:1 SHEET 2 OF 2 REV K
DIMENSIONS: mm TOLERANCES UNLESS OTHERWISE SPECIFIED: 0 PLC ± 1 PLC ±0.2 2 PLC ±0.2 3 PLC ±0.2 4 PLC ± ANGLES ±	MATERIAL: - FINISH: -	DIMENSIONS: mm TOLERANCES UNLESS OTHERWISE SPECIFIED: 0 PLC ± 1 PLC ±0.2 2 PLC ±0.2 3 PLC ±0.2 4 PLC ± ANGLES ±	DIMENSIONS: mm TOLERANCES UNLESS OTHERWISE SPECIFIED: 0 PLC ± 1 PLC ±0.2 2 PLC ±0.2 3 PLC ±0.2 4 PLC ± ANGLES ±