

Photointerrupter, General type



Absolute maximum ratings (Ta=25°C)

Parameter	Symbol	Limits	Unit
Input (LED)	Forward current	I <sub>F</sub>	50 mA
	Reverse voltage	V <sub>R</sub>	5 V
	Power dissipation	P <sub>D</sub>	80 mW
Output (photo-transistor)	Collector-emitter voltage	V <sub>CE0</sub>	30 V
	Emitter-collector voltage	V <sub>ECO</sub>	4.5 V
	Collector current	I <sub>C</sub>	30 mA
	Collector power dissipation	P <sub>C</sub>	80 mW
Operating temperature	T <sub>opr</sub>	-25 to +85	°C
Storage temperature	T <sub>stg</sub>	-40 to +85	°C
Soldering temperture	T <sub>sol</sub>	260 / 3 *	°C / s

\* 1mm from the body bottom.

Electrical and optical characteristics (Ta=25°C)

Parameter	Symbol	Min.	Typ.	Max.	Unit	Conditions	
Input characteristics	Forward voltage	V <sub>F</sub>	-	1.3	1.6	V	I <sub>F</sub> =50mA
	Reverse current	I <sub>R</sub>	-	-	10	μA	V <sub>R</sub> =10V
	Dark current	I <sub>CEO</sub>	-	-	0.5	μA	V <sub>CE</sub> =10V
Output characteristics	Peak sensitivity wavelength	λ <sub>P</sub>	-	800	-	nm	-
	Collector current	I <sub>C</sub>	0.5	-	-	mA	V <sub>CE</sub> =5V, I <sub>F</sub> =20mA
Transfer characteristics	Collector-emitter saturation voltage	V <sub>CE(sat)</sub>	-	0.1	0.5	V	I <sub>F</sub> =20mA, I <sub>C</sub> =0.1mA
	Response time	Rise time	t <sub>r</sub>	-	10	μs	V <sub>CC</sub> =5V, I <sub>F</sub> =20mA, R <sub>L</sub> =100Ω
		Fall time	t <sub>f</sub>	-	10	μs	
Infrared light emitter diode	Cut-off frequency	f <sub>c</sub>	-	1	-	MHz	I <sub>F</sub> =50mA
	Peak light emitting wavelength	λ <sub>P</sub>	-	950	-	nm	* Non-coherent Infrared light emitting diode used.
Photo transistor	Response time	t <sub>r</sub> ·t <sub>f</sub>	-	10	-	μs	V <sub>CC</sub> =5V, I <sub>C</sub> =1mA, R <sub>L</sub> =100Ω * This product is not designed to be protected against electromagnetic wave.
	Maximum sensitivity wavelength	λ <sub>P</sub>	-	800	-	nm	-

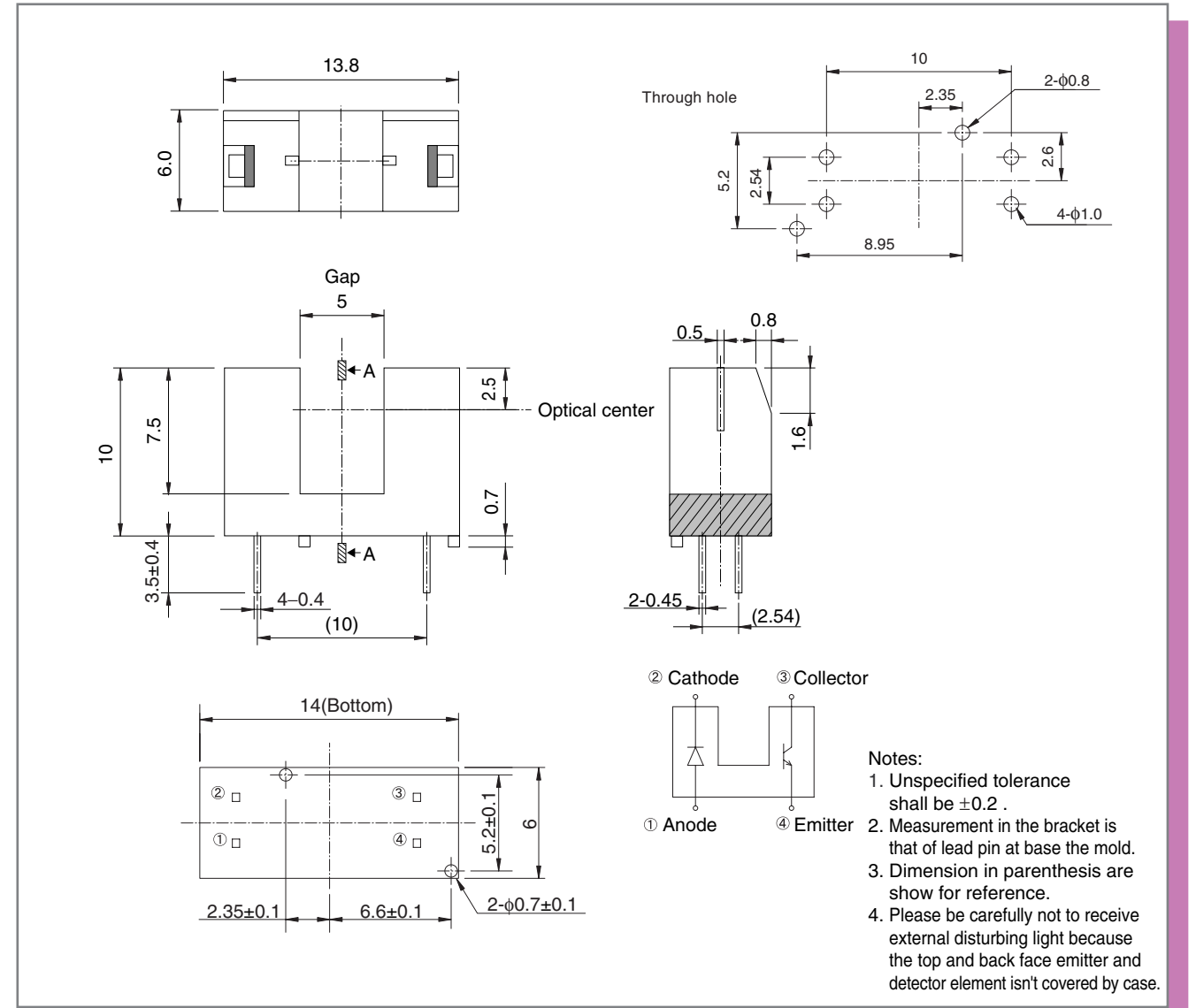
Applications

Printers  
Facsimiles  
AV equipment

Features

- 1) Heat resistance (170°C).
- 2) Small gap (0.5mm) and good accuracy.
- 3) Quick response time.
- 4) Filter against visible ray is built-in.

External dimensions (Unit : mm)



- Notes:
1. Unspecified tolerance shall be ±0.2.
  2. Measurement in the bracket is that of lead pin at base mold.
  3. Dimension in parenthesis are show for reference.
  4. Please be carefully not to receive external disturbing light because the top and back face emitter and detector element isn't covered by case.

Electrical and optical characteristics curves

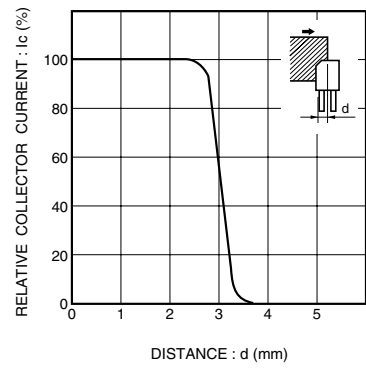


Fig.1 Relative output vs. distance (I)

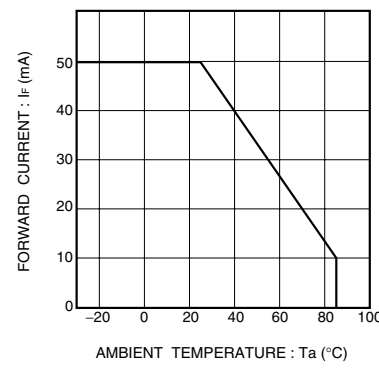


Fig.2 Forward current falloff

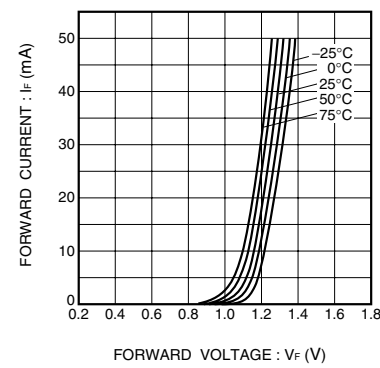


Fig.3 Forward current vs. forward voltage

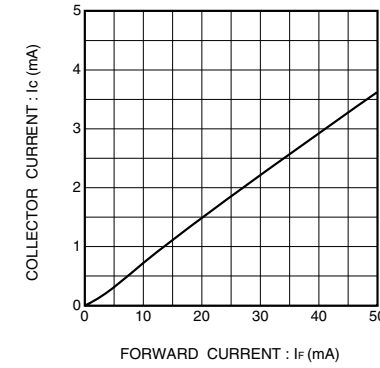


Fig.7 Collector current vs. forward current

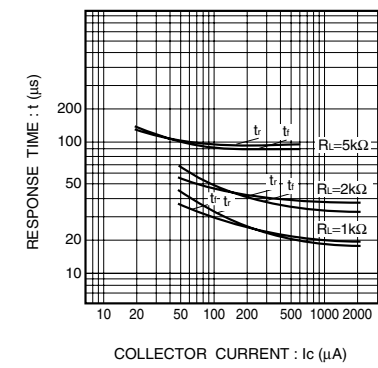


Fig.8 Response time vs. collector current

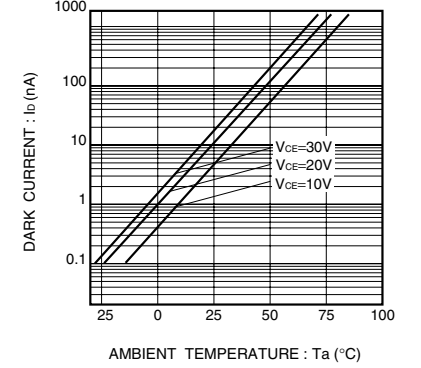


Fig.9 Dark current vs. ambient temperature

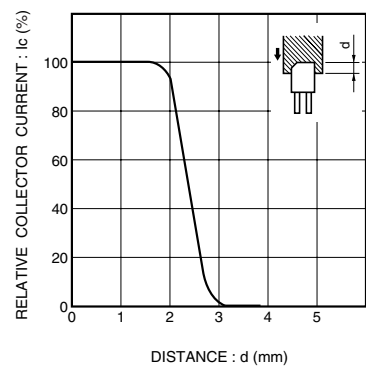


Fig.4 Relative output vs. distance (II)

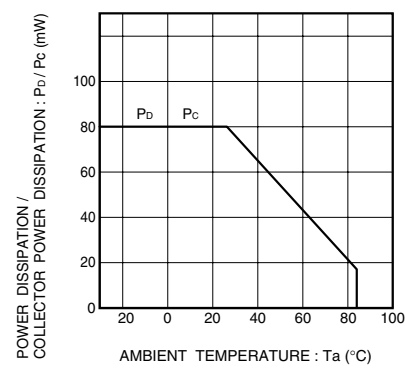


Fig.5 Power dissipation / collector power dissipation vs. ambient temperature

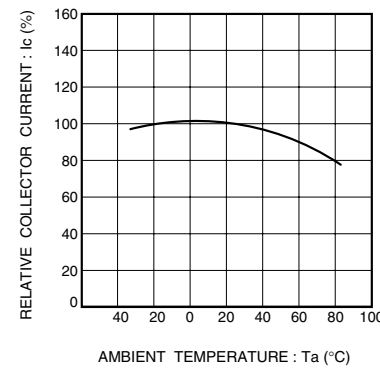


Fig.6 Relative output vs. ambient temperature

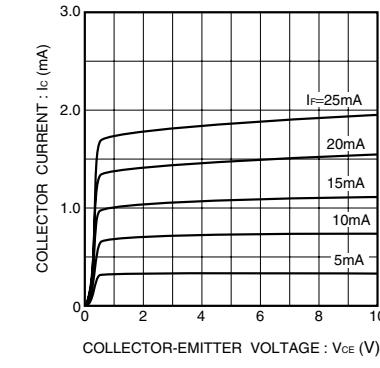


Fig.10 Output characteristics

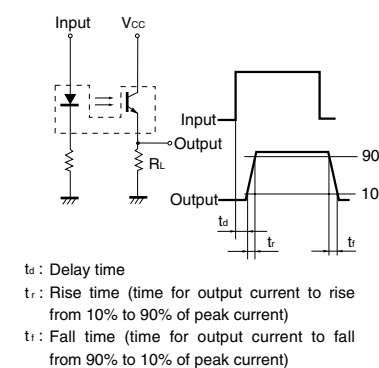


Fig.11 Response time measurement circuit

### Notes

- No technical content pages of this document may be reproduced in any form or transmitted by any means without prior permission of ROHM CO.,LTD.
- The contents described herein are subject to change without notice. The specifications for the product described in this document are for reference only. Upon actual use, therefore, please request that specifications to be separately delivered.
- Application circuit diagrams and circuit constants contained herein are shown as examples of standard use and operation. Please pay careful attention to the peripheral conditions when designing circuits and deciding upon circuit constants in the set.
- Any data, including, but not limited to application circuit diagrams information, described herein are intended only as illustrations of such devices and not as the specifications for such devices. ROHM CO.,LTD. disclaims any warranty that any use of such devices shall be free from infringement of any third party's intellectual property rights or other proprietary rights, and further, assumes no liability of whatsoever nature in the event of any such infringement, or arising from or connected with or related to the use of such devices.
- Upon the sale of any such devices, other than for buyer's right to use such devices itself, resell or otherwise dispose of the same, no express or implied right or license to practice or commercially exploit any intellectual property rights or other proprietary rights owned or controlled by
- ROHM CO., LTD. is granted to any such buyer.
- Products listed in this document are no antiradiation design.

The products listed in this document are designed to be used with ordinary electronic equipment or devices (such as audio visual equipment, office-automation equipment, communications devices, electrical appliances and electronic toys).

Should you intend to use these products with equipment or devices which require an extremely high level of reliability and the malfunction of which would directly endanger human life (such as medical instruments, transportation equipment, aerospace machinery, nuclear-reactor controllers, fuel controllers and other safety devices), please be sure to consult with our sales representative in advance.

#### About Export Control Order in Japan

Products described herein are the objects of controlled goods in Annex 1 (Item 16) of Export Trade Control Order in Japan.

In case of export from Japan, please confirm if it applies to "objective" criteria or an "informed" (by MITI clause) on the basis of "catch all controls for Non-Proliferation of Weapons of Mass Destruction.