

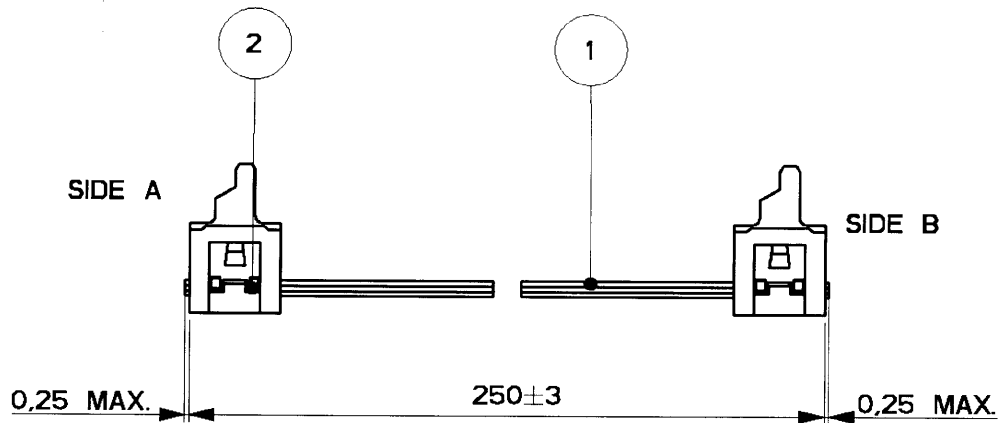
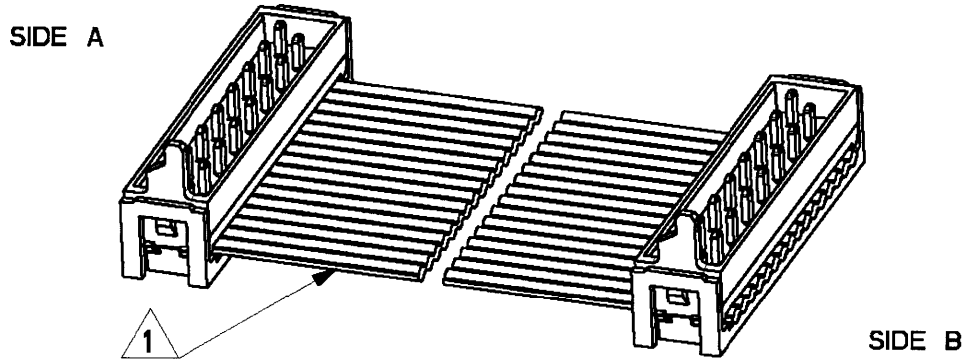
378-4551

THIS DRAWING IS A CONTROLLED DOCUMENT FOR Tyco Electronics Nederland B.V.  
IT IS SUBJECT TO CHANGE AND THE CONTROLLING ENGINEERING ORGANIZATION SHOULD BE CONTACTED FOR THE LATEST REVISION.

LOC	DIST	LTR	REVISION RECORD	DATE	APVD
H	-	A	EH00-1269-01	19/11/01	HS
-	-	-	-	-	-
-	-	-	-	-	-

1 WIRE RED MARKED

2 ASSEMBLIES ARE PACKAGED ACCORDING PACKAGING SPEC 107-19582



XXXXXXXXXXXX DATE: -  
 ALL RIGHTS RESERVED.  
 By Tyco Electronics Nederland B.V.

THIS DRAWING IS UNPUBLISHED.  
 COPYRIGHT -

Item no.	Description	Q'TY
2	MALE ON WIRE CONNECTOR	2
1	BULK WIRE FLAT RIBBON CABLE	1

DIMENSIONS: <b>mm</b>	DWN	H.Spelde	MATERIAL	FINISH	
	CHK	H. Spelde	<b>AMP</b> Tyco Electronics Nederland B.V. 's-HERTOGENBOSCH, THE NETHERLANDS NAME <b>Micro-MaTch Lead Ass'y</b> <b>16 POSITIONS</b>		
APVD	E. Leijtens				
PRODUCT SPEC	-				
APPLICATION SPEC	-				
TOLERANCES UNLESS OTHERWISE SPECIFIED: 0 PLC ± - 1 PLC ± - 2 PLC ± - 3 PLC ± - 4 PLC ± - ANGLES ± -	WEIGHT	-	SIZE	CAGE CODE	DRAWING NO
			A4	00779	C-1483356-3
<b>CUSTOMER DRAWING</b>			SCALE	5:2	SHEET 1 OF 1 REV A