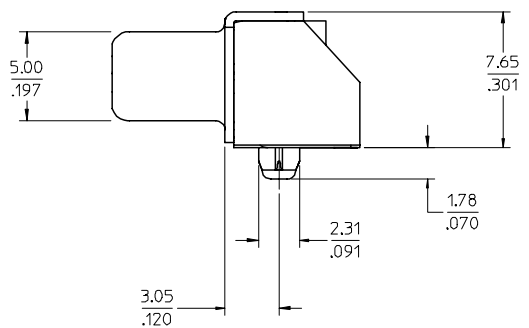
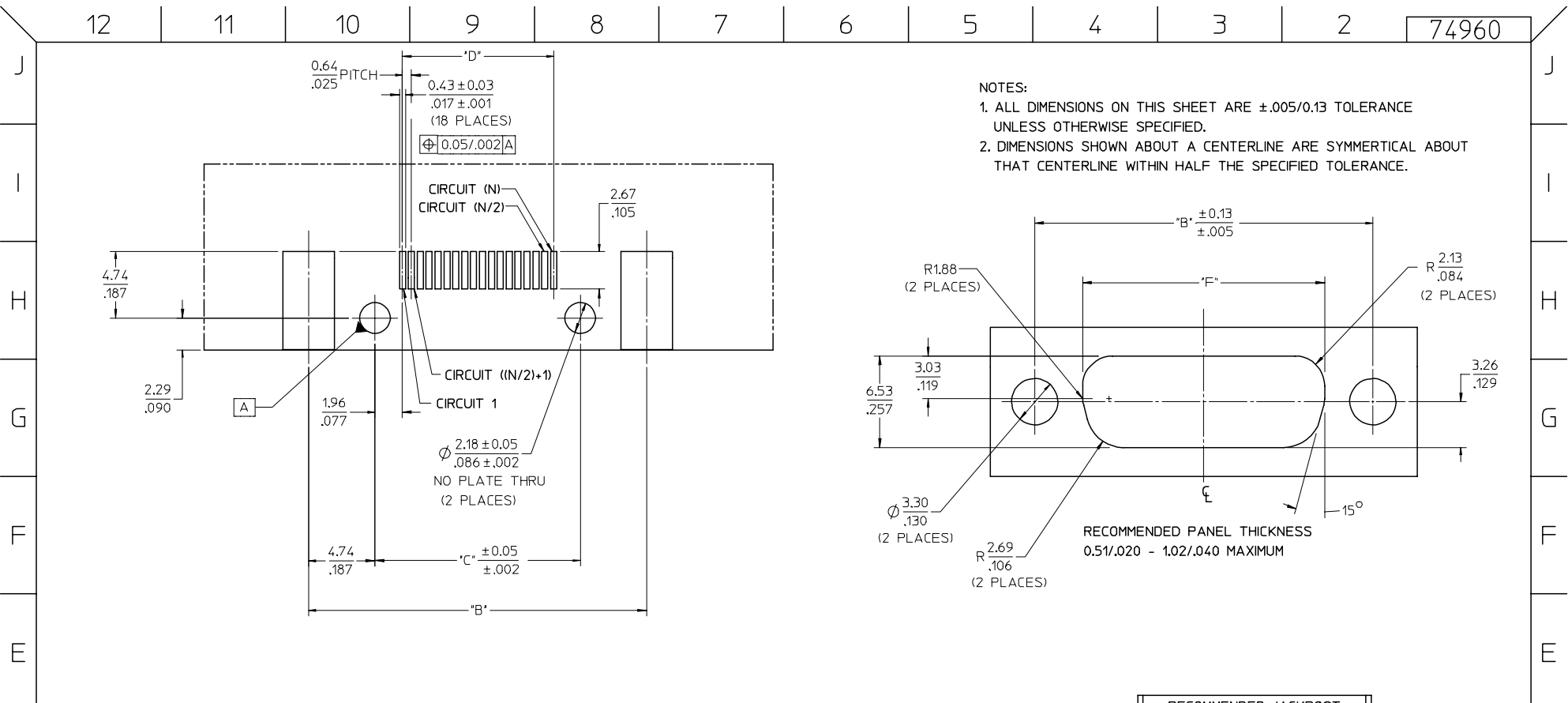


- NOTES:
1. MATERIALS:
SHIELD - DEEP DRAWN STEEL
HOUSING - GLASS FILLED POLYMER, BLACK, UL 94V-0
CONTACTS - COPPER ALLOY
 2. PLATING:
TERMINALS - SELECTIVE GOLD (Au) THICKNESS IN CONTACT AREA, 0.38 MICROMETERS/15 MICROINCHES MINIMUM;
SELECTIVE MATTE TIN (Sn) THICKNESS IN PC TAIL AREA, 2.54 MICROMETERS/100 MICROINCHES MINIMUM,
OVER NICKEL (Ni) UNDERPLATE OVERALL.
SHIELD - 2.54 MICROMETERS/100 MICROINCHES MINIMUM BRIGHT TIN (Sn)
OVER 1.27 MICROMETERS/50 MICROINCHES MINIMUM NICKEL (Ni)
OVER COPPER (Cu) UNDERPLATE OVERALL.
 3. PC SMT TAILS AND 2 GROUND TABS ARE TO BE COPLANAR WITHIN 0.127/0.005.
 4. PARTS TO BE PACKAGED IN TAPE AND REEL PER PK-74960-995.
 5. REFER TO SHEET 2 FOR RECOMMENDED PCB LAYOUT AND PANEL CUT-OUT.
 6. RECOMMENDED JACK POST MOUNTING HARDWARE (QTY 2 PER ASSEMBLY).
SEE CHART FOR ITEM NUMBERS AND SALES DRAWING SD-74962-000.
 7. PRODUCT CONFORMS TO MOLEX PRODUCT SPECIFICATION PS-74960-000.
 8. FOR TDP RECEPTACLE WITH M3 INTERNAL THREAD OPTION CONTACT PRODUCT MARKETING.



ADD MORE RIBS TO PEGS EC NO: UCP2006-1957 DRWN:DMORGAN 2006/02/28 CHKD:BBARKER 2006/03/06 APPR:SMILLER 2006/03/06	QUALITY SYMBOLS	GENERAL TOLERANCES (UNLESS SPECIFIED)		SCALE 5:1	DESIGN UNITS INCH	THIRD ANGLE PROJECTION	REVISE ON CAD ONLY
	DESCRIPTION	mm	INCH	DIMENSION STYLE MM/IN		TITLE	
	▽=0	4 PLACES ±---	±---	DRAWN BY DATE	SALES DRAWING - TDP TRIAD DIFFERENTIAL PAIR SMT RECEPTACLE ASSEMBLY		
	◇=0	3 PLACES ±---	±.010	TMCCLELL 01/09/25	MOLEX INCORPORATED		
		2 PLACES ±0.25	±---	CHECKED BY DATE	MATERIAL NO. DOCUMENT NO. SHEET NO.		
		1 PLACE ±---	±---	DSCHMIDG 02/08/19	SEE CHART SD-74960-001 1 OF 2		
		ANGULAR ±1/2°		APPROVED BY DATE	THIS DRAWING CONTAINS INFORMATION THAT IS PROPRIETARY TO MOLEX INCORPORATED AND SHOULD NOT BE USED WITHOUT WRITTEN PERMISSION		
		DRAFT WHERE APPLICABLE MUST REMAIN WITHIN DIMENSIONS		BANAKIS 02/08/19			



- NOTES:
1. ALL DIMENSIONS ON THIS SHEET ARE ±.005/0.13 TOLERANCE UNLESS OTHERWISE SPECIFIED.
 2. DIMENSIONS SHOWN ABOUT A CENTERLINE ARE SYMMETRICAL ABOUT THAT CENTERLINE WITHIN HALF THE SPECIFIED TOLERANCE.

NOT TOOLED	ITEM NUMBER	CIRCUIT SIZE	*A* DIMENSION	*B* DIMENSION	*C* DIMENSION	*D* DIMENSION	*E* DIMENSION	*F* DIMENSION	
	74960-2018	18	30.48 1.200	24.13 .950	14.66 .577	10.80 .425	15.75 .620	17.27 .680	
	74960-2028	28	36.83 1.450	30.48 1.200	21.01 .827	17.15 .675	22.10 .870	23.62 .930	
X	74960-2038	38	43.18 1.700	36.83 1.450	27.36 1.077	23.50 .925	28.40 1.118	29.97 1.180	CONTACT PRODUCT MARKETING
	74960-2048	48	49.53 1.950	43.18 1.700	33.71 1.327	29.85 1.175	34.75 1.368	36.32 1.430	
X	74960-2072	72	64.77 2.550	58.42 2.300	48.95 1.927	45.09 1.775	49.99 1.968	51.56 2.030	CONTACT PRODUCT MARKETING

RECOMMENDED JACKPOST
INTERNAL THREAD OPTIONS
(SEE NOTE 6 ON SHEET 1)

4-40	M3
74962-0001	74962-0002

4-40 THREAD
INTERNAL THREAD

ADD MORE RIBS TO PEGS EC NO: UCP2006-1957 DRWN:DMORGAN 2006/02/28 CHKD:BBARKER 2006/03/06 APPR:SMILLER 2006/03/06	QUALITY SYMBOLS	GENERAL TOLERANCES (UNLESS SPECIFIED)	SCALE	DESIGN UNITS	THIRD ANGLE PROJECTION	REVISE ON CAD ONLY
	DESCRIPTION		5:1	INCH		
	REVISIONS		DIMENSION STYLE	TITLE		
			MM/IN	SALES DRAWING - TDP TRIAD DIFFERENTIAL PAIR SMT RECEPTACLE ASSEMBLY		
		4 PLACES ± --- ± ---	DRAWN BY	DATE	MATERIAL NO. DOCUMENT NO. SHEET NO.	
		3 PLACES ± --- ± .010	TMCCLELL	01/09/25	SEE CHART SD-74960-001 2 OF 2	
		2 PLACES ± 0.25 ± ---	CHECKED BY	DATE	THIS DRAWING CONTAINS INFORMATION THAT IS PROPRIETARY TO MOLEX INCORPORATED AND SHOULD NOT BE USED WITHOUT WRITTEN PERMISSION	
		1 PLACE ± --- ± ---	DSCHMIDG	02/08/19		
		ANGULAR ±1/2°	APPROVED BY	DATE		
		DRAFT WHERE APPLICABLE	BANAKIS	02/08/19		
		MUST REMAIN WITHIN DIMENSIONS				