

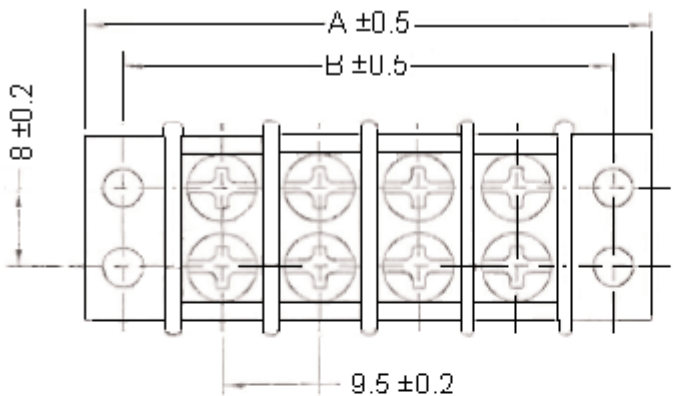


PART NO.

T64 4WAY

REVISIONS

ECN #	REV	DESCRIPTION	DRAWN	DATE	CHECKD	DATE	APPRVD	DATE
-	A	RELEASED	Amudha	2/2/08	Suresh	1/2/08	G. C	15/2/08



Specifications:

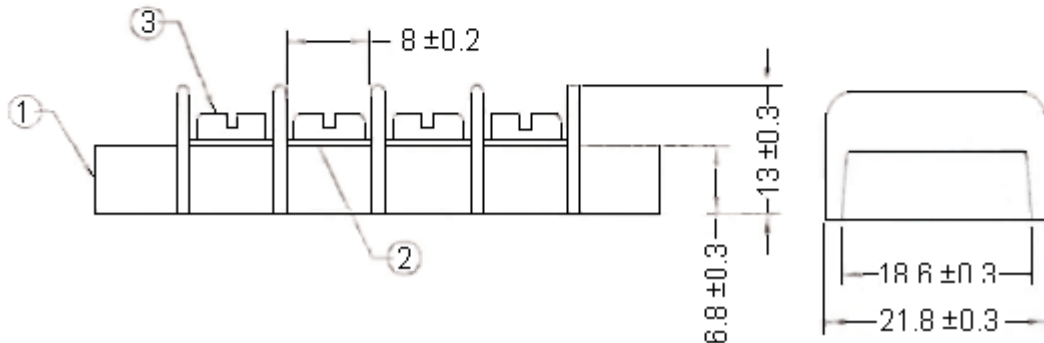
Current Rating : 20A (300V ac).
 Minimum Withstanding Insulation Voltage : 2000V ac.
 Insulation Resistance : >2000MW (500V dc).
 Operating Temperature : -40°C to +105°C.
 Wire range : 12 to 22AWG
 Screw torque : 12lb-inch

Dimensions

Number of Poles	Pitch	A	B
4	9.50	55.20	48.00

Dimensions : Millimetres

All materials are RoHS according EU Standard.



Dimensions : Millimetres

This data sheet and its contents (the "Information") belong to the Premier Farnell Group (the "Group") or are licensed to it. No licence is granted for the use of it other than for information purposes in connection with the products to which it relates. No licence of any intellectual property rights is granted. The Information is subject to change without notice and replaces all data sheets previously supplied. The Information supplied is believed to be accurate but the Group assumes no responsibility for its accuracy or completeness, any error in or omission from it or for any use made of it. Users of this data sheet should check for themselves the Information and the suitability of the products for their purpose and not make any assumptions based on information included or omitted. Liability for loss or damage resulting from any reliance on the Information or use of it (including liability resulting from negligence or where the Group was aware of the possibility of such loss or damage arising) is excluded. This will not operate to limit or restrict the Group's liability for death or personal injury resulting from its negligence. SPC MULTICOMP is the registered trademark of the Group. © Premier Farnell plc 2007.

TOLERANCES:

UNLESS OTHERWISE SPECIFIED, DIMENSIONS ARE FOR REFERENCE PURPOSES ONLY.

DRAWN BY:	DATE:
Amudha	02/02/08
CHECKED BY:	DATE:
Suresh	01/02/08
APPROVED BY:	DATE:
G.Cook	15/02/08

DRAWING TITLE:			
Terminal Block - 4 Way 20A			
SIZE	DWG NO.	ELECTRONIC FILE	REV
A	M10000717	T64-Txx_DWG	A
SCALE: NTS		U.O.M.: mm	SHEET: 1 OF 2



PART NO.

T64 4WAY

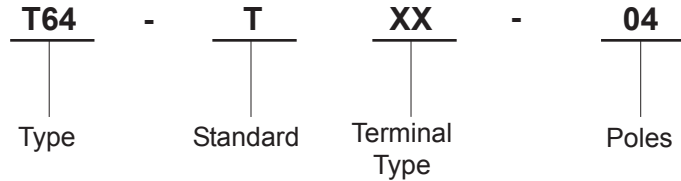
REVISIONS

ECN #	REV	DESCRIPTION	DRAWN	DATE	CHECKD	DATE	APPRVD	DATE
-	A	RELEASED	Amudha	2/2/08	Suresh	1/2/08	G. C	15/2/08

Specification Table

Number	Description	Material	Plating/Finish	Colour	Part Number
1	Insulating Body	PC	-	Black	T64 4WAY
2	Terminal	Brass	Tin Plated	-	
3	Screw	Steel	Ni Plated	-	

Part Number Explanation:



Poles : 04 = 4 poles.

<http://www.farnell.com>

<http://www.newark.com>

<http://www.cpc.co.uk>

This data sheet and its contents (the "Information") belong to the Premier Farnell Group (the "Group") or are licensed to it. No licence is granted for the use of it other than for information purposes in connection with the products to which it relates. No licence of any intellectual property rights is granted. The Information is subject to change without notice and replaces all data sheets previously supplied. The Information supplied is believed to be accurate but the Group assumes no responsibility for its accuracy or completeness, any error in or omission from it or for any use made of it. Users of this data sheet should check for themselves the Information and the suitability of the products for their purpose and not make any assumptions based on information included or omitted. Liability for loss or damage resulting from any reliance on the Information or use of it (including liability resulting from negligence or where the Group was aware of the possibility of such loss or damage arising) is excluded. This will not operate to limit or restrict the Group's liability for death or personal injury resulting from its negligence. SPC MULTICOMP is the registered trademark of the Group. © Premier Farnell plc 2008.

**TOLERANCES:
UNLESS OTHERWISE SPECIFIED, DIMENSIONS ARE FOR REFERENCE PURPOSES ONLY.**

DRAWN BY:	DATE:
Amudha	02/02/08
CHECKED BY:	DATE:
Suresh	01/02/08
APPROVED BY:	DATE:
G.Cook	15/02/08

DRAWING TITLE:			
Terminal Block - 4 Way 20A			
SIZE	DWG NO.	ELECTRONIC FILE	REV
A	M10000717	T64-Txx_DWG	A
SCALE: NTS		U.O.M.: mm	SHEET: 2 OF 2