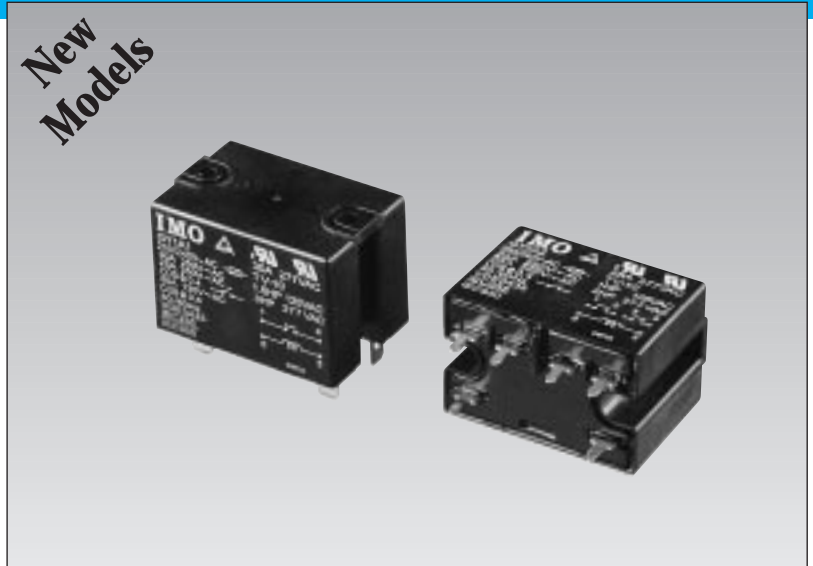
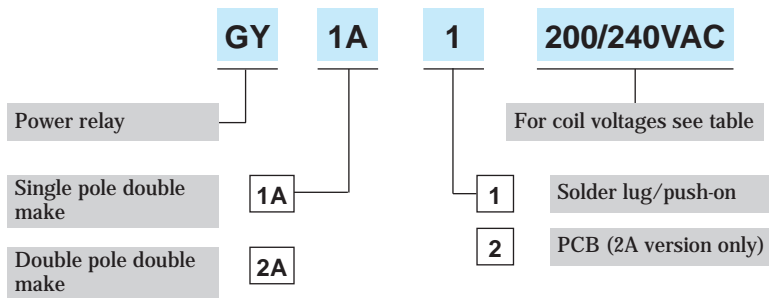


- 30A high capacity relay able to withstand momentary voltage drops to 50% rated
- Manufactured to VDE 0435
- Flame resistant materials used (UL94)
- High operating frequency
- CUR/TUV approvals



Options and ordering codes



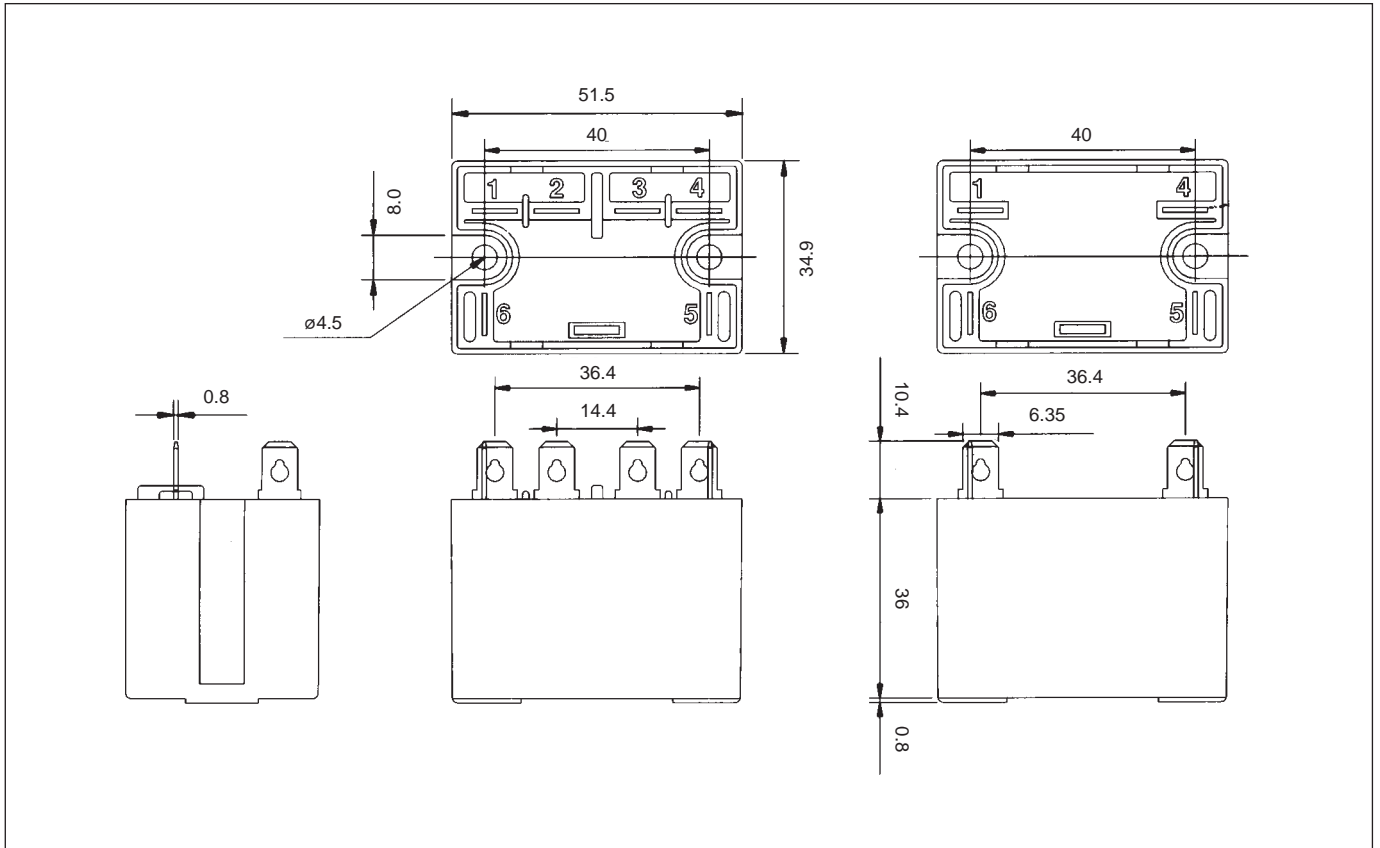
Specification

	GY1A	GY2A
Rated load	Res. 30A, 250VAC/Ind. 25A, 250VAC COS Ø0.4	Res. 25A, 250VAC/Ind. 25A, 250VAC COS Ø0.4
Rated current	30A	25A
Maximum switching voltage	277VAC	
Maximum switching capacity	7500VA	6250VA
Operate time	30ms max	
Release time	30ms max	
Maximum operate frequency	18000 ops./hour mechanical 900 ops./hour @ maximum load	
Dielectric strength	4000V, 50/60Hz for 1 min (coil to contact)	
Ambient operating temperature	-55~+70C (no freezing)	
Mechanical service life	5,000,000 operations min	
Electrical service life	100,000 operations min	
Contact material	AgSnO	
Voltage range	AC80~110%, DC75~110%	
Power consumption	Approx. 1.7VA~2.7VA/1.9W	
Weight	Approx. 90g	

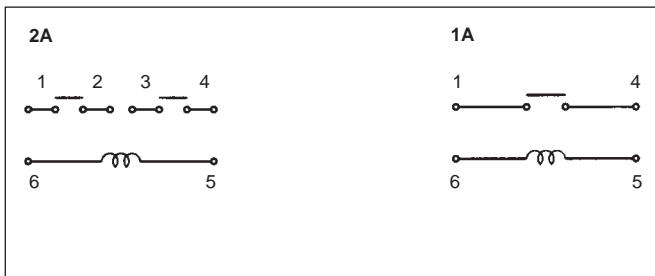
Coil Data

Rated Voltage	AC Coils		DC Coils	
	Coil res. Ohms	Rated current	Coil res. Ohms	Rated current
12	-	138	75	160
24	-	74	300	80
100/120	-	18.7/22.1	6300	17.4
200/240	-	9.1/10.8	-	-

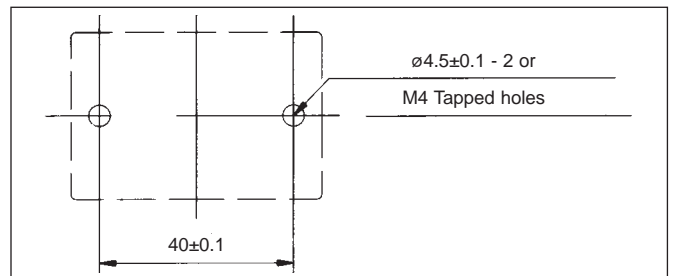
Outline dimensions (mm)



Wiring diagram



Mounting holes (mm)



PCB layout (mm)

