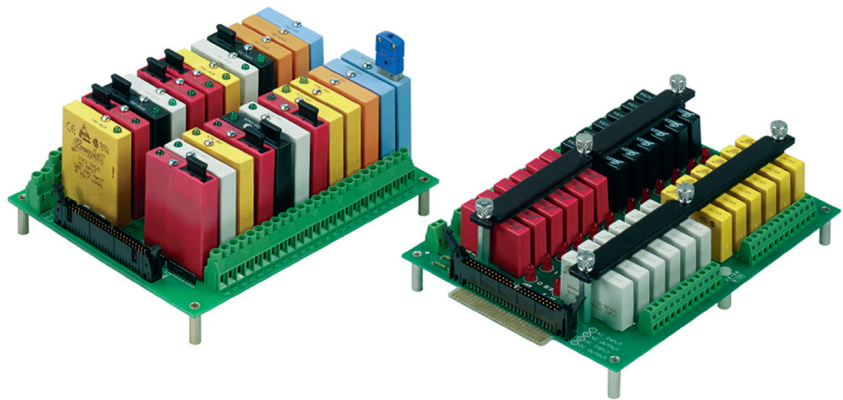


RACKS

24 Channel

FEATURES

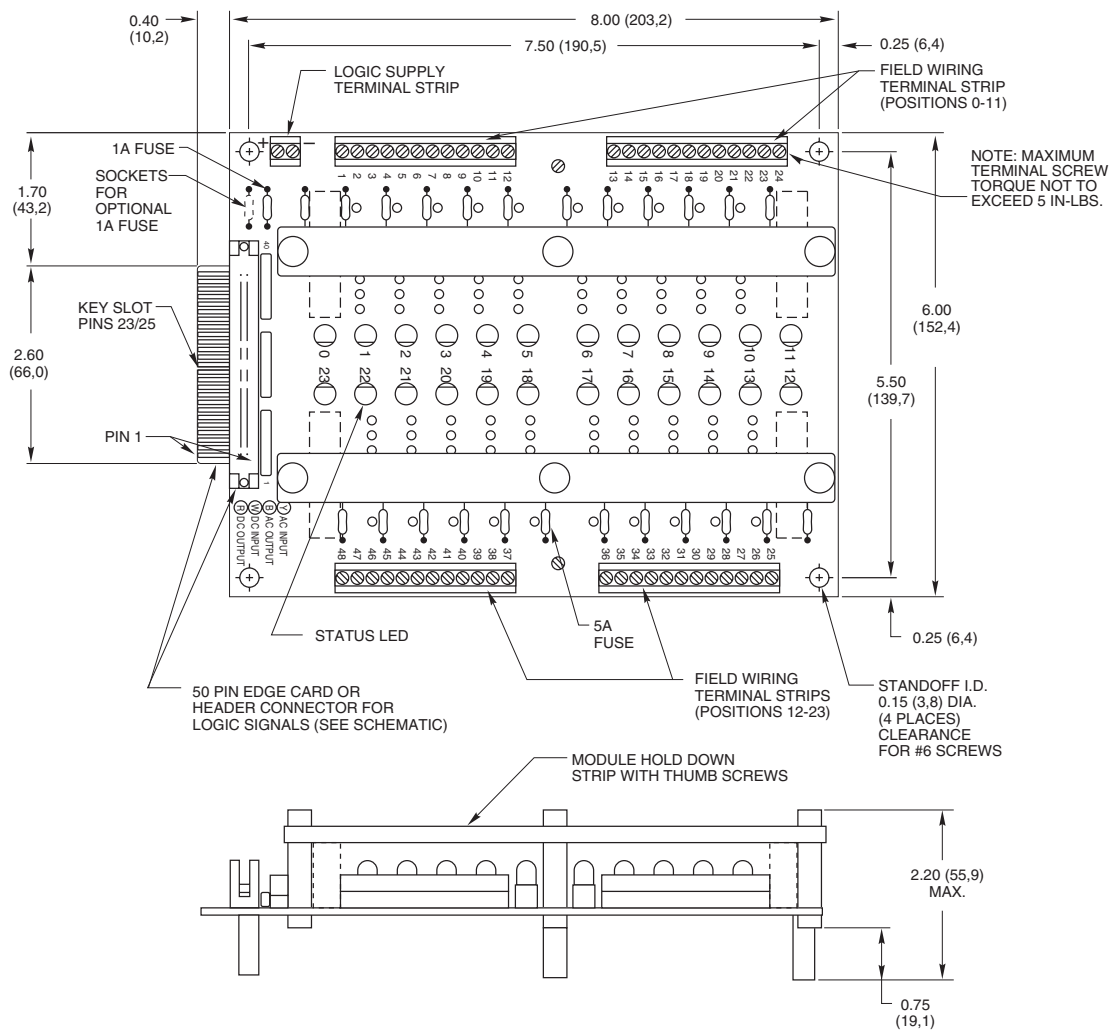
- For use with System 50 Style Controllers
- Available for Miniature, G5 and OpenLine® Modules
- UL, CSA Certified



24 CHANNEL RACK: Miniature

Part No. 70MRCQ24

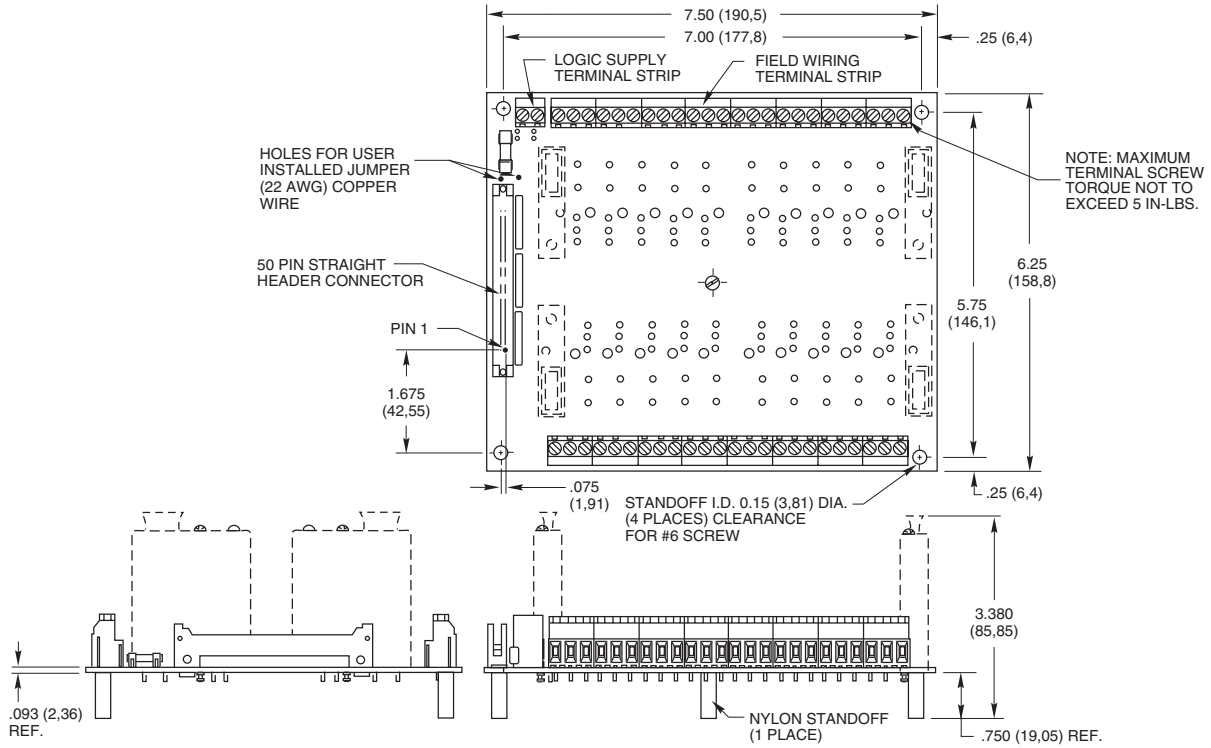
Dimensions are shown in inches (and millimeters).
Tolerances are ± 0.010 (0,25) unless otherwise specified.



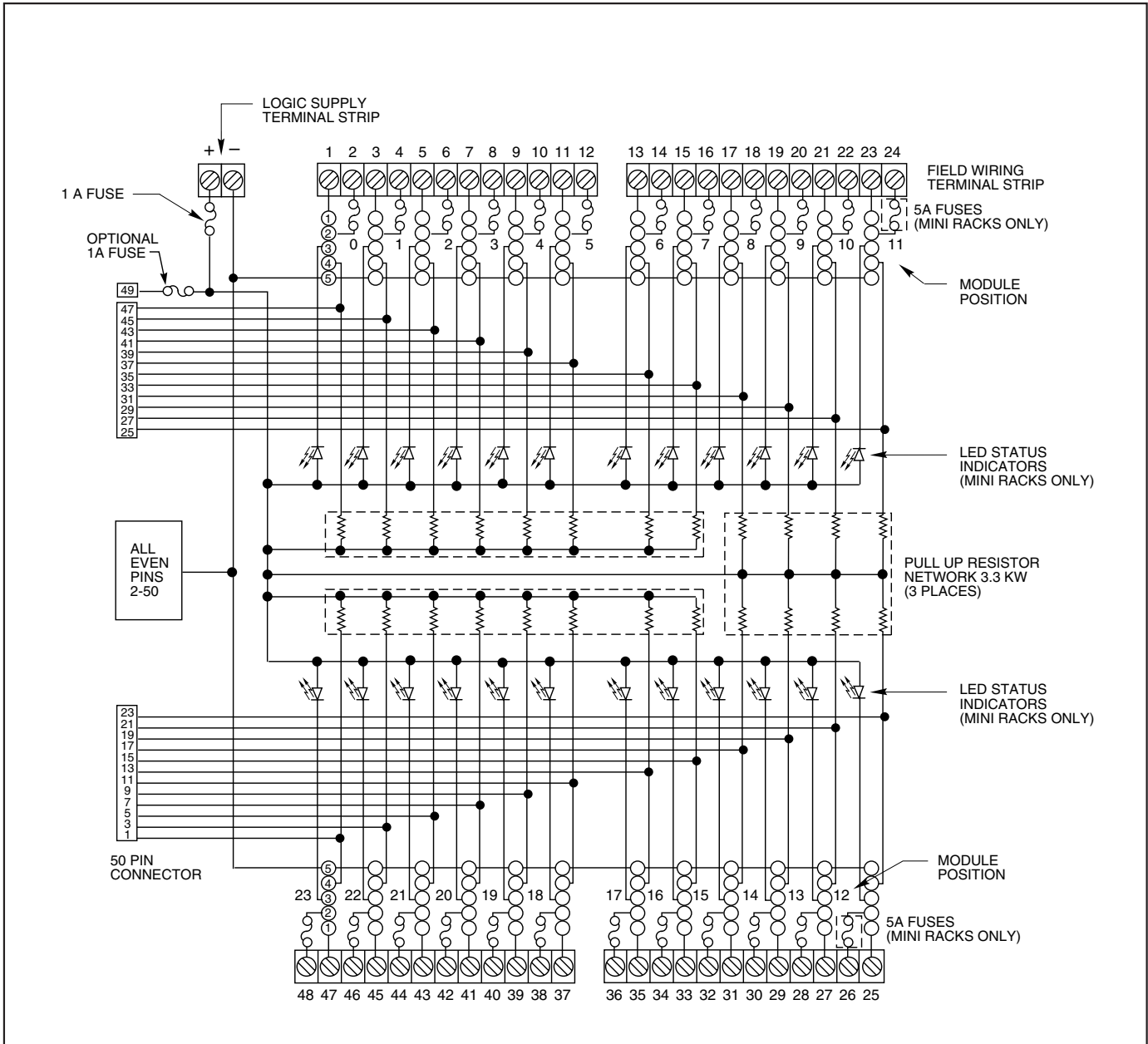
System 50

24 CHANNEL RACK: G5

Part No. 70GRCQ24
 Dimensions are shown in inches
 (and millimeters).
 All tolerances are ± 0.010 (0,25)
 unless otherwise specified.



SCHEMATIC: PART NO. 70MRCQ24 AND 70GRCQ24



ORDERING INFORMATION (modules ordered separately)

Part Number	I/O	Description	UL	CSA	Style
70MRCQ24-EC	24	Card edge	X	X	Mini
70MRCQ24-HL	24	50-pin header with ejector levers	X	X	Mini
70GRCQ24-HL	24	50-pin header with ejector levers	X	X	G5

Available from your local Grayhill Distributor. For prices and discounts, contact a local Sales Office, an authorized local Distributor, or Grayhill.