



**Features**

- Worldwide AC Input Capabilities: 100/120/220/230/240 VAC
- ±0.05% Output Regulation
- Low Output Ripple
- UL, CSA, and TÜV Approvals
- Mean Time Before Failure (MTBF) in Excess of 300,000 Hours
- CE marked to Low Voltage Directive
- 100% Burn-In
- 2 Year Warranty
- Overvoltage Protection (OVP) Standard on 5V Single Outputs, Optional for other outputs under 48V

**Description**

Power-One produces the industry's broadest selection of Linear power supplies with output voltages from 5 volts through 250 volts. Rugged technology and proven design merge to create quiet, highly-regulated, dependable DC power.

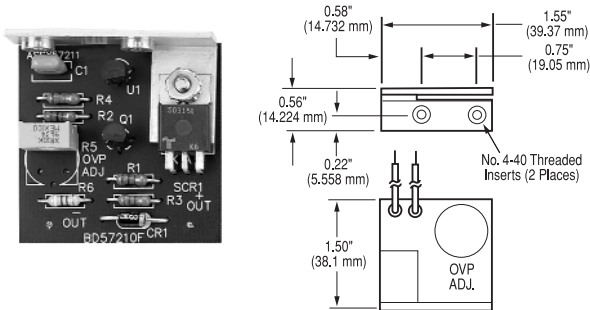
The Linear power supplies are approved to domestic and international regulatory standards, and are CE Marked to the Low Voltage Directive (LVD).

**Overvoltage Protection Options**

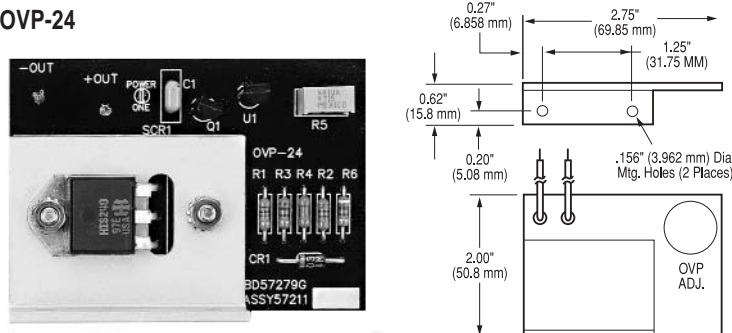
**OVERVOLTAGE PROTECTION OPTIONS**

These optional overvoltage protection modules are offered for use with Power-One's Linear power supplies. Each is user adjustable from 6.4V to 34V.

**OVP-12**



**OVP-24**



**OVP SELECTION GUIDE**

MODEL	CASE SIZE	OVP MODULES REQUIRED
<b>SINGLE OUTPUT</b>	B,C,N,D	(1) OVP-12
	E,F	(1) OVP-24
<b>DUAL OUTPUT</b>	AA,B,BB,CC	(1) OVP-12 protects both outputs
	E	(1) OVP-24 protects both outputs
<b>TRIPLE OUTPUT</b>	AA,BAA,D	(1) OVP-12 protects both 12V
	CBB, 131 DBB,DCC	through 15V outputs
<b>PEAK CURRENT MODELS</b>	N,BAA,CBB	(1) OVP-12 protects any output not provided with built-in OVP
	131, CP340-A CP510-A	

**NOTE:** Outputs with factory built-in OVP are indicated in the Voltage/Current Rating Chart for each model. OVP is not available for 48V through 250V models.

Unsigned output voltages are isolated and can be used as either + or - polarities.

Output Voltage (VDC)	Output Current (Amps)	Model (Input Voltage of 100 to 240VAC)	Case Type	Additional Features & Notes
<b>Single Output Models- 5V to 48Vout</b>				
5	1.5	HA5-1.5/OVP-A	B	A
5	3	HB5-3/OVP-A	B	A, C
5	6	HC5-6/OVP-A	C	A, C
5	9	HN5-9/OVP-A	N	A, C
5	12	HD5-12/OVP-A	D	A, C
5	18	HE5-18/OVP-A	E	A, C
5	25	F5-25/OVP-A	F	A, C, D, H
5	35	G5-35/OVP-A	F	A, C, D, H
5	50	CP197-A	F	A, C, D
12	1.7	HB12-1.7-A	B	C
12	3.4	HC12-3.4-A	C	C
12	5.1	HN12-5.1-A	N	C
12	6.8	HD12-6.8-A	D	C
12	10.2	HE12-10.2-A	E	C
12 to 15	0.9	HA15-0.9-A	B	
12 to 15	16	F15-15-A	F	C, D, H
15	1.5	HB15-1.5-A	B	C
15	3	HC15-3-A	C	C
15	4.5	HN15-4.5-A	N	C
15	6	HD15-6-A	D	C
15	9	HE15-9-A	E	C
24	1.2	HB24-1.2-A	B	C
24	2.4	HC24-2.4-A	C	C
24	3.6	HN24-3.6-A	N	C
24	4.8	HD24-4.8-A	D	C
24	7.2	HE24-7.2-A	E	C
24 to 28	0.5	HA24-0.5-A	B	
24 to 28	12	F24-12-A	F	C, D, H
28	1	HB28-1-A	B	C
28	2	HC28-2-A	C	C
28	3	HN28-3-A	N	C
28	4	HD28-4-A	D	C
28	6	HE28-6-A	E	C
48	0.5	HB48-0.5-A	B	
48	1	HC48-1-A	C	
48	3	HD48-3-A	D	C
48	4	HE48-4-A	E	C

Case Type	Dimensions (Inches)
AA	6.50 x 4.00 x 2.10
B	4.87 x 4.00 x 2.10
BAA	10.25 x 4.00 x 2.95
BB	7.00 x 4.87 x 2.95
C	5.62 x 4.87 x 2.95
CBB	11.00 x 4.87 x 3.28
CC	9.38 x 4.87 x 3.28
CP131	11.00 x 4.87 x 3.28
CP510-A	8.25 x 4.87 x 3.28
D	9.00 x 4.87 x 3.28
DBB	14.25 x 4.87 x 3.38
DCC	15.00 x 4.88 x 4.55
E	14.00 x 4.87 x 3.53
F	16.75 x 4.88 x 5.00
N	7.00 x 4.87 x 3.28

Case Type	Dimensions (Millimeters)
AA	165.10 x 101.60 x 53.34
B	123.70 x 101.60 x 53.34
BAA	260.35 x 101.60 x 74.93
BB	177.80 x 123.70 x 74.93
C	142.75 x 123.70 x 74.93
CBB	279.40 x 123.70 x 83.31
CC	238.25 x 123.70 x 83.31
CP131	279.40 x 123.70 x 83.31
CP510-A	209.55 x 123.70 x 83.31
D	228.60 x 123.70 x 83.31
DBB	361.95 x 123.70 x 85.85
DCC	381.00 x 123.95 x 115.57
E	355.60 x 123.70 x 89.66
F	425.50 x 123.95 x 127.00
N	177.80 x 123.70 x 83.31

(See Additional Features Column)

- A Overvoltage protection, set at 6.2 V ±0.4 V.
- B Non-adjustable 3-terminal regulator.
- C Remote sense provided.
- D With output inhibit and parallel operation master/slave capability.
- E With output inhibit.
- F Adjustable 3-terminal regulator.
- G Can be made into an isolated output by removing jumper W1.
- H Model requires 100 LFM forced-air cooling above 75% of rated output power at 50 degrees C.

Unsigned output voltages are isolated and can be used as either + or - polarities.

Output Voltage (VDC)	Output Current (Amps)	Model (Input Voltage of 100 to 240VAC)	Case Type	Additional Features & Notes
<b>Dual Output Models- 5V to 15Vout</b>				
+5, -5	1.5, 1.5	HAA5-1.5/OVP-A	AA	A
+5, -5	3, 3	HBB5-3/OVP-A	BB	A
+5, -5	6, 6	HCC5-6/OVP-A	CC	A, C
+5, +12	2, 4	CP323-A	N	A, E
+5, +12	6, 2.5	CP510-A	CP510-A	A
5, 12 to 15	2, 0.5	HAA512-A	AA	A, C
5, 12 to 15	3, 1.25	HBB512-A	BB	A, C
5, 12 to 15	6, 2.5	HCC512-A	CC	A, C
+12, -5	1, 0.4	HAA15-0.8-A	AA	C
+12, -5	1.7, 0.7	HBB15-1.5-A	BB	C
+12, -12	0.4, 0.4	HAD12-0.4-A	B	B
+12, -12	1, 1	HAA15-0.8-A	AA	C
+12, -12	1.7, 1.7	HBB15-1.5-A	BB	C
+12, -12	3.4, 3.4	HCC15-3-A	CC	C
+12, -12	5, 5	HDD15-5-A	E	C
+12, -15	1, 0.8	HAA15-0.8-A	AA	C
+12, -15	1.7, 1.5	HBB15-1.5-A	BB	C
+12, -15	3.4, 3	HCC15-3-A	CC	C
+12, -15	5, 5	HDD15-5-A	E	C
+15, -5	0.8, 0.4	HAA15-0.8-A	AA	C
+15, -5	1.5, 0.7	HBB15-1.5-A	BB	C
+15, -12	0.8, 1	HAA15-0.8-A	AA	C
+15, -12	1.5, 1.7	HBB15-1.5-A	BB	C
+15, -12	3, 3.4	HCC15-3-A	CC	C
15, -12	5, 5	HDD15-5-A	E	C
<b>Dual Output Models- 15V to 24Vout</b>				
+15, -15	0.4, 0.4	HAD15-0.4-A	B	B
+15, -15	0.8, 0.8	HAA15-0.8-A	AA	C
+15, -15	1.5, 1.5	HBB15-1.5-A	BB	C
+15, -15	3, 3	HCC15-3-A	CC	C
+15, -15	5, 5	HDD15-5-A	E	C
+18 to +20, -18 to -20	0.4, 0.4	HAA24-0.6-A	AA	
+18 to +20, -18 to -20	0.9, 0.9	HBB24-1.2-A	BB	
+18 to +20, -18 to -20	1.8, 1.8	HCC24-2.4-A	CC	C
+18 to +20, -24	0.4, 0.6	HAA24-0.6-A	AA	
+18 to +20, -24	0.9, 1.2	HBB24-1.2-A	BB	
+18 to +20, -24	1.8, 2.4	HCC24-2.4-A	CC	C
+24, -18 to -20	0.6, 0.4	HAA24-0.6-A	AA	
+24, -18 to -20	1.2, 0.9	HBB24-1.2-A	BB	
+24, -18 to -20	2.4, 1.8	HCC24-2.4-A	CC	C
+24, -24	0.6, 0.6	HAA24-0.6-A	AA	
+24, -24	1.2, 1.2	HBB24-1.2-A	BB	
+24, -24	2.4, 2.4	HCC24-2.4-A	CC	C

Case Type	Dimensions (Inches)
AA	6.50 x 4.00 x 2.10
B	4.87 x 4.00 x 2.10
BAA	10.25 x 4.00 x 2.95
BB	7.00 x 4.87 x 2.95
C	5.62 x 4.87 x 2.95
CBB	11.00 x 4.87 x 3.28
CC	9.38 x 4.87 x 3.28
CP131	11.00 x 4.87 x 3.28
CP510-A	8.25 x 4.87 x 3.28
D	9.00 x 4.87 x 3.28
DBB	14.25 x 4.87 x 3.38
DCC	15.00 x 4.88 x 4.55
E	14.00 x 4.87 x 3.53
F	16.75 x 4.88 x 5.00
N	7.00 x 4.87 x 3.28

Case Type	Dimensions (Millimeters)
AA	165.10 x 101.60 x 53.34
B	123.70 x 101.60 x 53.34
BAA	260.35 x 101.60 x 74.93
BB	177.80 x 123.70 x 74.93
C	142.75 x 123.70 x 74.93
CBB	279.40 x 123.70 x 83.31
CC	238.25 x 123.70 x 83.31
CP131	279.40 x 123.70 x 83.31
CP510-A	209.55 x 123.70 x 83.31
D	228.60 x 123.70 x 83.31
DBB	361.95 x 123.70 x 85.85
DCC	381.00 x 123.95 x 115.57
E	355.60 x 123.70 x 89.66
F	425.50 x 123.95 x 127.00
N	177.80 x 123.70 x 83.31

- (See Additional Features Column)
- A Overvoltage protection, set at 6.2 V ±0.4 V.
  - B Non-adjustable 3-terminal regulator.
  - C Remote sense provided.
  - D With output inhibit and parallel operation master/slave capability.
  - E With output inhibit.
  - F Adjustable 3-terminal regulator.
  - G Can be made into an isolated output by removing jumper W1.
  - H Model requires 100 LFM forced-air cooling above 75% of rated output power at 50 degrees C.

Model numbers highlighted in yellow or shaded are not recommended for new designs.

Unsigned output voltages are isolated and can be used as either + or - polarities.

Output Voltage (VDC)	Output Current (Amps)	Model (Input Voltage of 100 to 240VAC)	Case Type	Additional Features) & Notes	Case Type	Dimensions (Inches)
<b>Triple Output Models- 5V to 24Vout</b>						
+5, -5, 24	6, 1.2, 3.5	CP379-A	CP131	A, C, F, G	AA	6.50 x 4.00 x 2.10
5, +12, -5	3, 1, 0.4	HBAA-40W-A	BAA	A, C	B	4.87 x 4.00 x 2.10
+5, +12 to +15, -5	6, 1, 0.4	HCAA-60W-A	D	A, C	BAA	10.25 x 4.00 x 2.95
+5, +12, 5	6, 5, 0.25	CP498-A	CP131	A, C, F	BB	7.00 x 4.87 x 2.95
5, +12, -5	8, 1.7, 0.7	CP131-A	CP131	A, C	C	5.62 x 4.87 x 2.95
5, +12, -5	12, 1.7, 0.7	HDBB-105W-A	DBB	A, C	CBB	11.00 x 4.87 x 3.28
5, +12 to +15, -5	2, 0.4, 0.4	HTAA-16W-A	AA	A	CC	9.38 x 4.87 x 3.28
5, +12, -5	6, 1.7, 0.7	HCBB-75W-A	CBB	C	CP131	11.00 x 4.87 x 3.28
5, +12, -12	3, 1, 1	HBAA-40W-A	BAA	A, C	CP510-A	8.25 x 4.87 x 3.28
+5, +12 to +15, -12 to -15	6, 1, 1	HCAA-60W-A	D	A, C	D	9.00 x 4.87 x 3.28
+5, +12, 12	6, 5, 0.5	CP498-A	CP131	A, C, F	DBB	14.25 x 4.87 x 3.38
5, +12, -12	6, 1.7, 1.7	HCBB-75W-A	CBB	C	DCC	15.00 x 4.88 x 4.55
5, +12, -12	8, 1.7, 1.7	CP131-A	CP131	A, C	E	14.00 x 4.87 x 3.53
5, +12, -12	12, 1.7, 1.7	HDBB-105W-A	DBB	C	F	16.75 x 4.88 x 5.00
5, +12 to +15, -12 to -15	2, 0.4, 0.4	HTAA-16W-A	AA	A	N	7.00 x 4.87 x 3.28
5, +12, -12	12, 3.4, 3.4	HDCC-150W-A	DCC	A, C		
5, +12, -15	3, 1, 0.8	HBAA-40W-A	BAA	A, C		
5, +12, -15	6, 1.7, 1.5	HCBB-75W-A	CBB	C		
5, +12, -15	8, 1.7, 1.5	CP131-A	CP131	A, C		
5, +12, -15	12, 1.7, 1.5	HDBB-105W-A	DBB	C		
5, +12, -15	12, 3.4, 3	HDCC-150W-A	DCC	A, C		
+5, -12, 24	6, 1.2, 3.5	CP379-A	CP131	A, C, F, G		
5, +15, -5	3, 0.8, 0.4	HBAA-40W-A	BAA	A, C		
5, +15, -5	6, 1.5, 0.7	HCBB-75W-A	CBB	C		
5, +15, -5	8, 1.5, 0.7	CP131-A	CP131	A,		
5, +15, -5	12, 1.5, 0.7	HDBB-105W-A	DBB	C		
5, +15, -12	3, 0.8, 1	HBAA-40W-A	BAA	A, C		
5, +15, -12	6, 1.5, 1.7	HCBB-75W-A	CBB	C		
5, +15, -12	8, 1.5, 1.7	CP131-A	CP131	A, C		
5, +15, -12	12, 1.5, 1.7	HDBB-105W-A	DBB	C		
5, +15, -12	12, 3, 3.4	HDCC-150W-A	DCC	A, C		
5, +15, -15	3, 0.8, 0.8	HBAA-40W-A	BAA	A, C		
5, +15, -15	6, 1.5, 1.5	HCBB-75W-A	CBB	C		
5, +15, -15	8, 1.5, 1.5	CP131-A	CP131	A, C		
5, +15, -15	12, 1.5, 1.5	HDBB-105W-A	DBB	C		
5, +15, -15	12, 3, 3	HDCC-150W-A	DCC	A, C		
<b>Quad Output Models- 5V to 24Vout Models</b>						
+5, +12, -5, +24	6, 1, 0.5, 2.4	CP503-A	CP131	A, H		
+5, +12, -12, +24	6, 1, 1, 2.4	CP503-A	CP131	A, H		

- (See Additional Features Column)
- A Overvoltage protection, set at 6.2 V ±0.4 V.
  - B Non-adjustable 3-terminal regulator.
  - C Remote sense provided.
  - D With output inhibit and parallel operation master/slave capability.
  - E With output inhibit.
  - F Adjustable 3-terminal regulator.
  - G Can be made into an isolated output by removing jumper W1.
  - H Model requires 100 LFM forced-air cooling above 75% of rated output power at 50 degrees C.

Model numbers highlighted in yellow or shaded are not recommended for new designs.

### Input Specifications

PARAMETER	CONDITIONS/DESCRIPTION	MIN	NOM	MAX	UNITS	
Input Voltage - AC (Note 1, 2)	Jumper selectable, shipped factory configured for 120VAC operation. All models must be externally fused for proper operation. Fuse ratings are marked on each unit. Consult factory for each unit's fuse requirements.	100 VAC Tap	87	100	110	VAC
		120 VAC Tap	104	120	132	
		220 VAC Tap	191	220	242	
		240 VAC Tap	209	240	264	
Input Frequency	AC input.	47		63	Hz	
Line Regulation	Output voltage change for a 10% line change: F case models. HAD12, HAD15. Outputs with adjustable three terminal regulators. All other models.		-0.01		+0.01	%
			-1.0		+1.0	
			-0.5		+0.5	
			-0.05		+0.05	

**NOTES:** 1) Derate output current 10% for 50Hz operation.  
2) Input voltage tolerance for 230VAC operation is +15%, -10%.

### Output Specifications

PARAMETER	CONDITIONS/DESCRIPTION	MIN	NOM	MAX	UNITS	
Output Adjustment	Minimum output adjustment range (Note 1).	-5		+5	%	
Efficiency	5 volt outputs. 12 volt and 15 volt outputs. 24 volt and higher outputs.		45		%	
			55			
			60			
Ripple and Noise (Note 2)	F case models. 5 volt, 12 volt, and 15 volt models. All three terminal regulator outputs. 24 volt through 250 volt models.			3.0	mVPK-PK	
				5.0	mVPK-PK	
				0.2	%PK-PK	
			3.0mVPK-PK plus 0.02% of output voltage, max			
Load Regulation	Output change for a 50% load change: F case models. HAD12, HAD15. Outputs with adjustable three terminal regulators. All other models.		-0.02		+0.02	%
			-1		+1	
			-0.5		+0.5	
			-0.05		+0.05	
Transient Response	Recovery time, to within 1% of initial set point due to a 50% load change.			50	μs	

**NOTES:** 1) **OUTPUT VOLTAGE ADJUSTMENTS:** Output voltage adjustments can be made to within ±5% of nominal voltage. Locate the "Vadj" potentiometer on the power supply PCB and use a screwdriver to adjust the output pot. The HAD12 and HAD15 3-terminal regulator outputs are not adjustable.  
2) Full load, 20MHz bandwidth.

### Safety, Regulatory, and EMI Specifications

PARAMETER	CONDITIONS/DESCRIPTION	MIN	NOM	MAX	UNITS
Agency Approvals	UL60950 3rd Edition. CSA 60950 3rd Edition. EN60950 3rd Edition. IEC60950 3rd Edition			Approved	
Dielectric Withstand Voltage	Input to output. Input to ground.	3750			V <sub>RMS</sub>
		3750			
Electromagnetic Interference	FCC CFR title 47 Part 15 Sub-Part B - conducted. EN55022 / CISPR 22 conducted. EN55022 / CISPR 22 radiated.			Compatible with system compliance to Level B.	
Leakage Current	Per EN60950 (264VAC)		23	50	μA

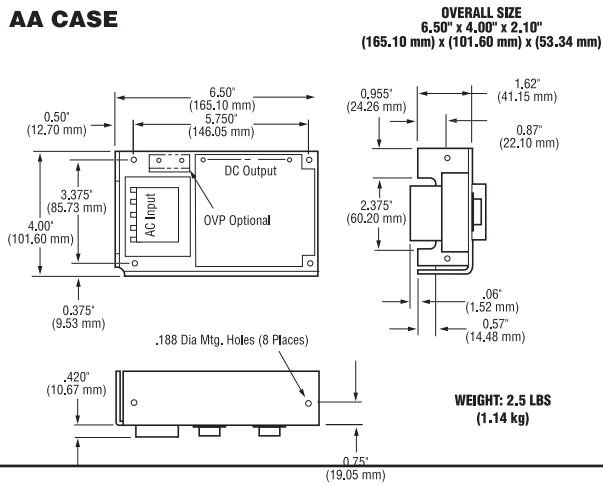
### Interface Signals and Internal Protection

PARAMETER	CONDITIONS/DESCRIPTION	MIN	NOM	MAX	UNITS
Overvoltage Protection	Provided on 5 volt output units where indicated. Other outputs may use optional overvoltage protectors OVP-12 and OVP-24.	5.8		6.6	V
Remote Sense	Total voltage compensation for cable losses with respect to the main output. Provided on models where indicated.			250	mV
Overcurrent/Short Circuit Protection	Automatic current limit/foldback. Rated as a percentage of output power.	115	120	140	%
Master/Slave Operation	For parallel operation of up to 6 units. Master/slave pin provided on F case models only. Contact factory for application notes.				

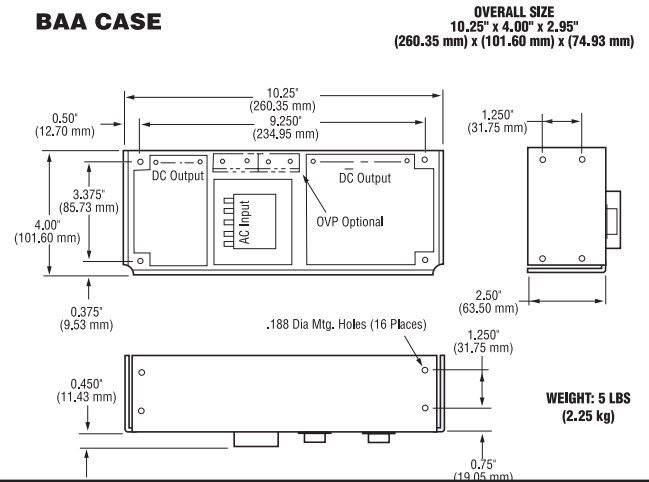
**Environmental Specifications**

PARAMETER	CONDITIONS/DESCRIPTION	MIN	NOM	MAX	UNITS
Operating Temperature	Derate output power linearly above 50°C by 3% per °C. At 100% load At 40% load	0		50	°C
				70	°C
Storage Temperature		-40		85	°C
Temperature Coefficient	0°C to 50°C (after 15 minute warm-up). 24 hours after warm-up.	-0.3	0.1	0.3	%/°C
				+0.3	%
Shock	Operating.			20	GPK
Vibration	Random vibration from 10 Hz to 2 kHz, 3 axis.			6.15	GRMS
Relative Humidity	Non-Condensing.	5		95	%RH

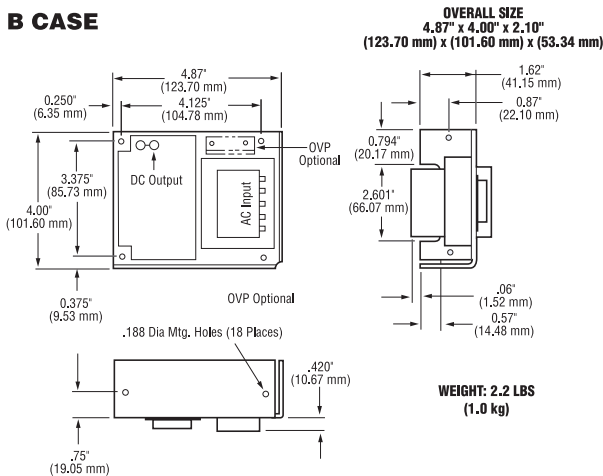
**AA CASE**



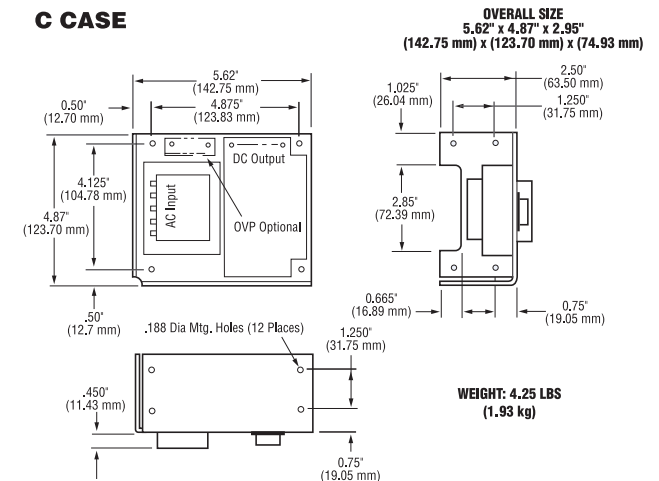
**BAA CASE**



**B CASE**

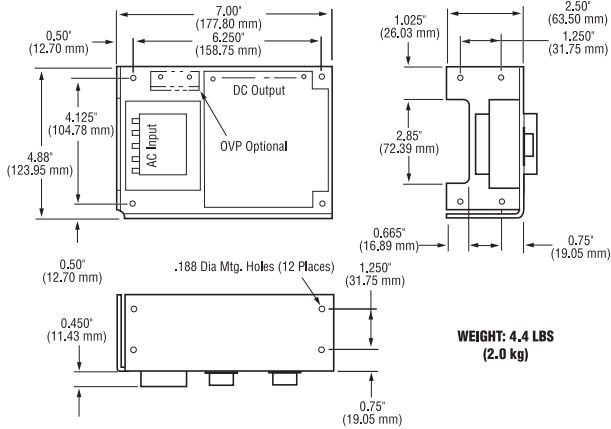


**C CASE**



**BB CASE**

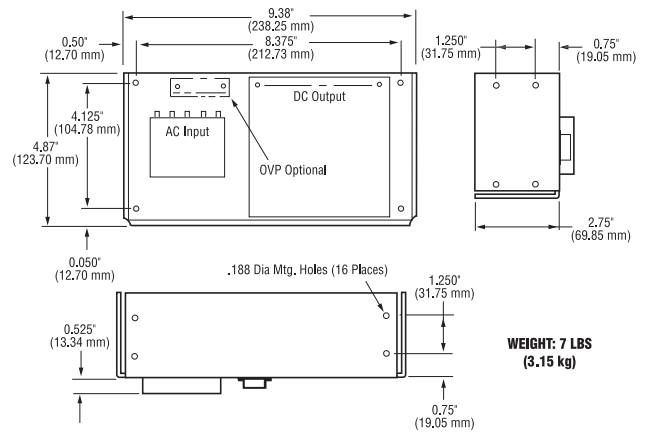
**OVERALL SIZE**  
7.00" x 4.87" x 2.95"  
(177.80 mm) x (123.70 mm) x (74.93 mm)



**WEIGHT: 4.4 LBS**  
(2.0 kg)

**CC CASE**

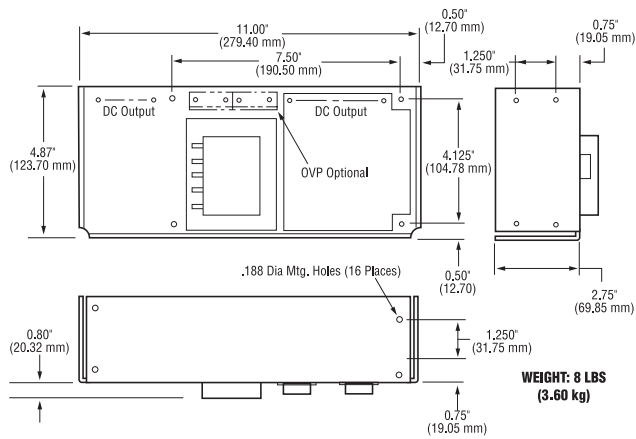
**OVERALL SIZE**  
9.38" x 4.87" x 3.28"  
(238.25 mm) x (123.70 mm) x (83.31 mm)



**WEIGHT: 7 LBS**  
(3.15 kg)

**CBB CASE**

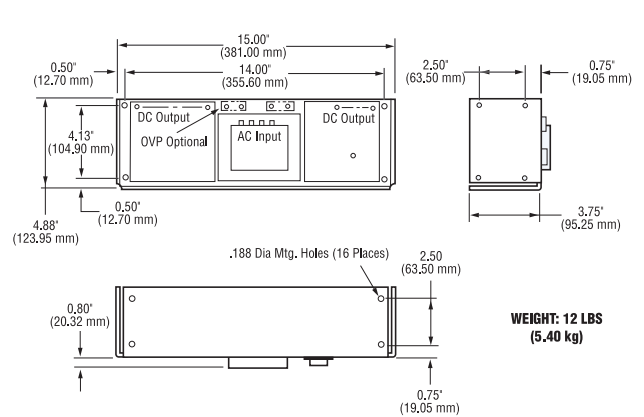
**OVERALL SIZE**  
11.00" x 4.87" x 3.28"  
(279.40 mm) x (123.70 mm) x (83.31 mm)



**WEIGHT: 8 LBS**  
(3.60 kg)

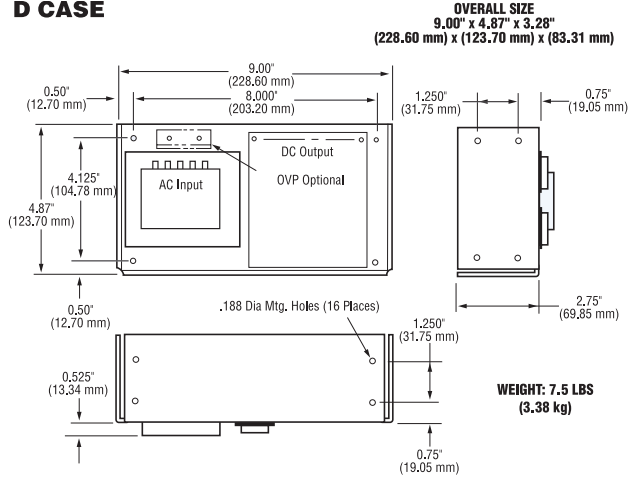
**DCC CASE**

**OVERALL SIZE**  
15.00" x 4.88" x 4.55"  
(381.00 mm) x (123.95 mm) x (115.57 mm)

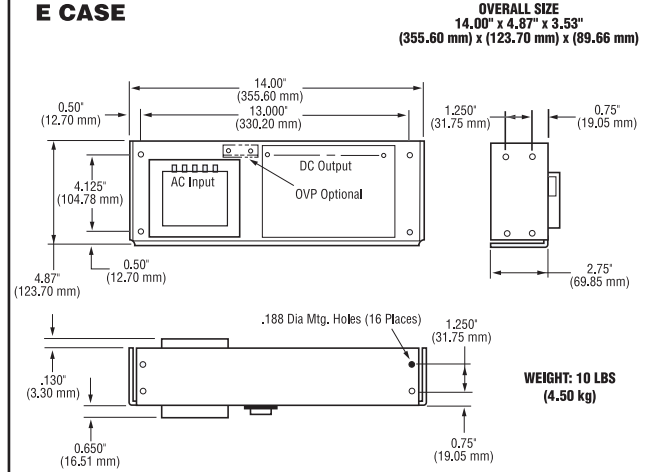


**WEIGHT: 12 LBS**  
(5.40 kg)

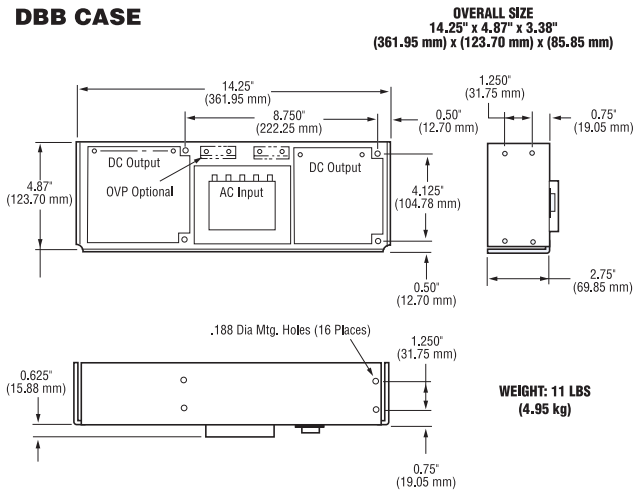
**D CASE**



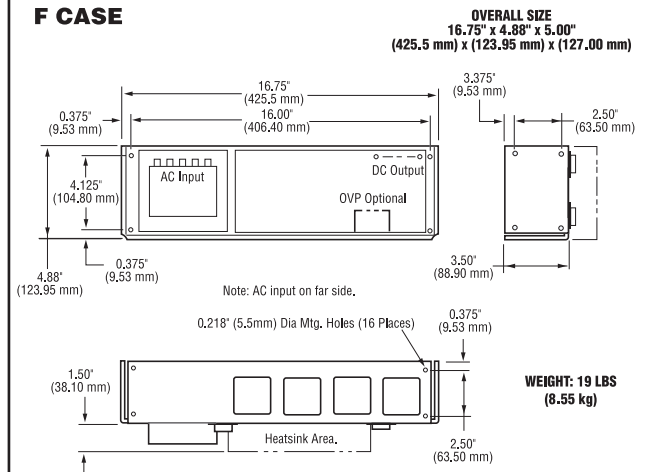
**E CASE**



**DBB CASE**



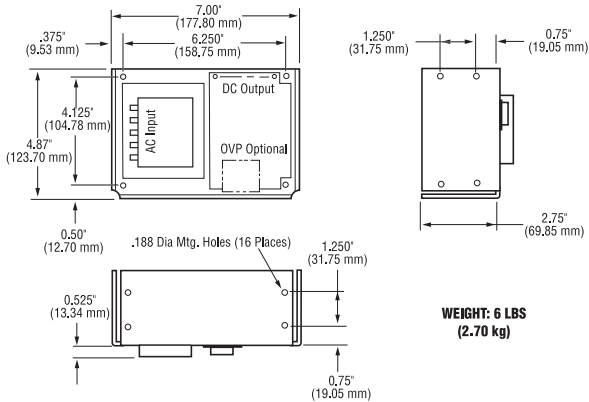
**F CASE**





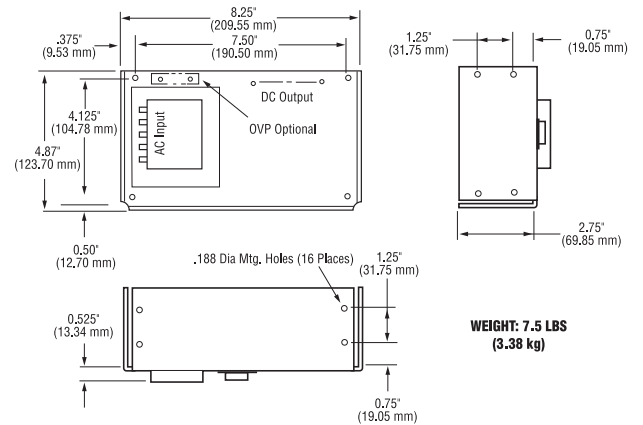
**N CASE**

**OVERALL SIZE**  
7.00" x 4.87" x 3.28"  
(177.80 mm) x (123.70 mm) x (83.31 mm)



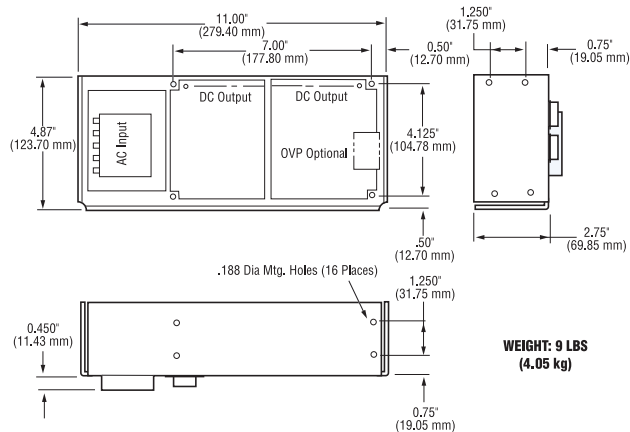
**CP510-A CASE**

**OVERALL SIZE**  
8.25" x 4.87" x 3.28"  
(209.55 mm) x (123.70 mm) x (83.31 mm)



**CP131 CASE**

**OVERALL SIZE**  
11.00" x 4.87" x 3.28"  
(279.40 mm) x (123.70 mm) x (83.31 mm)



**NUCLEAR AND MEDICAL APPLICATIONS** - Power-One products are not designed, intended for use in, or authorized for use as critical components in life support systems, equipment used in hazardous environments, or nuclear control systems without the express written consent of the respective divisional president of Power-One, Inc.

**TECHNICAL REVISIONS** - The appearance of products, including safety agency certifications pictured on labels, may change depending on the date manufactured. Specifications are subject to change without notice.