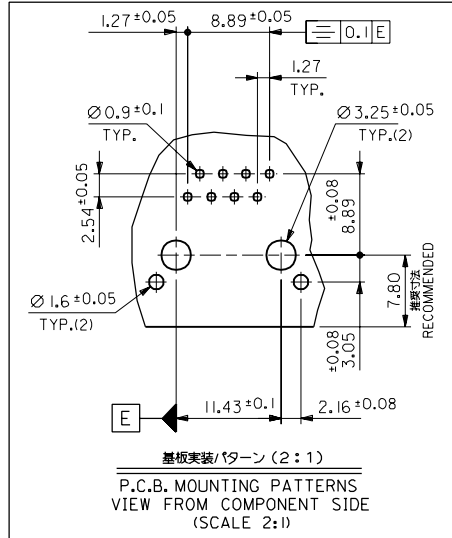


DWG. NO. SD-95122-007
 E
 D
 V
 C
 B
 DO NOT SCALE DRAWING

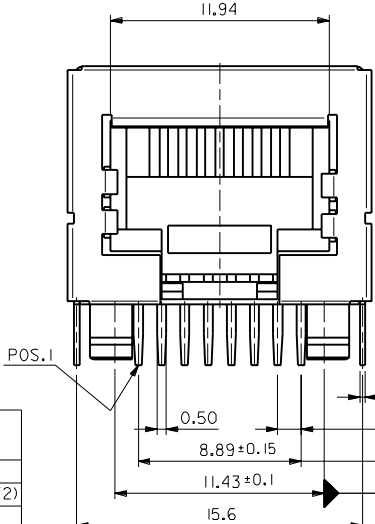
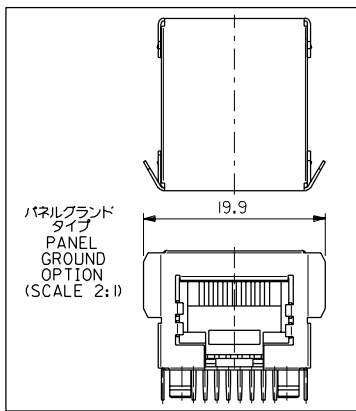
技術仕様 TECHNICAL SPECIFICATIONS :

材料 MATERIAL :
 ハウジング タイプ1: ガラス入りポリエステル UL94V-0 (色:黒)
 HOUSING TYPE 1: POLYESTER GLASS FILLED UL 94V0
 COLOR BLACK
 ハウジング タイプ2: 耐熱性ガラス入りポリアミド UL94V-0 (色:黒)
 HOUSING TYPE 2: POLYAMIDE HIGH TEMPERATURE GLASS
 FILLED UL 94V0 COLOR BLACK
 ターミナル: リン青銅 接点部一金メッキ 0.00127mm MIN.
 半田付け部一金メッキ 0.0019mm MIN.
 下地-ニッケルメッキ 0.00127mm MIN.
TERMINAL : PHOSPHOR BRONZE PLATED WITH
 0.00127 MIN. GOLD IN CONTACT AREA.
 0.00190 MIN. (90/10) TIN/LEAD IN TAIL AREA.
 BOTH OVER 0.00127 MIN. NICKEL OVERALL
シールド : 黄銅 半田メッキ 0.002mm MIN.
SHIELD : BRASS PLATED WITH 0.0020 MIN. TIN/LEAD



GENERAL TOLERANCES: (UNLESS SPECIFIED) 一般公差	
3 PLACE	±
2 PLACE	+0.25
1 PLACE	+0.35

ENG. NO.	POSITION HOUSING SIZE	ハウジングタイプ HOUSING MATERIAL TYPE	極数 LOADED CKTS	パネルグラウンド PANEL GROUND	ツール TOOLED	梱包仕様書 PACKAGING SPECIFICATION PK-95122
95122-2881	8	1	8	NO	YES	TRAY (SHEET 1)
95122-2882				YES	YES	BLISTER (SHEET 2)
95122-2883				NO	YES	TRAY (SHEET 1)



注記 NOTES

- 嵌合相手 : 95043シリーズ
JACK FOR MATING WITH SHIELDED PLUG
MOLEX 95043 SERIES.
- 製品仕様書 : PS-95122-008
PRODUCT SPECIFICATION : MOLEX PS-95122-008
- アプリケーション仕様書 : AS-95001
APPLICATION SPECIFICATION : MOLEX AS-95001
- 梱包仕様書 : PK-95122 (表参照)
PACKAGING SPECIFICATION : MOLEX PK-95122 (SEE CHART)
- 基板厚さ : 1.57mm
P.C.BOARD THICKNESS : 1.57

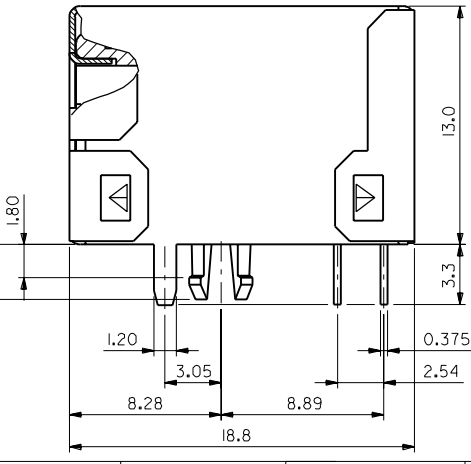
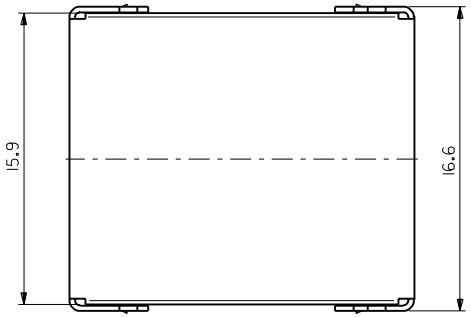


FIG. NO.	DRWN:	CHK:	APPR:
8			
7			

REV	DESCRIPTION
0	RELEASED REASON: JC2000-0852 DRWN: T.YASUI '00/6/21 CHK: T.YAMAGUCHI APPR: M.FUKUSHIMA 6/21

MATERIAL	FINISH	WIRE RANGE	INS. RANGE
材料	仕上げ	通所電線番号	被覆外径
	//	//	//

GENERAL TOLERANCES: (UNLESS SPECIFIED) 一般公差	
10 UNDER 未満	+0.2
10 OVER 以上	+0.25
30 OVER 以上	+0.3
ANGLE 角度	+3°

95122-****		MODEL NO.	DIMENSIONS:		SHT	REV
SCALE 4:1	DESIGN UNITS mm INCH	78880	<input type="checkbox"/> mm	<input type="checkbox"/> INCH	1	REVISE ON CAD ONLY
DRAWN BY & DATE T.YASUI '00/6/21		TITLE: FULLY SHIELDED R/A MODULAR JACK 8 CKTS THROUGH HOLE - VERSION A				
CHECKED BY & DATE T.YAMAGUCHI '00/6/21		MOLLEX MOLEX INCORPORATED				
APPROVED BY & DATE M.FUKUSHIMA '00/6/21		CAD FILENAME 95122007.S01	MATERIAL NO. //	DRAWING NO. SD-95122-007	SHEET NO. 1 OF 3	SIZE B
78888 DRAWING CONTAINS INFORMATION THAT IS PROPRIETARY TO MOLEX INCORPORATED AND SHOULD NOT BE USED WITHOUT WRITTEN PERMISSION.						EN-02J(097) MXJ-54

95122007.S01

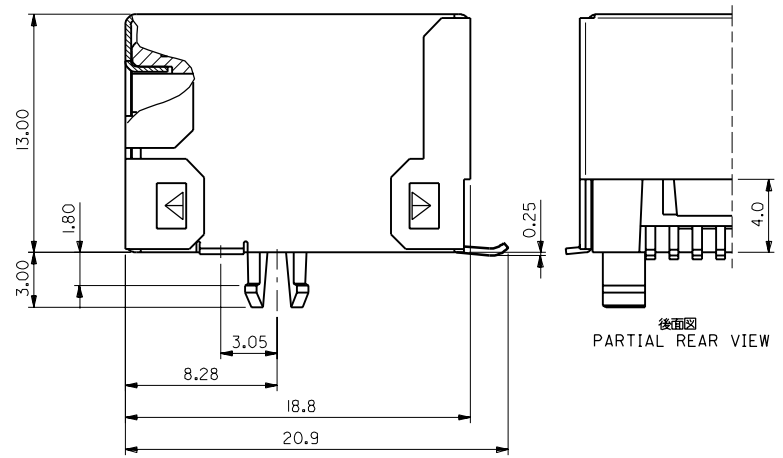
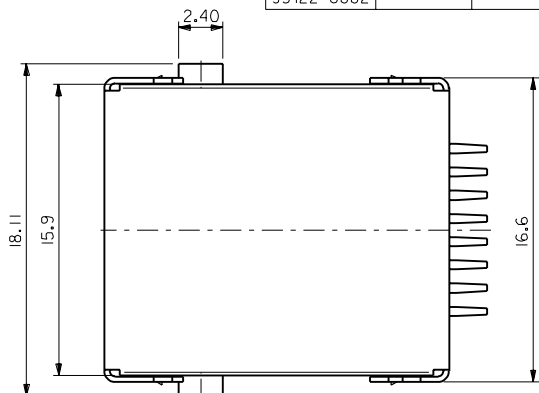
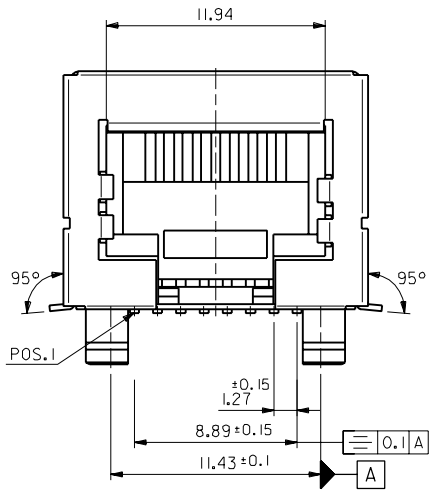
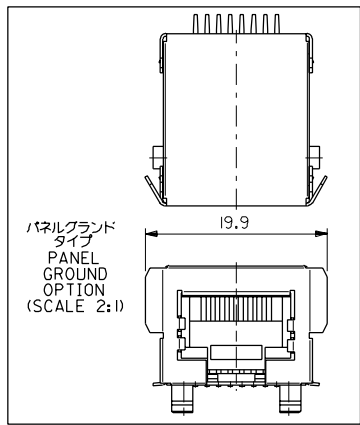
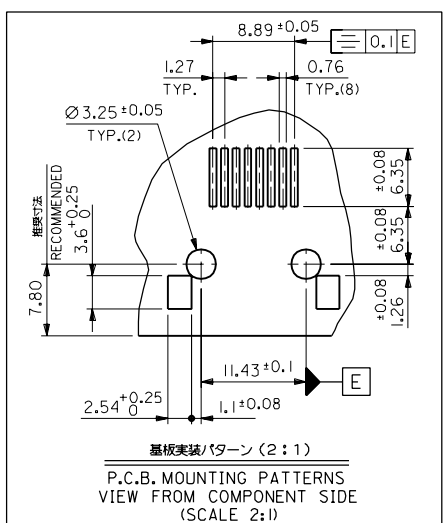
DWG. NO. SD-95122-007

技術仕様 TECHNICAL SPECIFICATIONS :

材料 MATERIAL :
 ハウジング : ガラス入りポリアミド UL94V-0 (色:黒)
 HOUSING : POLYAMIDE GLASS FILLED UL 94V0, COLOR BLACK
 ターミナル : リン青銅, 接点部一金メッキ 0.00127mm MIN.
 半田付け部一金メッキ 0.0019mm MIN.
 下地ニッケルメッキ 0.00127mm MIN.
 TERMINAL : PHOSPHOR BRONZE PLATED WITH
 0.00127 MIN. GOLD IN CONTACT AREA.
 0.00190 MIN. (90/10) TIN/LEAD IN TAIL AREA.
 BOTH OVER 0.00127 MIN. NICKEL OVERALL
 シェル : 黄銅, 半田メッキ 0.002mm MIN.
 SHIELD : BRASS PLATED WITH 0.0020 MIN. TIN/LEAD

注記 NOTES

1. 嵌合相手 : 95043シリーズ
 JACK FOR MATING WITH SHIELDED PLUG MOLEX 95043 SERIES.
2. 製品仕様書 : PS-96122-008
 PRODUCT SPECIFICATION : MOLEX PS-95122-008
3. アプリケーション仕様書 : AS-95001
 APPLICATION SPECIFICATION : MOLEX AS-95001
4. 梱包仕様書 : PK-95122 (プリアスターパッケージ)
 PACKAGING SPECIFICATION : MOLEX PK-95122 SHEET 2
 (BLISTER PACKAGING ON REEL)
5. 基板厚さ : 1.57mm
 P.C.BOARD THICKNESS : 1.57
6. テール平坦度 : 0.15mm MAX.
 COPLANARITY OF TAILS : 0.15 MAX.



ENG. NO.	POSITION HOUSING SIZE	種数 LOADED CKTS	パネルグラウンド PANEL GROUND	ツール TOOLED
95122-6881	8	8	NO	YES
95122-6882	8	8	YES	YES

GENERAL TOLERANCES: (UNLESS SPECIFIED)	
3 PLACE	*
2 PLACE	+0.25
1 PLACE	+0.35

DO NOT SCALE DRAWING

DESIGN NO.	DRWNG.	CHK'G.	APPR'G.
DESIGN NO.	DRWNG.	CHK'G.	APPR'G.
DESIGN NO.	DRWNG.	CHK'G.	APPR'G.
DESIGN NO.	DRWNG.	CHK'G.	APPR'G.

RELEASED
 06NO. JC2000-0852
 DRWNG: T.YASUI '00/6/21
 CHK'G: T.YAMAGUCHI
 APPR'G: M.FUKUSHIMA 6/21

MATERIAL	FINISH	WIRE RANGE	INS. RANGE
図中参照 SEE DRAWING	//	//	//

GENERAL TOLERANCES: (UNLESS SPECIFIED)	ANGLE
10 UNDER 未滿 +0.2	角度
10 OVER 以上 +0.25	
30 OVER 以上 +0.3	

95122-****	MODEL NO.	DIMENSIONS:	SHT	REV
SCALE 4:1	DESIGN UNITS	mm INCH	mm ONLY	mm ONLY
PROJECTION	TITLE: FULLY SHIELDED R/A MODULAR JACK 8 CKTS SMT			
DRAWN BY & DATE T.YASUI '00/6/21	CHECKED BY & DATE T.YAMAGUCHI '00/6/21			
APPROVED BY & DATE M.FUKUSHIMA '00/6/21	MATERIAL NO. //	DRAWING NO. SD-95122-007	SHEET NO. 2 OF 3	SIZE B
CAD FILENAME 95122007.S02	THIS DRAWING CONTAINS INFORMATION THAT IS PROPRIETARY TO MOLEX INCORPORATED AND SHOULD NOT BE USED WITHOUT WRITTEN PERMISSION.			

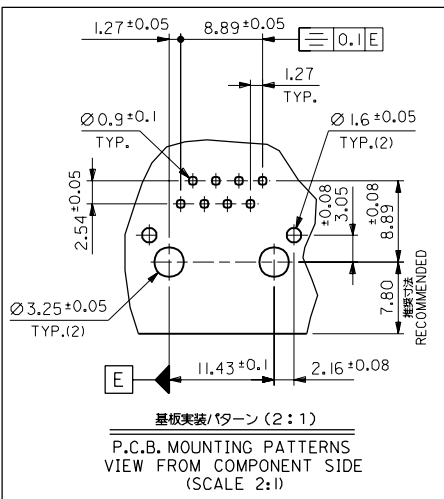
EN-02J(097) MXJ-54

95122007.S02

DWG. NO. SD-95122-007

技術的仕様
TECHNICAL SPECIFICATIONS :

材料 MATERIAL :
ハウジング : ガラス入りポリエステル UL94V-0 (色:黒)
HOUSING : POLYESTER GLASS FILLED UL 94V0
COLOR BLACK
ターミナル : リン青銅, 接点部一金メッキ 0.00127mm MIN.
半田付ワザ部-半田メッキ 0.0019mm MIN.
下地-ニッケルメッキ 0.00127mm MIN.
TERMINAL : PHOSPHOR BRONZE PLATED WITH
0.00127 MIN. GOLD IN CONTACT AREA.
0.00190 MIN. (90/10) TIN/LEAD IN TAIL AREA.
BOTH OVER 0.00127 MIN. NICKEL OVERALL
シールド : 黄銅, 半田メッキ 0.002mm MIN.
SHIELD : BRASS PLATED WITH 0.0020 MIN. TIN/LEAD

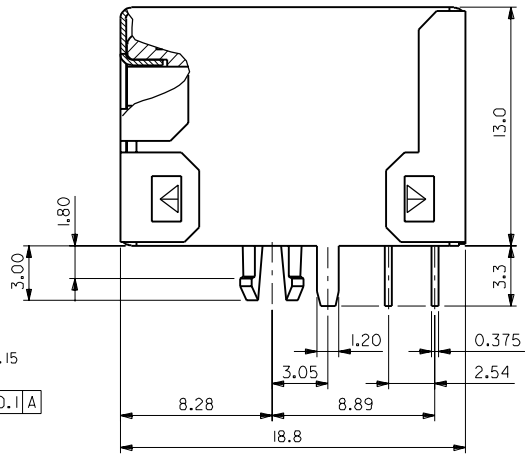
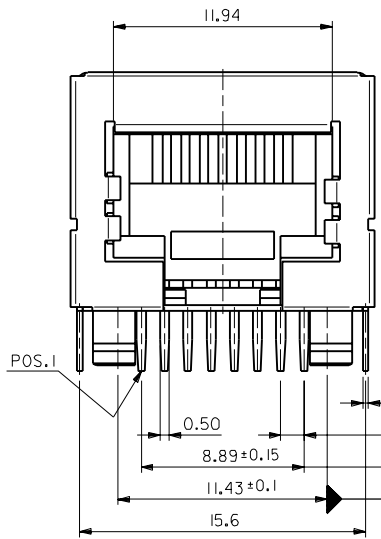
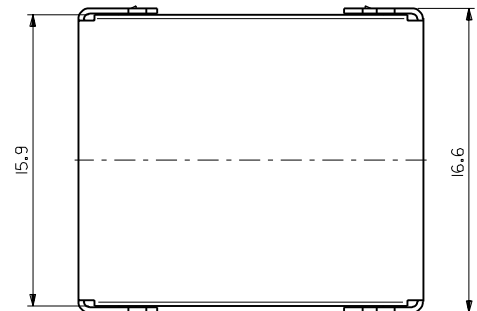


GENERAL TOLERANCES: (UNLESS SPECIFIED) 一般公差	
3 PLACE	±
2 PLACE	+0.25
1 PLACE	+0.35

注記 NOTES

- 嵌合相手 : 95043シリーズ
JACK FOR MATING WITH SHIELDED PLUG
MOLEX 95043 SERIES.
- 製品仕様書 : PS-95122-008
PRODUCT SPECIFICATION : MOLEX PS-95122-008
- アプリケーション仕様書 : AS-95001
APPLICATION SPECIFICATION : MOLEX AS-95001
- 梱包仕様書 : PK-95122
PACKAGING SPECIFICATION : MOLEX PK-95122 SHEET 1
- 基板厚さ : 1.57mm
P.C.BOARD THICKNESS : 1.57

ENG. NO.	ポジション HOUSING SIZE	極数 LOADED CKTS	パネルグラウンド PANEL GROUND	ツール TOOLED
95122-2885	8	8	NO	YES



DO NOT SCALE DRAWING

DESIGN NO.	DRWNG.	CHK'G.	APPR.	DESIGN NO.	DRWNG.	CHK'G.	APPR.	DESIGN NO.	DRWNG.	CHK'G.	APPR.	DESIGN NO.	DRWNG.	CHK'G.	APPR.	REV
0604				0603				0602				0601				0

REV	DESCRIPTION	WIRE RANGE 適用電線範囲	INS. RANGE 被覆外径
0	図中参照 SEE DRAWING	//	//

GENERAL TOLERANCES: (UNLESS SPECIFIED) 一般公差	
10 UNDER 未満	+0.2
10 OVER 以上	+0.25
30 OVER 以上	+0.3
ANGLE 角度	+3°

95122-****		MODEL NO.	DIMENSIONS:	SHT	REV
SCALE 4:1	DESIGN UNITS <input checked="" type="checkbox"/> mm <input type="checkbox"/> INCH	PROJECTION <input checked="" type="checkbox"/> 1ST ANGLE	<input type="checkbox"/> mm <input type="checkbox"/> INCH <input checked="" type="checkbox"/> mm ONLY	2	0
DRAWN BY & DATE T.YASUI '00/6/21		TITLE: FULLY SHIELDED R/A MODULAR JACK 8 CKTS THROUGH HOLE - VERSION B			
CHECKED BY & DATE T.YAMAGUCHI '00/6/21		MATERIAL NO. //			
APPROVED BY & DATE M.FUKUSHIMA '00/6/21		DRAWING NO. SD-95122-007			
CAD FILENAME 95122007.S03		SHEET NO. 3 OF 3		SIZE B	

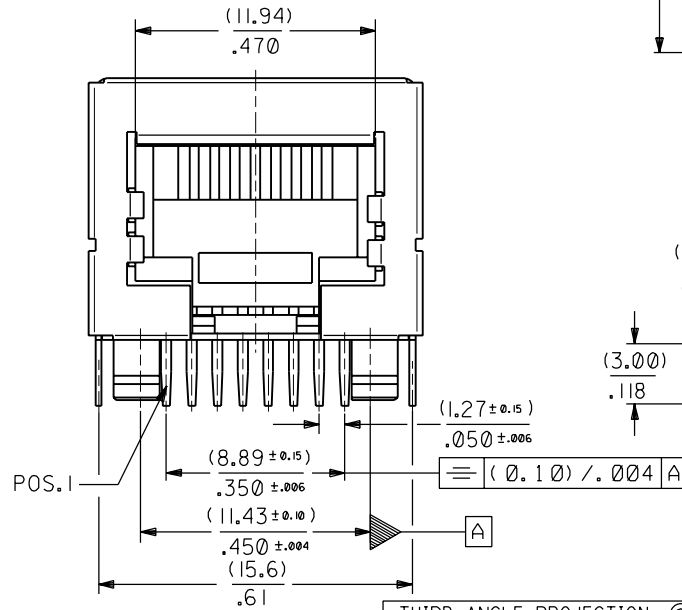
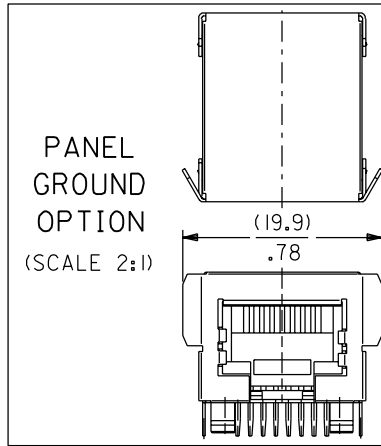
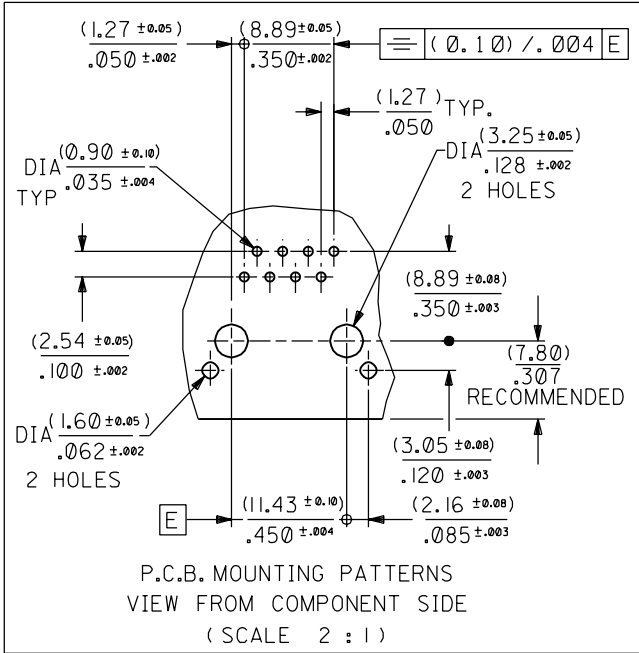
THIS DRAWING CONTAINS INFORMATION THAT IS PROPRIETARY TO MOLEX INCORPORATED AND SHOULD NOT BE USED WITHOUT WRITTEN PERMISSION.

PART NO. SEE CHART
 DWG. NO. SDA-95122

TECHNICAL SPECIFICATIONS:

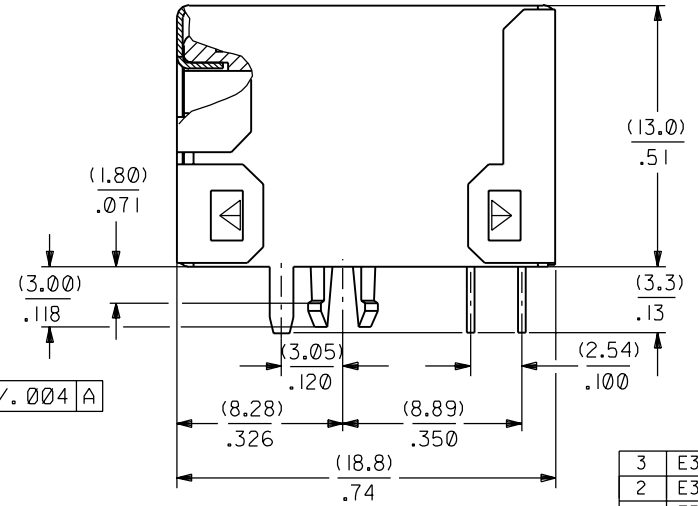
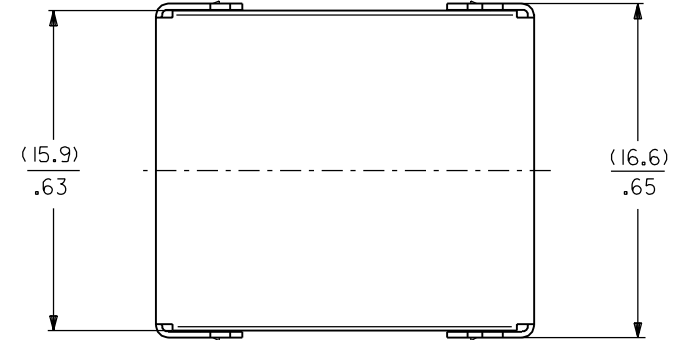
MATERIAL :

HOUSING TYPE 1: POLYESTER GLASS FILLED UL 94V0
 COLOR BLACK
 HOUSING TYPE 2: POLYAMIDE HIGH TEMPERATURE GLASS
 FILLED UL 94V0 COLOR BLACK
 TERMINAL : PHOSPHOR BRONZE PLATED WITH :
 (0.00127)/.000050 MIN. GOLD IN CONTACT AREA,
 (0.00190)/.000075 MIN. (90/10) TIN/LEAD IN TAIL AREA,
 BOTH OVER (0.00127)/.000050 MIN. NICKEL OVERALL
 SHIELD : BRASS PLATED WITH (0.0020)/.000078 MIN. TIN/LEAD



NOTES:

- 1- JACK FOR MATING WITH SHIELDED PLUG MOLEX 95043 SERIES.
- 2- PRODUCT SPECIFICATION: MOLEX PS-95122.
- 3- APPLICATION SPECIFICATION: MOLEX AS-95001.
- 4- PACKAGING SPECIFICATION: MOLEX PK-95122 (SEE CHART)
- 5- P.C. BOARD THICKNESS : (1.57)/.062



ENG. N°	HOUSING SIZE	HOUSING MATERIAL TYPE	LOADED CKTS	PANEL GROUND	TOOLED	PACKAGING SPECIFICATION PK-95122
95122-2881	8	1	8	NO	YES	TRAY (SHEET 1)
95122-2882				YES	YES	BLISTER (SHEET 2)
95122-2883		2	NO	YES	TRAY (SHEET 1)	

REVISIONS		THIRD ANGLE PROJECTION		REVISE ONLY ON CAD SYSTEM	
ECN	MG2002-0099	DRWG BY	GP	SIGN	CAD/CAM PROJECT NAME
Er	01-08-16	CHK'D BY	FB	SIGN	TITLE
LTR		APP'D BY	JB	SIGN	FULLY SHIELDED R/A MODULAR JACK 8 CKTS THROUGH HOLE - VERSION A
FOR PREVIOUS REVISIONS SEE MAT. LIST		UNLESS OTHERWISE SPECIFIED TOLERANCES: ANGULAR ±2°		THIS DRAWING CONTAINS INFORMATION THAT IS PROPRIETARY TO MOLEX INC. & SHOULD NOT BE USED WITHOUT WRITTEN PERMISSION	
		3 PLACE ± .010 ±		SHEET NO. DATE	
		2 PLACE ± .014 ± 0.25		1 OF 3 93/04/20	
		1 PLACE ± ± 0.35		PART NO. SEE CHART	
		DRAFT WHERE APPLICABLE MUST REMAIN WITHIN DIMENSIONS		DWG NO. SDA-95122	
		DESIGN DIMENSION <input checked="" type="checkbox"/> MM <input type="checkbox"/> IN.		SCALE 4:1	
		EQUIVALENT DIMENSION <input type="checkbox"/> MM <input checked="" type="checkbox"/> IN.		SIZE B	
		IF TWO DIMENSIONS ARE SHOWN THE UPPER IS THE DESIGN DIMENSION, LOWER IS SECONDARY			