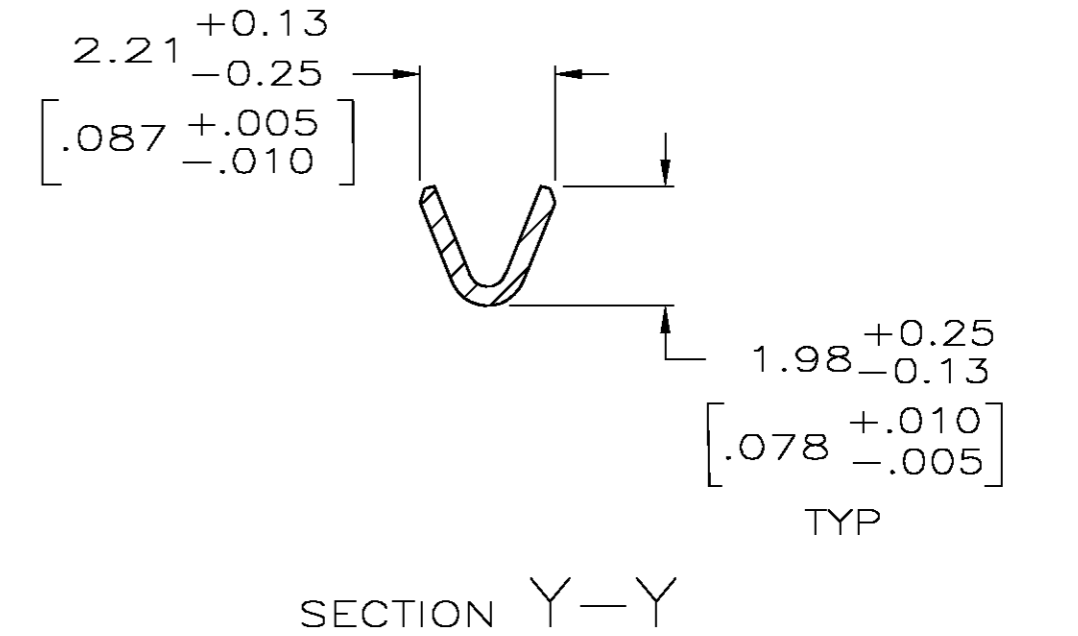
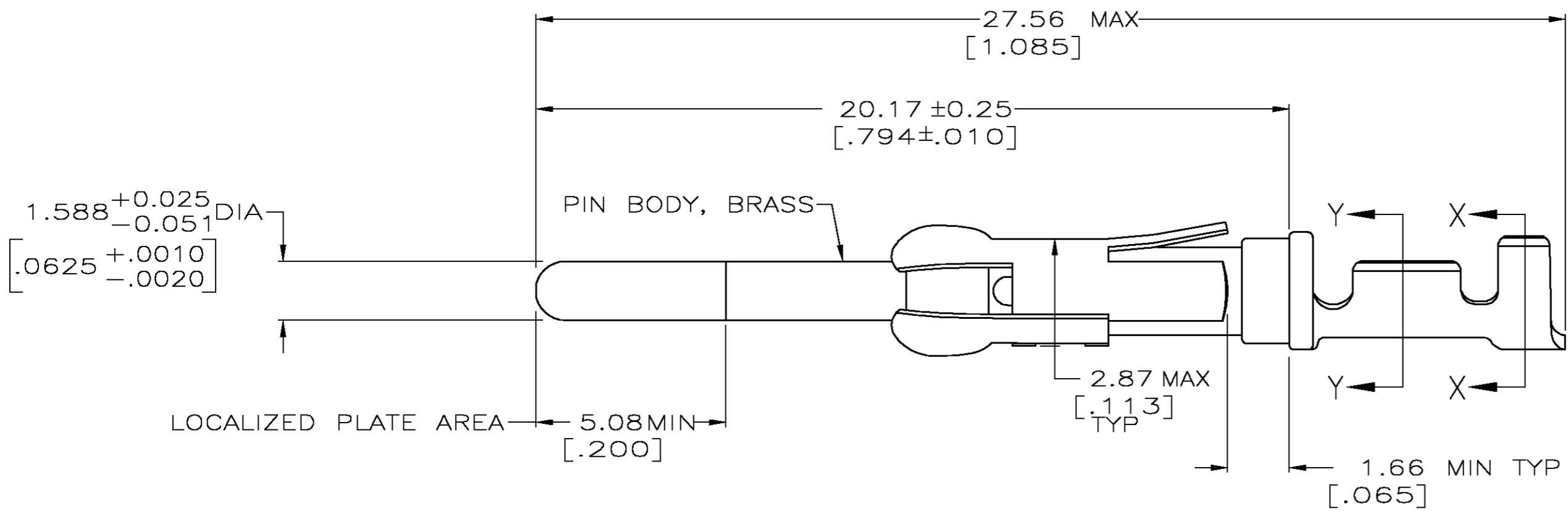
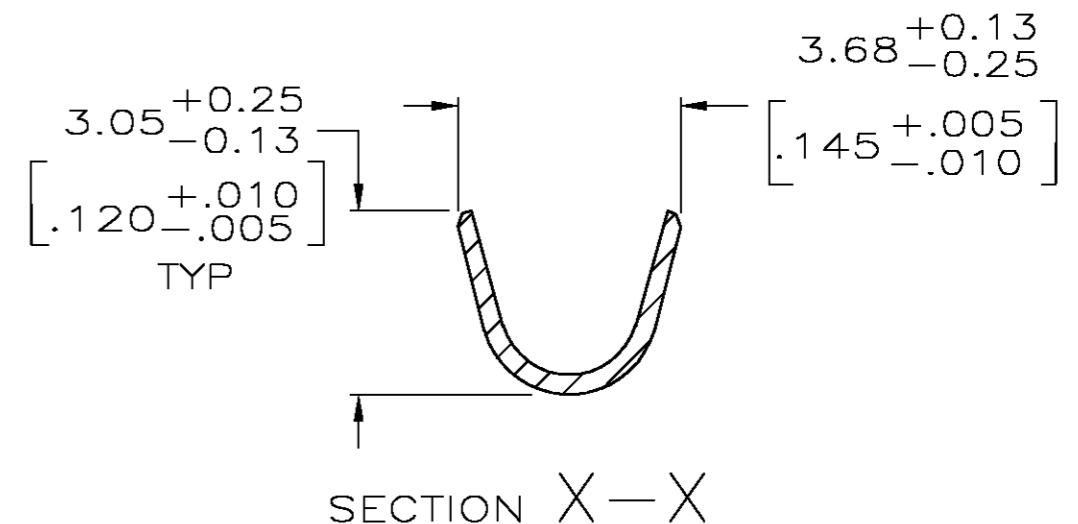
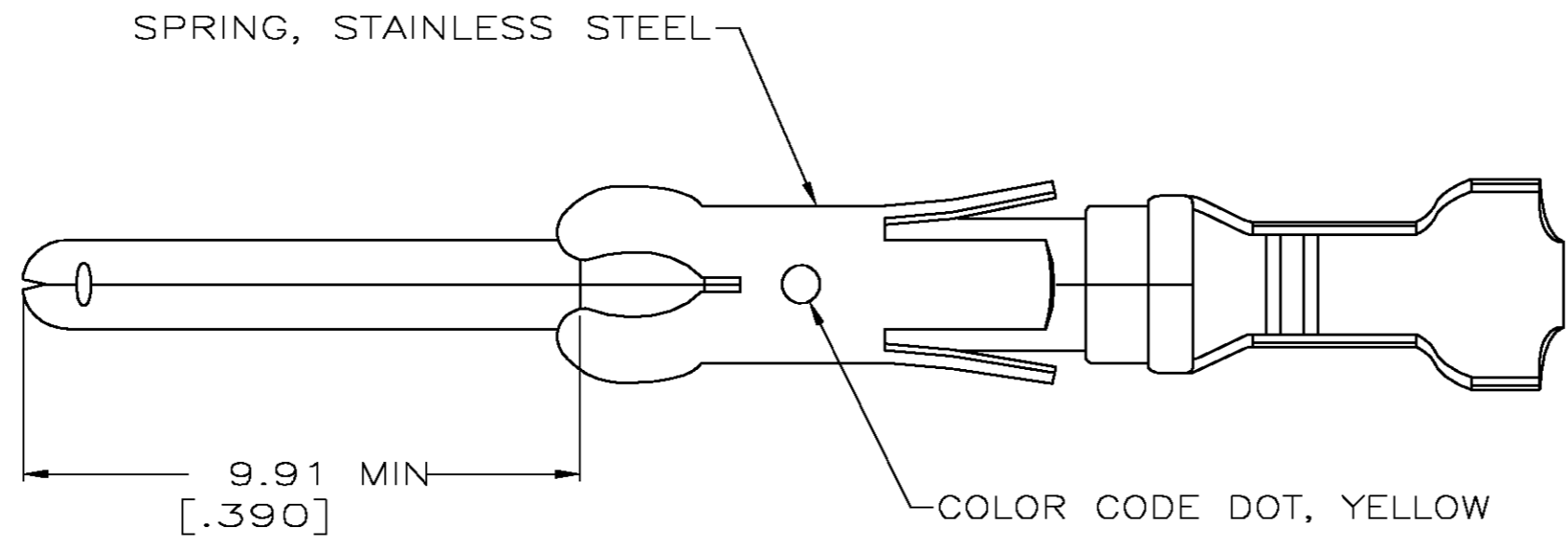


THIS DRAWING IS UNPUBLISHED. RELEASED FOR PUBLICATION  
 © COPYRIGHT BY TYCO ELECTRONICS CORPORATION. ALL RIGHTS RESERVED.

LOC	DIST	REVISIONS			
P	LTR	DESCRIPTION	DATE	DWN	APVD
FT	0	R	REVISED PER 0G3B-0956-04	11/18/04	SS GS



- 1 1.27µm [.000050] MIN TIN-LEAD OVER  
1.27µm [.000050] MIN NICKEL.
- 2 0.76µm [.000030] MIN GOLD IN LOCALIZED  
PLATE AREA, 0.25µm [.000010] MIN  
GOLD ON THE REMAINDER ALL OVER  
1.27µm [.000050] MIN NICKEL.
- 3 0.76µm [.000030] MIN GOLD IN LOCALIZED  
PLATE AREA, GOLD FLASH ON  
THE REMAINDER ALL OVER 1.27µm [.000050]  
NICKEL.
- 4 0.38µm [.000015] MIN GOLD IN LOCALIZED  
PLATE AREA, GOLD FLASH ON  
THE REMAINDER ALL OVER 1.27µm [.000050]  
NICKEL.
- 5. WIRE RANGE 24-20 AWG.
- 6. INSULATION RANGE 2.03[.080]-2.54[.100] DIA.
- 7 0.38µm [.000015] MIN GOLD PER MIL-G-45204 ON LOCALIZED  
GOLD PLATE AREA, 1.27µm [.000050] MIN TIN-LEAD PER  
MIL-T-10727 FOR A LENGTH OF 5.69 [.224] MIN ON OPPOSITE END, BOTH  
OVER 1.27µm [.000050] MIN NICKEL PER QQ-N-290 ON ENTIRE CONTACT.
- 8 1.27µm [.000050] MIN TIN OVER  
1.27µm [.000050] MIN NICKEL.

OBSOLETE

PACKAGING TYPE	FINISH	STRIP P/N REF	PART NO
SMALL PACK	8	1-66332-4	1-66400-1
STANDARD	8	1-66332-4	1-66400-0
SMALL PACK	3	66332-4	66400-9
SMALL PACK	4	66332-3	66400-8
SMALL PACK	2	66332-6	66400-7
SMALL PACK	1	66332-1	66400-6
STANDARD	7	1-66332-2	66400-5
STANDARD	3	66332-4	66400-4
STANDARD	4	66332-3	66400-3
STANDARD	2	66332-6	66400-2
STANDARD	1	66332-1	66400-1

THIS DRAWING IS A CONTROLLED DOCUMENT.

DWN H MOLL 9-27-90	Tyco Electronics Corporation Harrisburg, Pa 17105-3608
CHK J.MCCLINTON 12-15-90	
APVD A.BOULLIANNE 12-10-90	NAME
PRODUCT SPEC	PIN ASSEMBLY, LOOSE PIECE, TYPE III+
APPLICATION SPEC	SIZE CAGE CODE DRAWING NO RESTRICTED TO
WEIGHT	A2 00779 C=66400
CUSTOMER DRAWING	SCALE 8:1 SHEET 1 OF 1 REV R