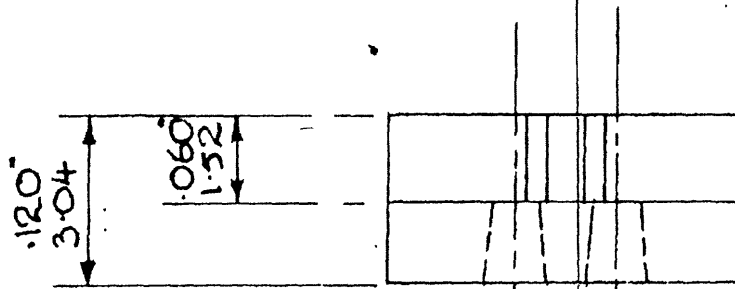


519-984

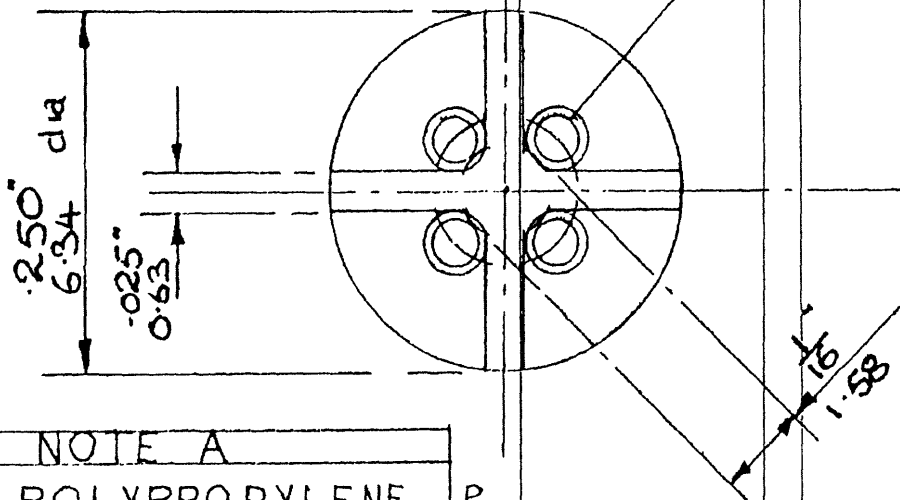
M1802 D.

ATTN SUE GREEN

DRG. No.	FILE No.	DATE	CHANGES
TITLE: TRANSISTOR PAD TYPE No. M18-02			



4 HOLES .035" dia
0.89
T₁₀₀ .047" dia ON
1-19
.100" R.C. dia



NOTE A	
BLACK POLYPROPYLENE	P
WHITE POLYPROPYLENE	N
NATURAL NYLON	
POLYESTER	D

MOULDED ELECTRONIC COMPONENTS INT. LTD

193 Vale Road, Tonbridge
Kent TN9 1SU
Tel: (0732) 381335
Fax: (0732) 770540 Telex: 957049

MATERIAL: SEE NOTE A
TOLERANCE: ± .005"

DRAWN	C
TRACED	
CHECKED	
SCALE	8:1
DATE	
DRG. No.	