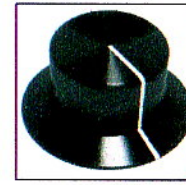


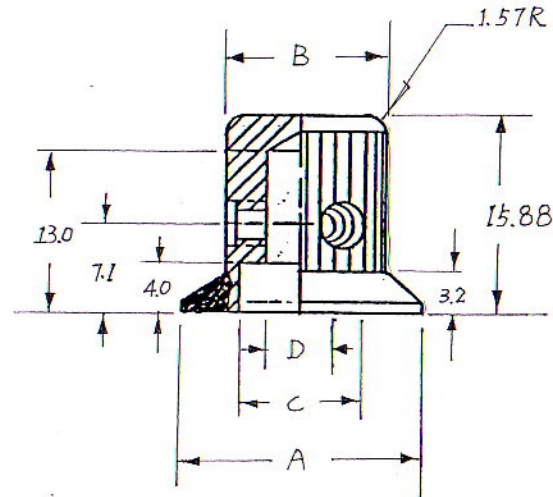
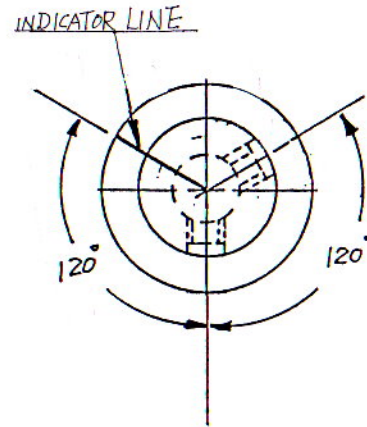
P/N	A	B	C	D	Color
KLNS500A1/8	18.8	12.7	9.5	3.2	Natural
KLNS500B/18	18.8	12.7	9.5	3.2	Black
KLNS500A1/4	18.8	12.7	9.5	6.4	Natural
KLNS500B1/4	18.8	12.7	9.5	6.4	Black
KLNS700A1/8	28.5	19.0	15.0	3.2	Natural
KLNS700B1/8	28.5	19.0	15.0	3.2	Black
KLNS700A1/4	28.5	19.0	15.0	6.4	Natural
KLNS700B1/4	28.5	19.0	15.0	6.4	Black



KLNS500B



KLNS700B1/4



嘉信旋鈕股份有限公司  
 CHIA SHIN KNOBS CO., LTD.  
 351, YUNGHO ROAD,  
 CHUNGHO CITY,  
 TAIPEI HSIEN,  
 TEL: (02)2225-1216-7  
 FAX: (02)2222-7312

Material: ALUMINUM SOLIDE  
 Tolerance: +/-0.20  
 Unit : mm

P/N:	
CHIA SHIN P/N:	KLNS SERIES

Date: 1-Sep-07