

MICRO SWITCH
 FREEPORT ILLINOIS, U.S.A
 A DIVISION OF HONEYWELL
 FED. MFG. CODE 91929

**SMALL PRECISION
 LIMIT SWITCH**

CATALOG LISTING
914CE16-6

914CE16-6

M

DRAWING
 NUMBER

X

ISSUE
 3

RELEASE NO. PR-7324 REPLACES

REVISIONS

A	CO	51267
	TSK	
5	APR 82	
A	CO	51367
	TSK	
6	APR 82	
B	CO59783	
	CJH	
3	JUL 86	

CHECK

CHECK

9 SEPT 78

CEB

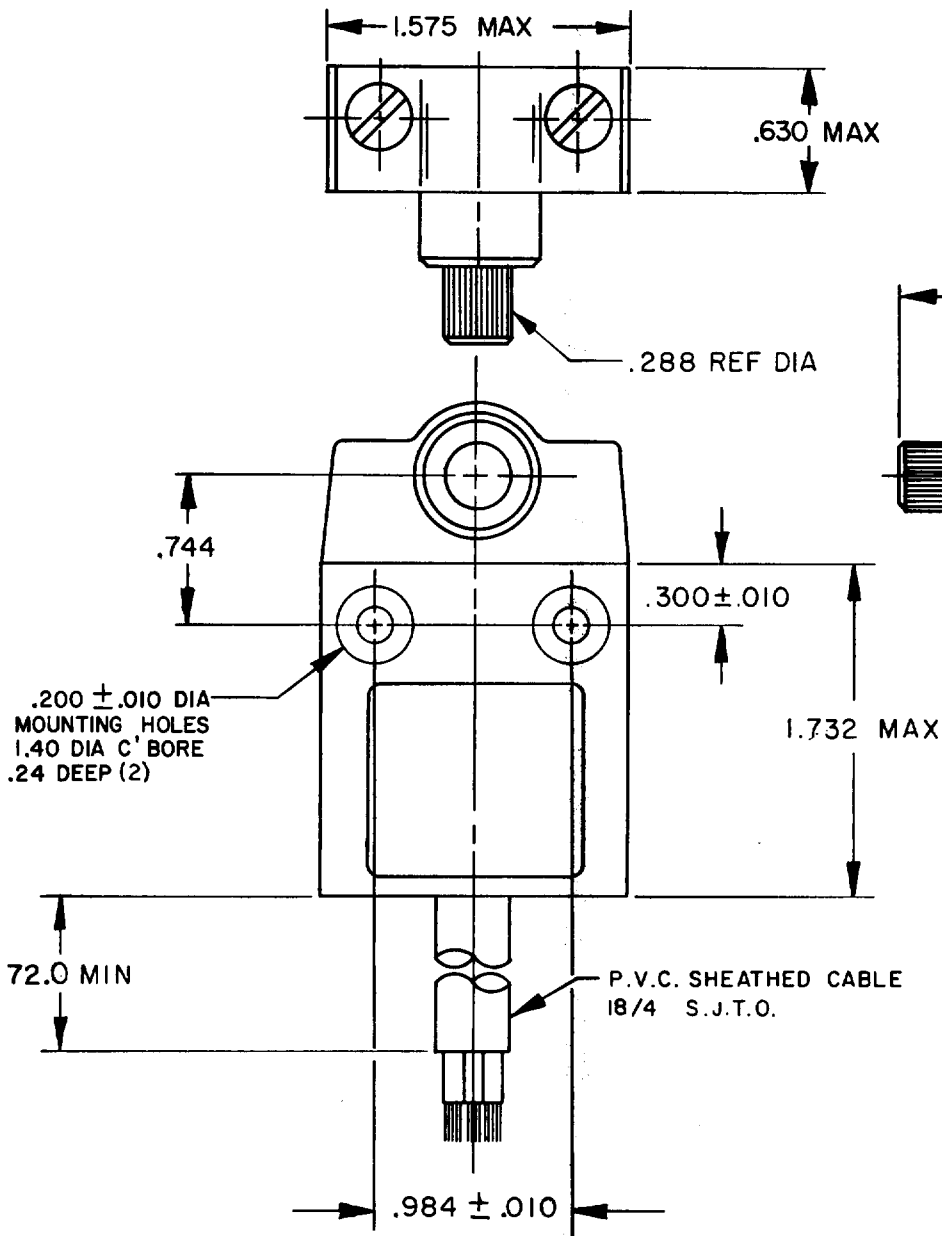
9 SEPT 78

CHECK

78

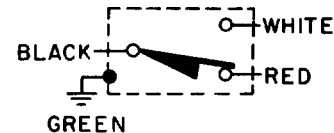
AUG 78

D J S



NOTE -

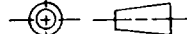
- 1 - ZINC HOUSING FINISHED WITH GRAY PAINT
- 2 - SWITCH WILL ACTUATE IN BOTH DIRECTIONS



CIRCUIT DIAGRAM

THIS DRAWING COVERS A PROPRIETARY ITEM AND IS THE PROPERTY OF MICRO SWITCH, A DIVISION OF HONEYWELL. THIS DRAWING IS NOT TO BE COPIED OR USED WITHOUT THE APPROVAL OF MICRO SWITCH.

THIRD ANGLE PROJECTION



CHARACTERISTICS

OPERATING FORCE --- 3 IN LB MAX
 RELEASE FORCE --- 10 IN OZ MAX
 PRETRAVEL --- 30° MAX
 DIFFERENTIAL TRAVEL --- 3° MAX
 OVERTRAVEL --- 40° MIN

ELECTRICAL DATA

CONTACT ARRANGEMENT
 S P D T

UL LISTED - HONEYWELL LTD
 FILE E41859
 5A - 250 VAC
 1/10 HP - 125 OR 250 VAC
 LR-15775

SCALE FULL

DO NOT SCALE PRINT

TOLERANCES
 APPLY TO DESIGN UNITS. CONVERSIONS ARE ONLY FOR REFERENCE. UNLESS NOTED, TOLERANCES ARE ±

DIM.	TOL.	DIM.	TOL.
mm	mm/in	in	mm/in
NO PLACES	X	1/64	X X
ONE PLACE	X,X	0.4/016	X X
TWO PLACES	X,XX	0.15/006	X XX
THREE PLACES	X,XXX	0.13/005	X XXX
ANGLES			

DESIGN UNITS SI METRIC

US CUSTOMARY

WEIGHT

FO-52848-A
 DRAWN