

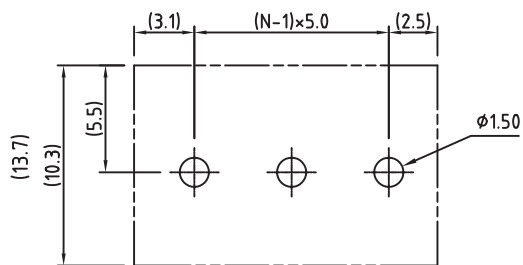
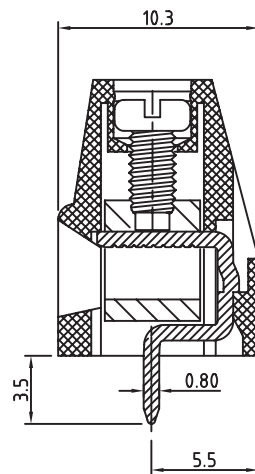
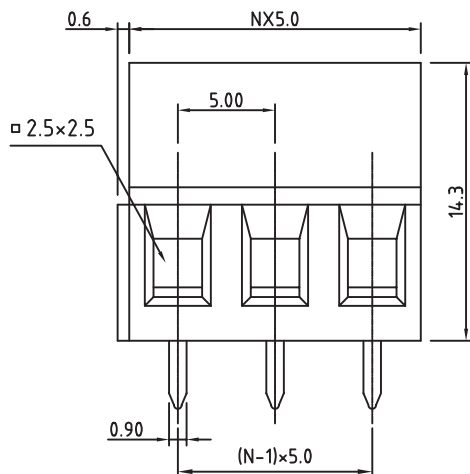
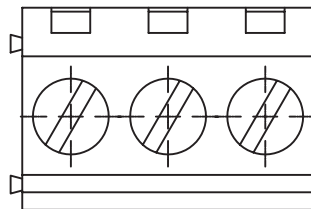
1

2

3

4

5



PCB LAYOUT - COMPONENT VIEW

TECHNICAL CHARACTERISTICS

MATERIAL

INSULATOR: NYLON 66
 MAX TEMPERATURE: WAVE SOLDERING COMPATIBLE
 COLOR: GREEN
 METAL HOUSING: BRASS (CuZn)
 TERMINAL SCREW: STEEL ZINC PLATING "-" SLOT TYPE
 CONTACTS: BRASS
 SOLDER TAIL PLATING: TIN

ENVIRONMENTAL

OPERATING TEMPERATURE: -30 UP TO 105°C
 FLAMABILITY RATING: UL94-V0
 COMPLIANCE: LEAD FREE AND ROHS

ELECTRICAL

UL
 CURRENT RATING: 10A
 WORKING VOLTAGE: 300VAC
 WITHSTANDING VOLTAGE: 1.6KV

MECHANICAL

SOLID WIRE: 12-22 AWG
 STRANDED WIRE: 12-22 AWG
 TORQUE : 3.5Lb.In/0.4Nm

WIRE RANGE: 0.5 TO 2.5MM²
 WIRE STRIPE LENGTH: 6-7MM
 SCREW: M2.5
 PITCH: 5.0MM

SOLDERING: WAVE PROCESS ONLY

PACKAGING
 BOX

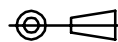
SERIE 212

CERTIFICATION



RoHS Compliant

PROJECTION:



GENERAL TOLERANCE

.X = +/- 0.2

.XX = +/- 0.15



APPROVAL: RJ

UNIT: MM

SCALE:

SHEET: 1/1

DRAW: MARVIN

DESCRIPTION: 5.0MM MODULAR GREEN HORIZONTAL ENTRY
 WITH RISING CAGE CLAMP - 14.3MM HEIGHT

WERI PART NO: 691 212 710 0xx

SIZE

A4

G			
F			
E			
D			
C			
B			
A	30-OCT-07	PDF	EC
REV	DATE	FILE	BY