

3MN19

M

DRAWING
 NUMBER

X2

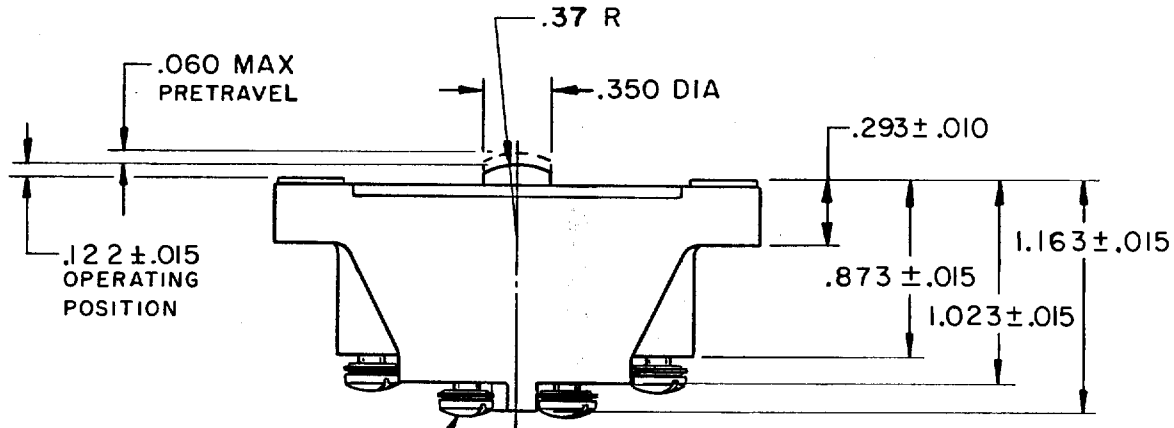
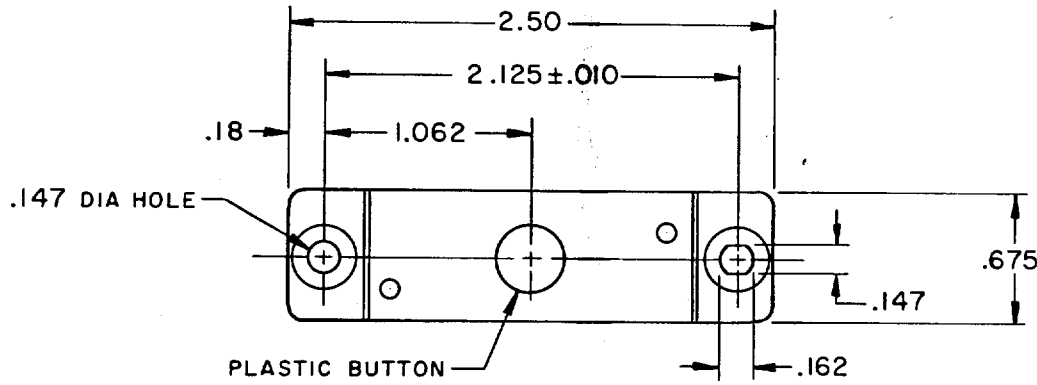
ISSUE
84

REPLACES

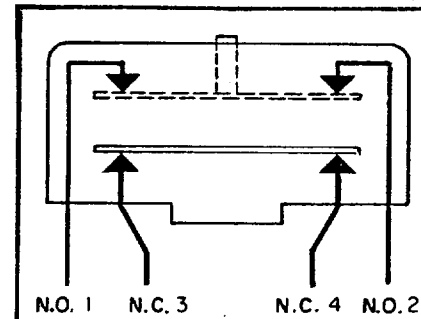
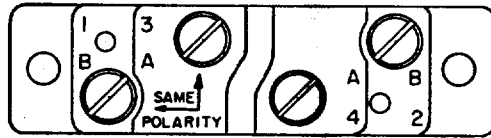
RELEASE NO. PR-11059

CHECK

CHECK



8-32 UNC X .230 REF BINDING
 HEAD TERMINAL SCREW AND
 LOCKWASHER (SEMS) (4)

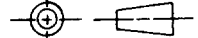


CIRCUIT DIAGRAM

NOTE -
 1 - MOUNTING HOLES WILL ACCEPT PINS OR SCREWS
 OF .139 MAX DIA ON 2.125 CENTERS

THIS DRAWING COVERS A PROPRIETARY ITEM AND IS THE PROPERTY OF MICRO SWITCH, A DIVISION OF HONEYWELL. THIS DRAWING IS NOT TO BE COPIED OR USED WITHOUT THE APPROVAL OF MICRO SWITCH.

THIRD ANGLE PROJECTION



CHARACTERISTICS	
OPERATING FORCE	7 - 11 OZ
RELEASE FORCE	4 OZ MIN
DIFFERENTIAL TRAVEL	.015 - .025
OVERTRAVEL	.080 MIN

ELECTRICAL DATA	
CONTACT ARRANGEMENT SEE CIRCUIT DIAGRAM	
15A-120, 240, 480, OR 600 VAC 1/2 HP-120 VAC; 1 HP-240 VAC 0.8A-115 VDC; 0.4A-230 VDC PILOT DUTY 600 VAC MAX	
B600	

SCALE FULL			
DO NOT SCALE PRINT			
TOLERANCES			
APPLY TO DESIGN UNITS. CONVERSIONS ARE ONLY FOR REFERENCE. UNLESS NOTED, TOLERANCES ARE ±			
DIM.	TOL.	DIM.	TOL.
mm	mm/in	in	mm/in
NO PLACES	X	1/04	
ONE PLACE	X,X	0.4/016	X X
TWO PLACES	X,XX	0.15/006	X X X
THREE PLACES	X,XXX		X,XXX
ANGLES			
DESIGN UNITS		WEIGHT	
SI METRIC <input type="checkbox"/>		US CUSTOMARY <input checked="" type="checkbox"/>	

FO-52848-A

DRAWN

D J S 12 APR 82 CHECKS UH 5 APR 87