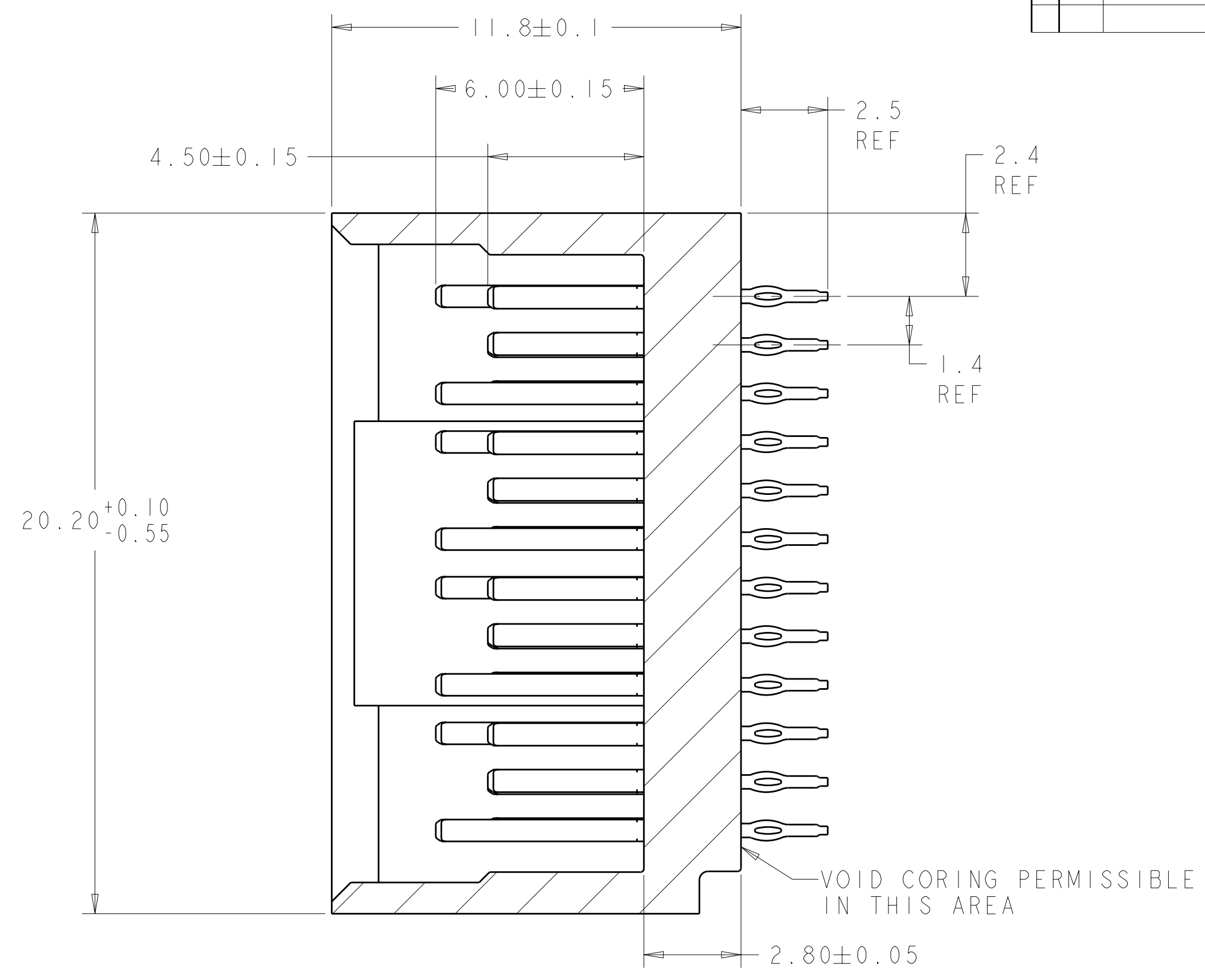
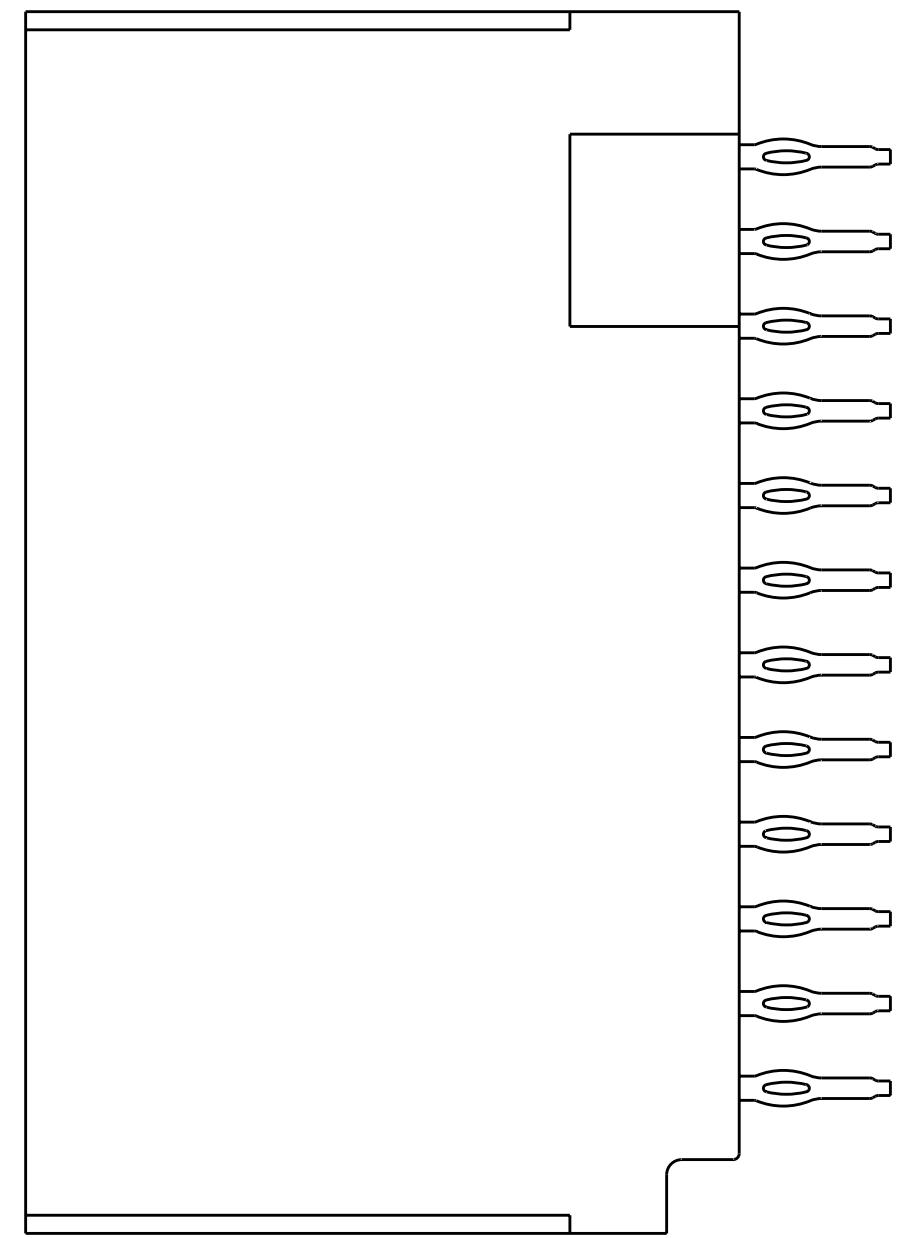
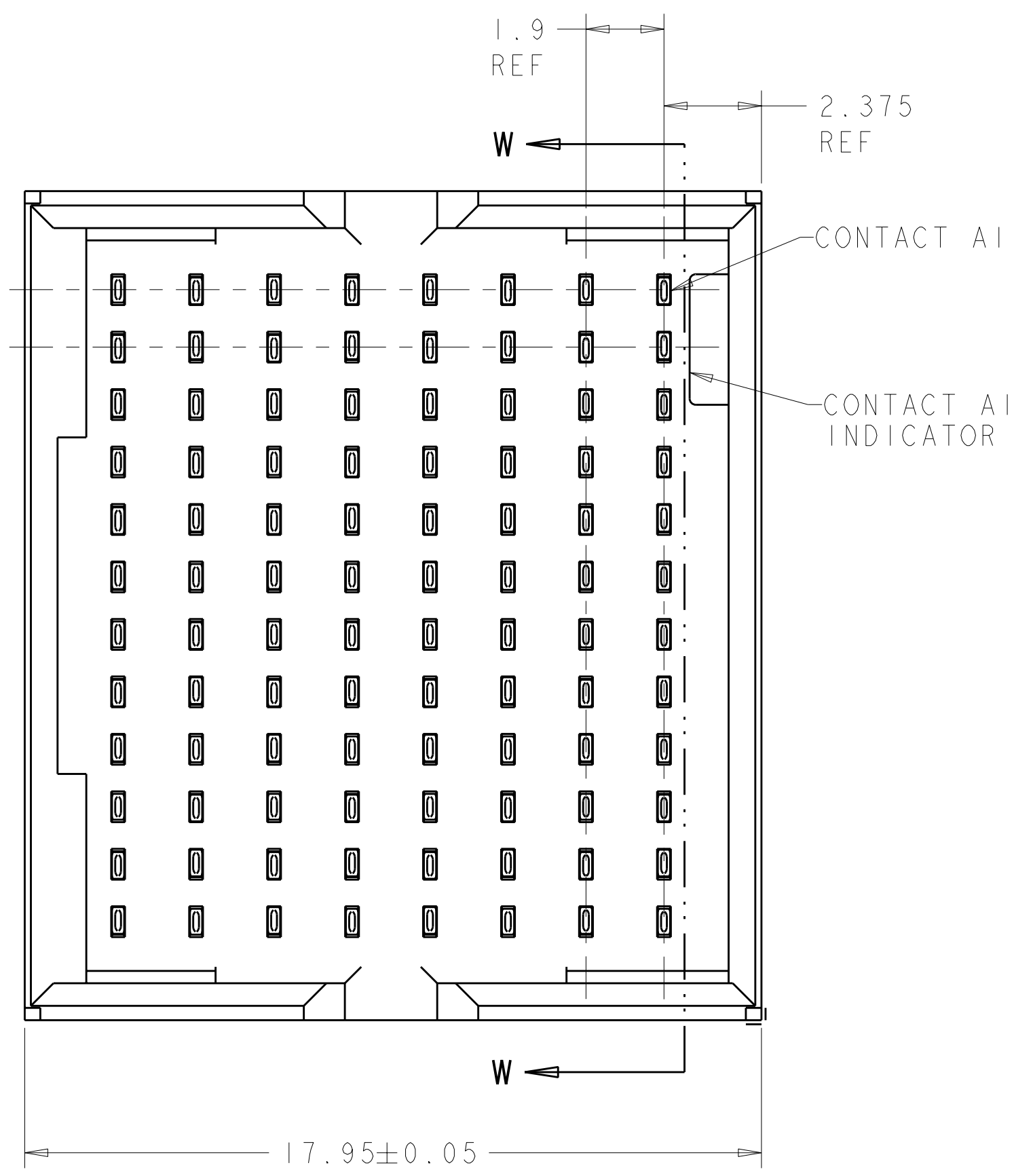
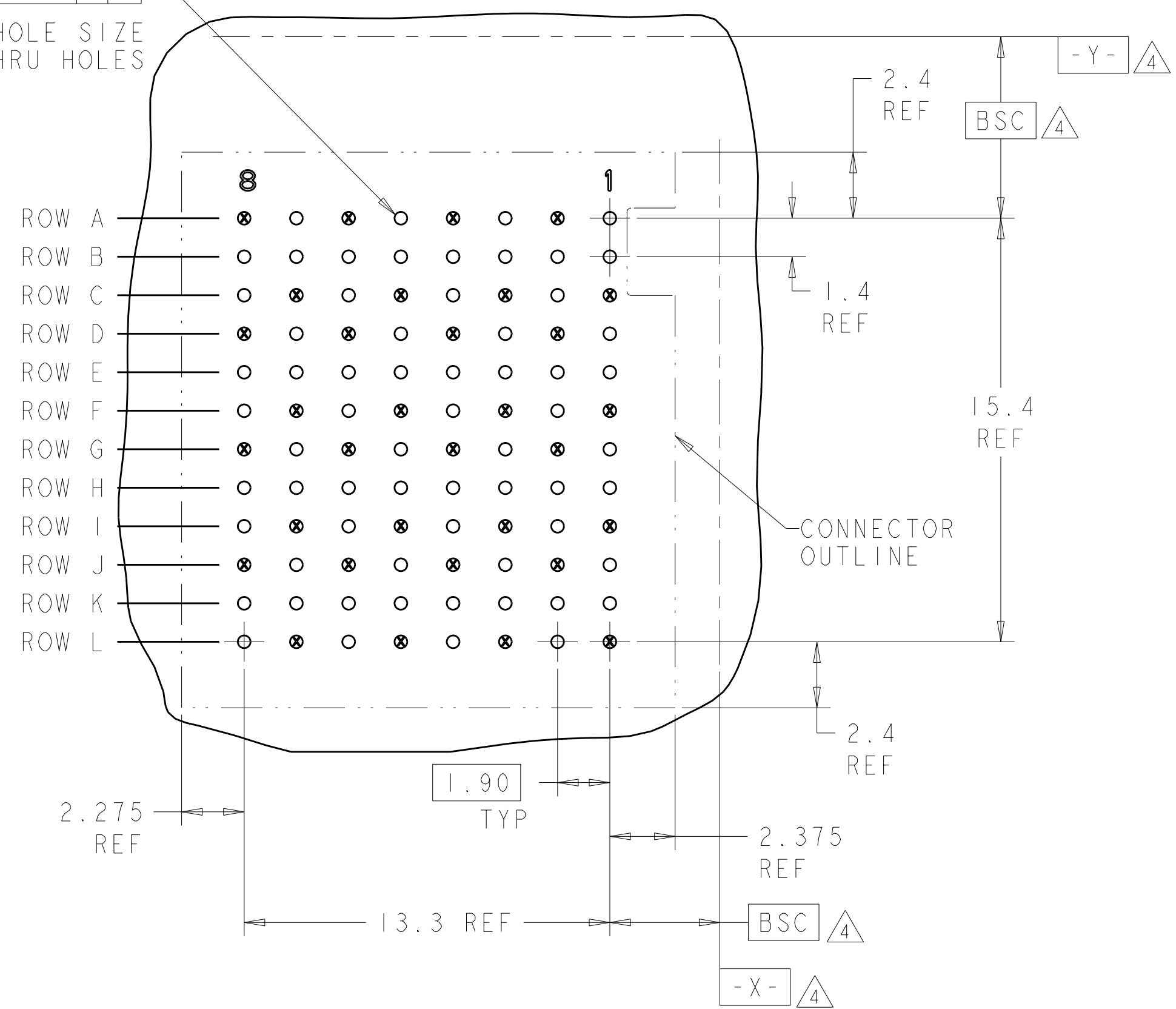


LOC		DIST		REVISIONS			
GP	00	REV	DATE	BY	CHK	APPD	REV
		I	PROPOSED	13JUN07	BM	WD	
		A	RELEASED	28AUG2007	BC	RP	
		B	REV PER ECO-08-018696	04SEP2008	BC	RP	



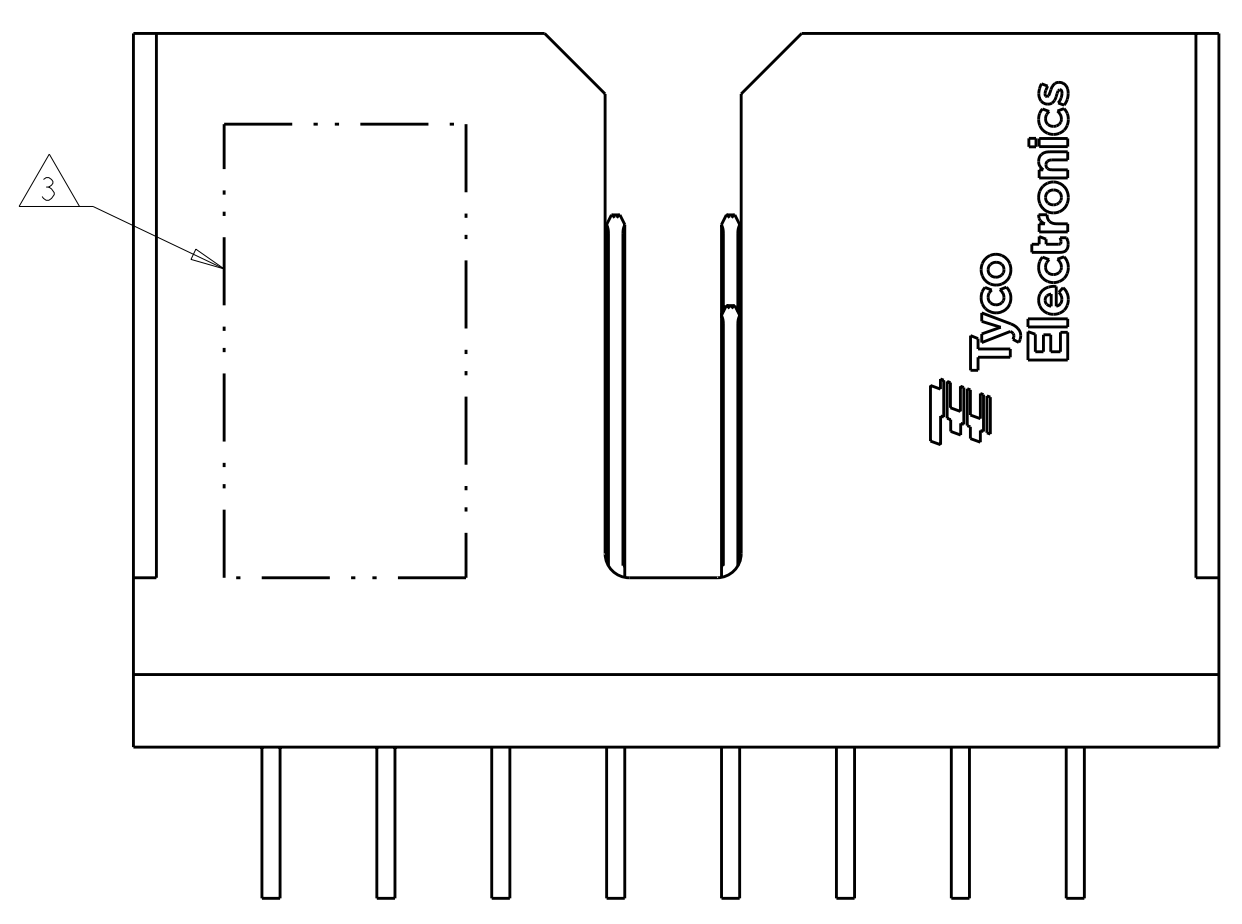
SECTION W-W

⊕ ∅ 0.05 X Y  
 FINISHED HOLE SIZE AND PLATED THRU HOLES



○ = SIGNAL  
 ⊗ = GROUND  
 RECOMMENDED PC BOARD LAYOUT BACKPLANE, COMPONENT SIDE SHOWN  
 SCALE 6:1

- 1 MATERIAL:  
 CONTACT - PHOS BRONZE  
 HOUSING - LCP, UL 94V-0, COLOR - BLACK
- 2 FINISH: CONTACT  
 MATING AREA - 0.76 μm MIN GOLD OVER 1.27 μm MIN NICKEL  
 COMPLIANT PIN AREA - 0.5 μm MIN MATTE TIN OVER 1.27 μm MIN NICKEL
- 3 CONNECTOR MARKED WITH PART NUMBER, DATE CODE AND STANDARD IN APPROXIMATE AREA SHOWN
- 4 DATUMS AND BASIC DIMENSIONS ESTABLISHED BY CUSTOMER.
- 5 CONTACT AREA LUBRICATED WITH BELLCORE APPROVED LUBRICANT. TECHNICAL REFERENCE GR-1217-CORE, ISSUE 1, NOVEMBER 1995.
- 6 REFERENCE APPLICATION SPEC 114-13202 FOR RECOMMENDED PLATED THRU HOLE DIAMETER AND PLATING THICKNESSES.



1934306-1  
 PART NUMBER

DIMENSIONS: mm 		TOLERANCES UNLESS OTHERWISE SPECIFIED: 0 PLC ± 1 PLC ± 2 PLC ± 3 PLC ± 4 PLC ± ANGLES ±		DWN B. MCMASTER 13JUN2007 CHK W. DAVIS 13JUN2007 APPD W. DAVIS 13JUN2007 NAME PRODUCT SPEC APPLICATION SPEC WEIGHT CUSTOMER DRAWING		Tyco Electronics Harrisburg, PA 17105-3608 HEADER ASSEMBLY, DOUBLE WALL, 4 PAIR 8 COLUMN SIZE CAGE CODE DRAWING NO A100779C=1934306 SCALE 10:1 SHEET 1 OF 1 REV B	
-----------------------	--	---	--	--	--	---	--