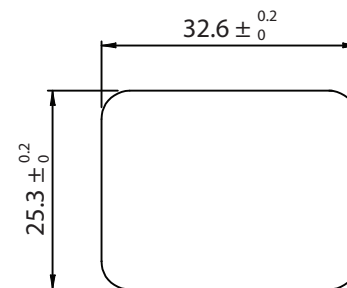
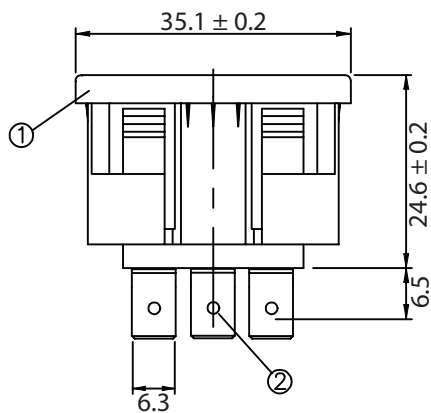
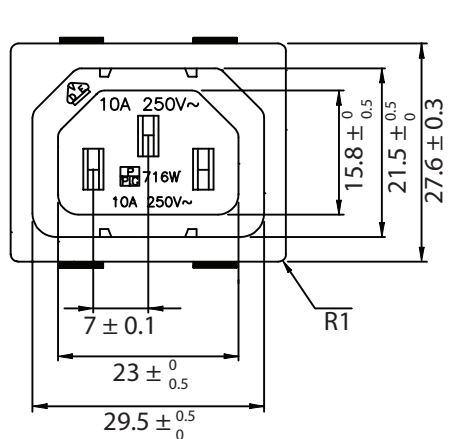
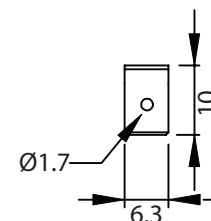
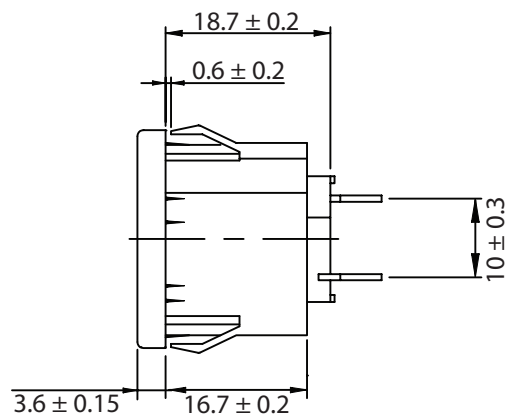
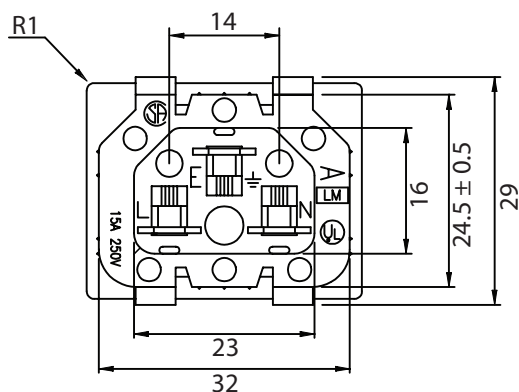


THESE DRAWINGS ARE THE PROPERTY OF QUALTEK ELECTRONICS AND NOT TO BE REPRODUCED FOR OR COMMUNICATED TO A THIRD PARTY WITHOUT THE EXPRESS WRITTEN PERMISSION OF AN OFFICER OF QUALTEK ELECTRONICS.

REVISION			
REV.	DESCRIPTION	DATE	APPROVED
B	RoHS Compliancy	06-01-06	DP



PANEL CUTOUT



CONTROLLED

NOTES:

MATERIAL:

HOUSING: THERMOPLASTIC
TERMINAL: COPPER ALLOY

RATING:

UL, CSA:15A 250V AC
VDE: 10A 250V AC

INSULATION RESISTANCE: OVER 100M OHM 500V DC

DIELECTRIC STRENGTH: 2000V AC ONE MINUTE

APPROVALS: UL,CSA,VDE

PANEL THICKNESS: 0.8~1.5mm

RoHS COMPLIANT

2	Contact PIN Bronze Strip t=2mm Ni-Plated	3			
1	Body Insulator NYLON Black Color	1			
Dim range (mm)		Tolerance +/- (mm)		Qualtek Electronics Corp. PPC DIVISION Part Number: 716W-X2/03 RoHS Compliant	
0-1	0.15	Description:			
1-6	0.20	AC RECEPTACLE		UNIT: mm	REV. B
6-18	0.30	Drawn / Date	Checked / Date	Approved / Date	
18-50	0.50	B.ZHANG	03-10-04	JJH / 03-10-04	
50-120	0.70				
120-250	0.90				
250-500	1.20				