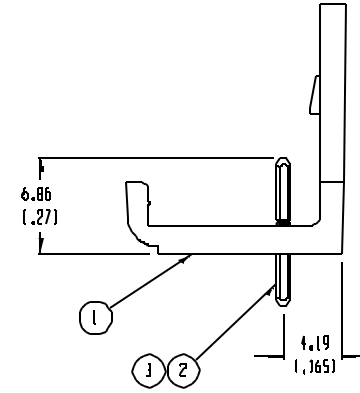
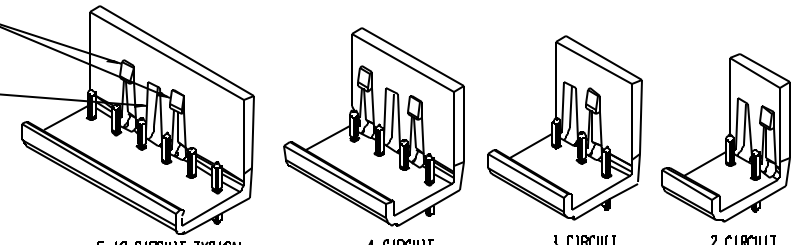


DUAL SNAP FEATURE
EITHER SIDE OF
ALIGNMENT FEATURE
ALIGNMENT FEATURE TO
MATCH FEATURE ON PLUG



- NOTES:
1. MATERIAL: SEE TABLE
 2. FINISHES: SEE TABLE
 3. PRODUCT SPECIFICATION: NOT REQUIRED
 4. PACKAGING: NOT REQUIRED
 5. MATES WITH: 99 SERIES PLUG
 6. INCH DIMS ARE SHOWN IN BRACKETS (XX)
 7. "XX" REFERS TO DTY. OF CIRCUITS

ASSEMBLY MATERIAL NO. (STANDARD)	ASSEMBLY MATERIAL NO. (-G30 OPTION)	NUMBER OF CIRCUITS "XX"	DIM. "A"	DIM. "B"	DIM. "C"	DIM. "D"	DIM. "E"
39990402	399910402	02	10.6 (1.421)	5.00 (1.197)	N/A	N/A	N/A
39990403	399910403	03	15.6 (1.611)	10.01 (1.194)	5.00 (1.197)	N/A	N/A
39990404	399910404	04	20.6 (1.811)	15.01 (1.591)	5.00 (1.197)	10.00 (1.197)	10.00 (1.197)
39990405	399910405	05	25.6 (1.011)	20.02 (1.788)	5.00 (1.197)	10.00 (1.197)	10.00 (1.197)
39990406	399910406	06	30.6 (1.211)	25.02 (1.985)	10.01 (1.194)	10.00 (1.197)	10.00 (1.197)
39990407	399910407	07	35.6 (1.401)	30.02 (1.182)	10.01 (1.194)	10.00 (1.197)	10.00 (1.197)
39990408	399910408	08	40.6 (1.601)	35.03 (1.179)	15.01 (1.591)	10.00 (1.197)	10.00 (1.197)
39990409	399910409	09	45.6 (1.801)	40.03 (1.576)	15.01 (1.591)	10.00 (1.197)	10.00 (1.197)
39990410	399910410	10	50.6 (1.991)	45.03 (1.773)	20.02 (1.788)	10.00 (1.197)	10.00 (1.197)
39990411	399910411	11	55.6 (2.191)	50.04 (1.470)	20.02 (1.788)	10.00 (1.197)	10.00 (1.197)
39990412	399910412	12	60.6 (2.391)	55.04 (2.167)	25.02 (1.985)	10.00 (1.197)	10.00 (1.197)
39990413	399910413	13	65.6 (2.58)	60.05 (2.164)	25.02 (1.985)	10.00 (1.197)	10.00 (1.197)
39990414	399910414	14	70.6 (2.78)	65.05 (2.561)	30.02 (1.182)	10.00 (1.197)	10.00 (1.197)
39990415	399910415	15	75.6 (2.98)	70.05 (2.558)	30.02 (1.182)	10.00 (1.197)	10.00 (1.197)
39990416	399910416	16	80.7 (3.181)	75.06 (2.955)	35.03 (1.379)	10.00 (1.197)	10.00 (1.197)
39990417	399910417	17	85.7 (3.371)	80.06 (3.152)	35.03 (1.379)	10.00 (1.197)	10.00 (1.197)
39990418	399910418	18	90.7 (3.571)	85.06 (3.349)	40.03 (1.576)	10.00 (1.197)	10.00 (1.197)

ITEM	QTY.	DESCRIPTION	MATERIAL	FINISH
3	XX	HEADER PIN (-G30 OPTION)	BRASS	GOLD
2	XX	HEADER PIN (STANDARD)	BRASS	TIN
1	J	MOLDING	NYLON	BLACK

EC NO. 11451
 DRN: AMP 12/2/03
 CHK: []
 APPR: []

DESCRIPTION: []

REV: []

QUALITY SYMBOLS:
 MAJOR []
 CRITICAL []
 SPEC []

GENERAL TOLERANCES: UNLESS SPECIFIED

	MM	INCH
1 PLACES		±.0015
3 PLACES	±.038	±.005
2 PLACES	±.13	±.01
1 PLACE	±.3	

ANGULAR: ±2°

DRAFT WHERE APPLICABLE MUST REMAIN WITHIN DIMENSIONS

SCALE: 3:1

DESIGN UNIT: MM INCH

THIRD ANGLE PROJECTION

DRAWN BY & DATE: C. YORK 08-12-03

CHECKED BY & DATE: []

APPROVED BY & DATE: []

CAD FILENAME: 9915XX01

PROJECT NO.: []

DIMENSIONS: MM (INCH) INCH (MM) INCH ONLY

SHT: [] REV: []

REVISE ON CAD ONLY

TITLE: SINGLE ROW EUROSTYLE HEADER ASSEMBLY 5.00mm (1.197)

MOLEX INCORPORATED

MATERIAL NO. SEE CHART

DRAWING NO. SD-39990-002

SHEET NO. 1 OF 1

THIS DRAWING CONTAINS INFORMATION THAT IS PROPRIETARY TO MOLEX INCORPORATED AND SHOULD NOT BE USED WITHOUT WRITTEN PERMISSION.

SIZE: B