

## Features

- Hermetically Sealed, Metal Enclosure Types (H-suffix)
- U/L Approved for Class 1, Div 2 Hazardous Locations (H-suffix)
- Push-to-Test Button Types (B-suffix)
- Indicator Lamp Types (N-suffix)
- Mechanical Indicator Types (M-suffix)
- 8-Pin and 11 -Pin Octal Plug-In Types
- SPDT, DPDT and 3PDT Types
- Clear Plastic Dust Cover

AC OPERATED						
NTE TYPE No.	Nom. Voltage	Contact Arr.	Coil Res. Ohms (Typ)	Nom. Power	Max. Contact Cur. @ 28VDC or 120VAC	Diag No.
R02-5A10-12	12VAC	SPDT	-	3.9VA	10A	D1C
R02-5A10-24	24VAC	SPDT	-	3.9VA	10A	D1C
R02-5A10-120	120VAC	SPDT	-	3.9VA	10A	D1C
R02-5A10-240	240VAC	SPDT	-	3.9VA	10A	D1C
R02-11A10-6	6VAC	DPDT	-	2.0VA	10A	D1A
R02-11A10-12	12VAC	DPDT	-	2.0VA	10A	D1A
R02-11A10-24	24VAC	DPDT	-	2.0VA	10A	D1A
R02-11A10-24B	24VAC	DPDT	-	2.0VA	10A	D1A
R02-11A10-24H	24VAC	DPDT	-	3.0VA	10A	D2A
R02-11A10-24N	24VAC	DPDT	-	2.0VA	10A	D1A
R02-11A10-120	120VAC	DPDT	-	2.0VA	10A	D1A
R02-11A10-120B	120VAC	DPDT	-	2.0VA	10A	D1A
R02-11A10-120H	120VAC	DPDT	-	3.0VA	10A	D2A
R02-11A10-120N	120VAC	DPDT	-	2.0VA	10A	D1A
R02-11A10-240	240VAC	DPDT	-	2.0VA	10A	D1A
R02-14A10-6	6VAC	3PDT	-	3.9VA	10A	D1B
R02-14A10-6M	6VAC	3PDT	-	3.9VA	10A	D1B
R02-14A10-12	12VAC	3PDT	-	2.75VA	10A	D1B
R02-14A10-24	24VAC	3PDT	-	2.75VA	10A	D1B
R02-14A10-24B	24VAC	3PDT	-	2.75VA	10A	D1B
R02-14A10-120	120VAC	3PDT	-	2.75VA	10A	D1B
R02-14A10-120B	120VAC	3PDT	-	2.75VA	10A	D1B
R02-14A10-120H	120VAC	3PDT	-	3.0VA	10A	D2B
R02-14A10-120N	120VAC	3PDT	-	2.75VA	10A	D1B
R02-14A10-240	240VAC	3PDT	-	2.75VA	10A	D1B
DC OPERATED						
R02-5D10-6	6VDC	SPDT	30	1.2W	10A	D1C
R02-5D10-12	12VDC	SPDT	120	1.2W	10A	D1C
R02-5D10-24	24VDC	SPDT	480	1.2W	10A	D1C
R02-5D10-110	110VDC	SPDT	10K	1.2W	10A	D1C
R02-11D10-6	6VDC	DPDT	30	1.2W	10A	D1A
R02-11D10-12	12VDC	DPDT	120	1.0W	10A	D1A
R02-11D10-12B	12VDC	DPDT	120	1.0W	10A	D1A
R02-11D10-12H	12VDC	DPDT	100	1.5W	10A	D2A
R02-11D10-12N	12VDC	DPDT	120	1.0W	10A	D1A
R02-11D10-24	24VDC	DPDT	470	1.0W	10A	D1A
R02-11D10-24B	24VDC	DPDT	470	1.0W	10A	D1A
R02-11D10-24H	24VDC	DPDT	472	1.2W	10A	D2A
R02-11D10-24N	24VDC	DPDT	470	1.0W	10A	D1A
R02-11D10-48	48VDC	DPDT	1630	1.5W	10A	D1A
R02-11D10-110	110VDC	DPDT	10K	1.2W	10A	D1A
R02-11D10-110H	110VDC	DPDT	8K	1.5W	10A	D2A
R02-14D10-6	6VDC	3PDT	30	1.2W	10A	D1B
R02-14D10-12	12VDC	3PDT	120	1.0W	10A	D1B
R02-14D10-12B	12VDC	3PDT	120	1.0W	10A	D1B
R02-14D10-24	24VDC	3PDT	470	1.0W	10A	D1B
R02-14D10-24B	24VDC	3PDT	470	1.0W	10A	D1B
R02-14D10-48	48VDC	3PDT	1630	1.5W	10A	D1B
R02-14D10-110	110VDC	3PDT	10K	1.2W	10A	D1B

NEW

Note 1. R02 Series hermetically sealed relays (H-suffix) are UL recognized for Class 1, Division 2 (Hazardous locations).

ACCESSORIES		
MOUNTING STYLES	DESCRIPTION	NTE TYPE NO.
SURFACE MOUNT	8-PIN OCTAL	R95-101
	11-PIN OCTAL	R95-104
DIN RAIL MOUNT	8-PIN OCTAL	R95-113, R95-181
	11-PIN OCTAL	R95-114, R95-182
PANEL MOUNT	8-PIN OCTAL	R95-118
	11-PIN OCTAL	R95-119

# R02 Series



## General Purpose, 10 Amp Multicontact AC and DC Relays.



## Electrical Specifications

### Contact

#### Contact Rating

Poles	120VAC	240VAC	28VDC
SPDT	10A (1/10 HP)	10A (1/6 HP)	10A
DPDT	10A (1/6 HP)	5A (1/3 HP)	10A
3PDT	10A (1/3 HP)	6A (1/2 HP)	10A

**Contact Material:** 3/16" Silver cadmium oxide

**Contact Resistance:** 0.050 ohms max initial

### Coil

**Coil Voltages:** See Chart

**Pick-up Voltage:** 80% of nominal or less, DC  
80% of nominal or less, AC

**Resistance:** See chart

**Min Sensitivity:** (125mW per pole)

**Duty Cycle:** Continuous

### Operational Characteristics

**Timing Values** . . . . . **Operate Time:** 25 ms or less } at nominal  
**Release Time:** 20 ms or less } coil voltage

### Insulation Characteristics

#### Dielectric Strength

**Contact To Coil:** 1500 VRMS

**Across Open Contacts:** 1000 VRMS

**Pole to Pole:** 1500 VRMS

**Contacts To Frame:** 1500 VRMS

**Insulation Material:** Molded polyester

**Insulation Resistance:** 1 x 10<sup>3</sup> megohms min

### Environmental Characteristics

**Operating:** -10°C to +50°C (AC), -10°C to +60°C (DC)

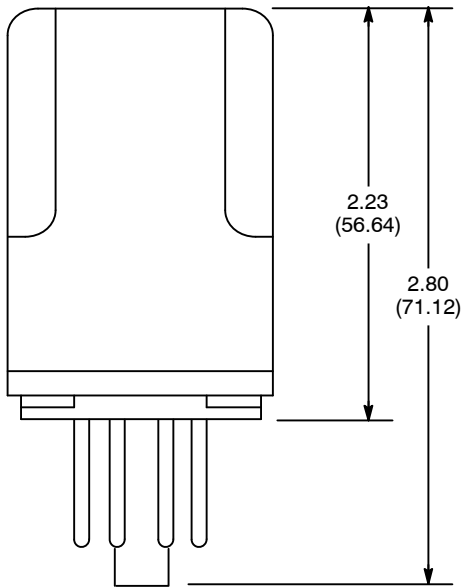
**Non-operating (storage):** -30°C to +105°C

### Weight

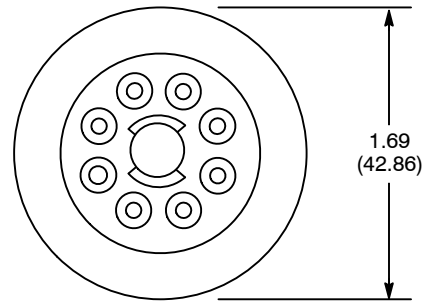
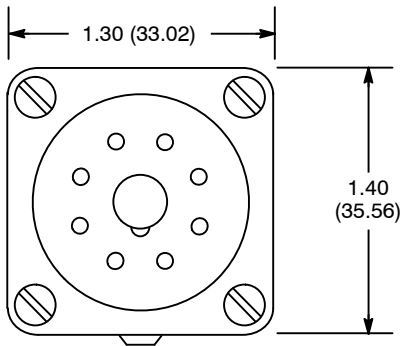
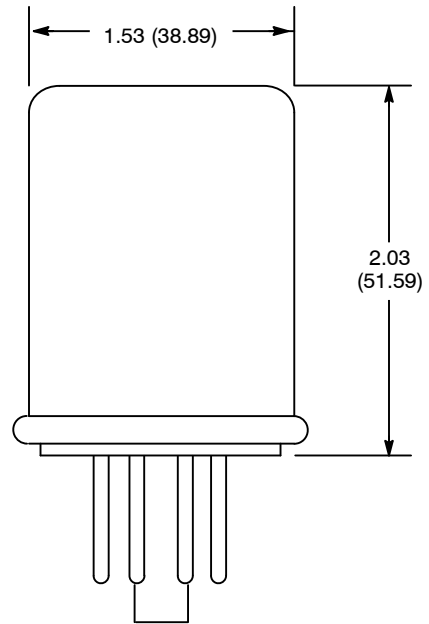
**Std:** 3 1/2 ozs (99.2 grams)—typical

**Hermetic sealed:** 5 ozs (141.7 grams)—typical

**D1**

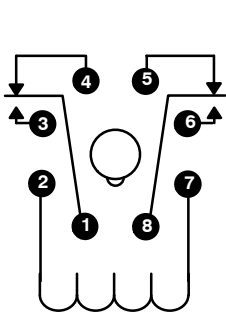


**D2**



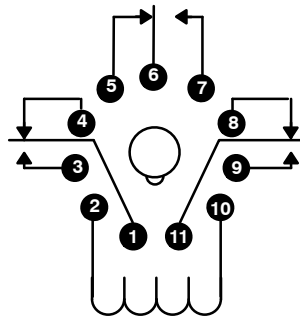
**Note:** Models with "N" suffix will have indicator lamp connected across coil.

**A (DPDT), 2 Form "C"**



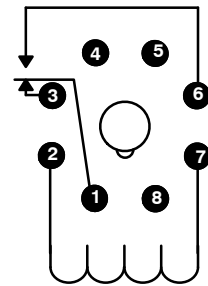
Viewed from Pin end of Plug

**B (3PDT), 3 Form "C"**



Viewed from Pin end of Plug  
**Note:** R02-14A10-120H has Pin5 and Pin6 Reversed.

**C (SPDT), 1 Form "C"**



Viewed from Pin end of Plug