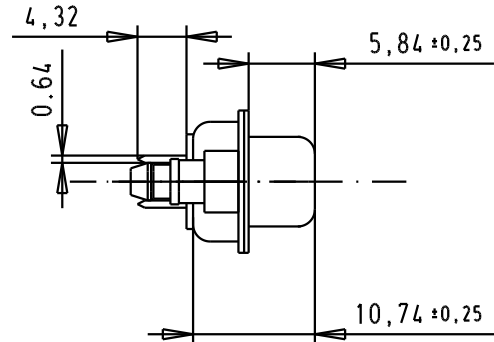
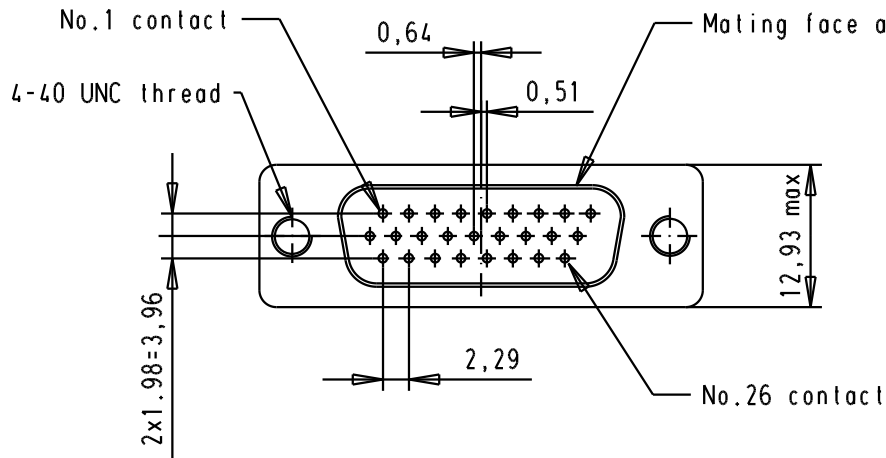
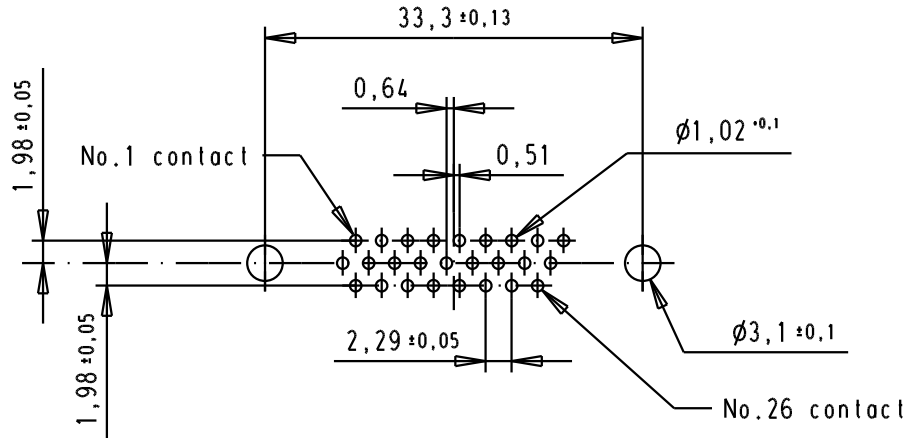
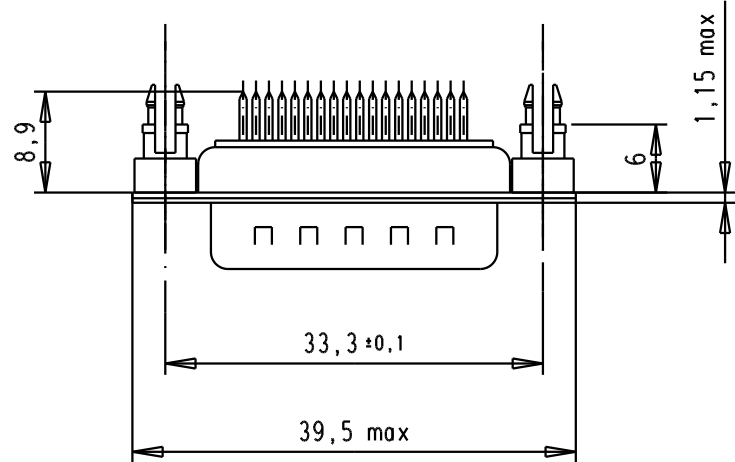


5 4 3 2 1



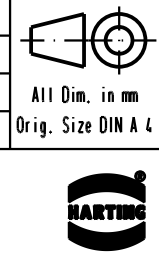
Printed board layout, component side  
 PCB thickness 1,6  
 Mounting forces on printed board 15-60N



A

09562615712	0.76 $\mu\text{m}$ Au
09562617712	3
Part number	Performance level

				Dat.	Name
33245	20/10/05	JMDR	Detail.	03/06/03	S.H.
32735	18/03/05	AL	Insp.		
32326	04/01/05	TR	Stand.		
31874	05/03/04	A.C.			
31503	03/06/03	S.H.			
Mod.	Dat.	Name	HARTING EURL F-95972 Paris		



D-Sub, Male, high density,  
 26 poles, straight, stamped  
 solder contacts, tin plated shell  
 with spacer nuts and board-locks

**TB 0956261x712**

Sub.

Maßstab/  
 Scale  
 1.5:1

Blatt / Page  
 1 / 2