



Galaxy - GL48B4 - 031076 - No
 (Family) (Model) (Part #) (In Stock)

Electrical Specifications

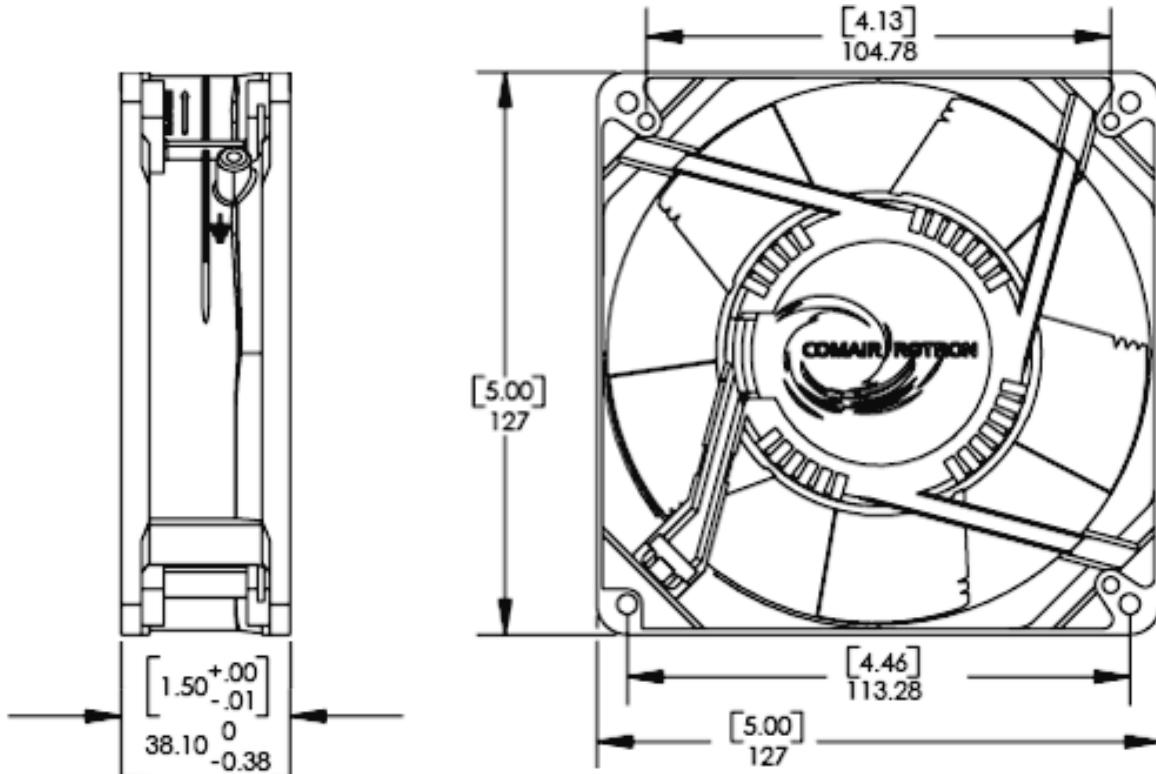
Operating Voltage:	48 Volts
Voltage Range:	24 - 56 Volts
Power Supply:	15.0 Watts
Line Current:	0.31 Amps
Locked Rotor Current	0.93 Amps
Nominal Speed:	3250 RPM

Mechanical Specifications

Dimensions:	5.0 x 5.0 x 1.5 in
Weight	21.87 oz
Max Airflow @ 0 in H ₂ O	150.0 CFM
Max Pressure @ 0 CFM	0.486 in H ₂ O
Noise	53.6 dBA



Mechanical Drawing



Comair Rotron, Inc.

Phone: 858.348.6200

sales@comairrotron.com

Comair Rotron Europe, Ltd.

Phone: +44.1527.520525

saleseurope@comairrotron.com

Comair Rotron Fan Company Ltd.

Phone: +86.21.52260581

salesasia@comairrotron.com

Print Date: Wednesday, March 12, 2008 at 04:48:53 - DC Fan Datasheet - Web Version 1.0 Rev. B



Fan Performance Curve

Fan Configuration Options

Galaxy
(Family)

GL48B4
(Model)

/

031076
(Part #)

No
(In Stock)

Terminals
(Features)

Fan Speed:	3250 RPM	Fan Bearings:	Ball Bearings
Fan Airflow Direction:	Flow R (CCW Rotation)	Fan Termination:	Terminals

Fan Monitoring Options: No Fan Monitoring Options Selected

Fan Speed Control Option: No ThermaPro-V Fan Speed Control Options Selected

Environmental Protection Options: No Enviroshield Options Selected

Comair Rotron, Inc.
Phone: 858.348.6200
sales@comairrotron.com

Comair Rotron Europe, Ltd.
Phone: +44.1527.520525
saleseurope@comairrotron.com

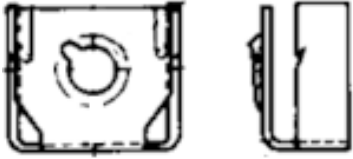
Comair Rotron Fan Company Ltd.
Phone: +86.21.52260581
salesasia@comairrotron.com

Print Date: Wednesday, March 12, 2008 at 04:48:53 - DC Fan Datasheet - Web Version 1.0 Rev. B

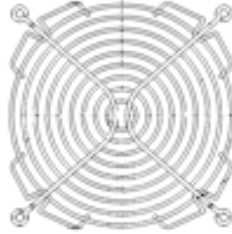


Accessories [\(Click on part number for detailed drawing.\)](#)

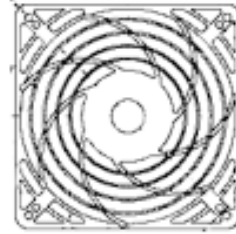
550113
Mounting Clip



557216
Finger Guard



550651
Finger Guard



Comair Rotron, Inc.
Phone: 858.348.6200
sales@comairrotron.com

Comair Rotron Europe, Ltd.
Phone: +44.1527.520525
saleseurope@comairrotron.com

Comair Rotron Fan Company Ltd.
Phone: +86.21.52260581
salesasia@comairrotron.com

Print Date: Wednesday, March 12, 2008 at 04:48:53 - DC Fan Datasheet - Web Version 1.0 Rev. B