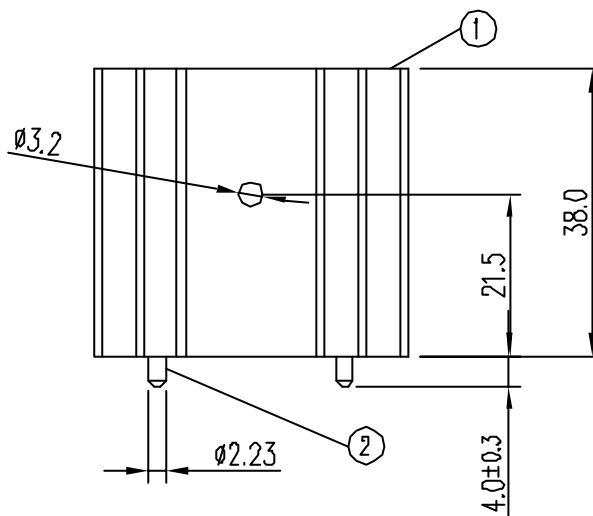
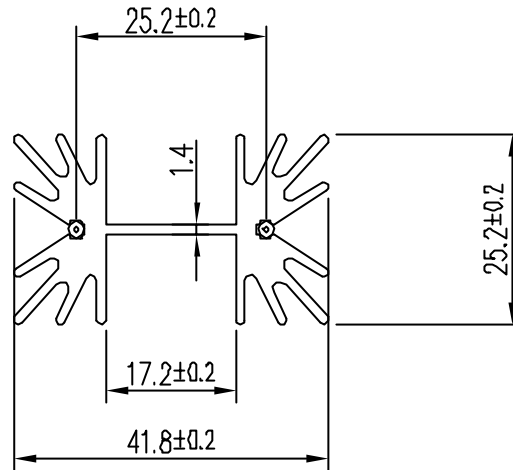



Pos.	Description	Q.ty	P/N
2	PIN-BRASS-D.2,23x15-TIN-BM012 B	2	406072G
1	HTSK-AL-DS097-38-B-ML97/38 STD	1	405144



Note: ML97/38 + pins		Scale			
		1 : 1			
THIS DOCUMENT CONTAINS AAVID THERMALLOY'S INTELLECTUAL PROPERTY WHICH IS SUPPLIED IN CONFIDENCE; IT MUST NOT BE USED FOR ANY PURPOSE OTHER THAN WHICH IT IS SUPPLIED; IT MUST NOT BE REPRODUCED WITHOUT WRITTEN PERMISSION FROM THE OWNERS		©			
		®			
 AAVID THERMALLOY EUROPE www.aaavidthermalloy.com	1	B	13Jan05	RoHS compliant pins used; ECF 323 B0 refers	AS
	2	A	04Apr02	ORIGINAL (was L097850)	
Formak	44	REV	Date	Revision description	By
Mat. n.			MATERIAL Aluminium EN AW-6060		DRAWING n. BC067
Factor			GENERAL TOLERANCES	Extrusion UNI3879	Description: KIT-AL-DS097-38-B-PINS-ML97 STD-CONF MN 200pz - BC067 B
Perim.			Machining UNI2768m		
Area			FINISH BLACK ANODIZATION		Vis. n. 405145G
Weight					Drawn A. Bizzarri
				Check	

Via XXV Aprile, 82
 40057 Castellano - Bologna ITALY SWINDON WILTS SN2 2DN UK
 Tel. +39 051 784011 Tel. +44 1793 401488
 Fax +39 051 784090 Fax +44 1793 616398

COMPANY WITH QUALITY SYSTEM CERTIFIED BY LROA
 ISO 9001:2000