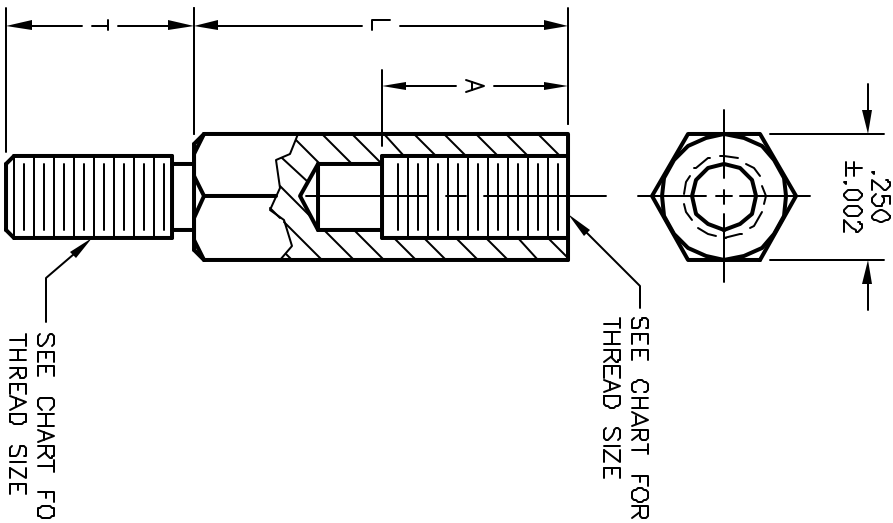


ALL RIGHTS RESERVED. NO PORTION OF THIS PUBLICATION, WHETHER IN WHOLE OR IN PART CAN BE REPRODUCED WITHOUT THE EXPRESS WRITTEN CONSENT OF SPC TECHNOLOGY.

REVISIONS		DOC. NO.	SPC-F005	Effective:	12/21/98	DCP No.	860	
DOP #	REV	DESCRIPTION	DRAWN	DATE	CHECKD	DATE	APPRVD	DATE
564	A	RELEASED	D.J.C.	1/21/99	JC	1/22/99	JMM	1/29/99
914	B	CHANGE TO TA-239	HYO	3/21/00	JC	3/21/00	JC	3/21/00



1. MATERIAL: ALUMINUM
2. FINISH: CLEAR IRIDITE

SPC TYPE NO.	LENGTH (L)	INTERNAL LENGTH (A)	EXTERNAL LENGTH (T)	THREAD SIZE
2731	1/4 (.250)	.130/.150		
2713	3/8 (.375)	1/4 (.250)		
2714	1/2 (.500)			
2715	5/8 (.625)		3/16 (.187)	4-40
2716	3/4 (.750)	1/4 (.250)		
2717	7/8 (.875)			
2718	1 (1.000)			
2732	1/4 (.250)	.130/.150		
2719	3/8 (.375)	1/4 (.250)		
2720	1/2 (.500)			
2721	5/8 (.625)		1/4 (.250)	6-32
2722	3/4 (.750)	3/8 (.375)		
2723	7/8 (.875)			
2724	1 (1.000)			
2725	3/8 (.375)	1/4 (.250)		
2726	1/2 (.500)			
2727	5/8 (.625)			
2728	3/4 (.750)	3/8 (.375)	3/8 (.375)	8-32
2729	7/8 (.875)			
2730	1 (1.000)			

DISCLAIMER
 ALL STATEMENTS AND TECHNICAL INFORMATION CONTAINED HEREIN ARE BASED UPON INFORMATION AND/OR TESTS WE BELIEVE TO BE ACCURATE AND RELIABLE. SINCE CONDITIONS OF USE ARE BEYOND OUR CONTROL, THE USER SHALL DETERMINE THE SUITABILITY OF THE PRODUCT FOR THE INTENDED USE AND ASSUME ALL RISK AND LIABILITY WHATSOEVER IN CONNECTION THEREWITH.



SPC TECHNOLOGY

DRAWING TITLE:

HEX MALE FEMALE STANDOFF

DRAWN BY:	DATE:
DANIEL CAREY	1/21/99
CHECKED BY:	DATE:
JOHN COLE	1/22/99
APPROVED BY:	DATE:
JEFF MCVICKER	1/29/99

TOLERANCES UNLESS OTHERWISE SPECIFIED
 DECIMAL ± .005

SIZE	DWG. NO.	ELECTRONIC FILE	REV
A	TA-239	TA-239.DWG	B
SCALE:	NTS	U.O.M.: INCHES	SHEET: 1 OF 1