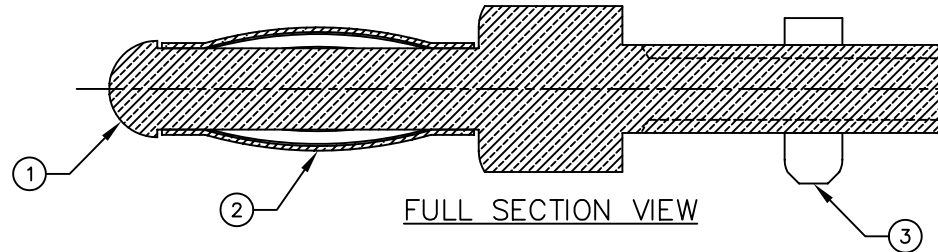


BILL OF MATERIALS

DET.	QTY.	DESCRIPTION	MATERIAL	PLATING
1	1	BODY	BRASS	GOLD
2	1	CONTACT	BERYLLIUM COPPER	GOLD
3	1	HEX NUT	BRASS	GOLD

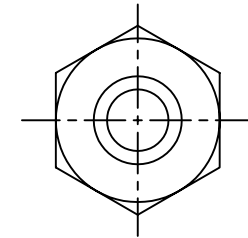
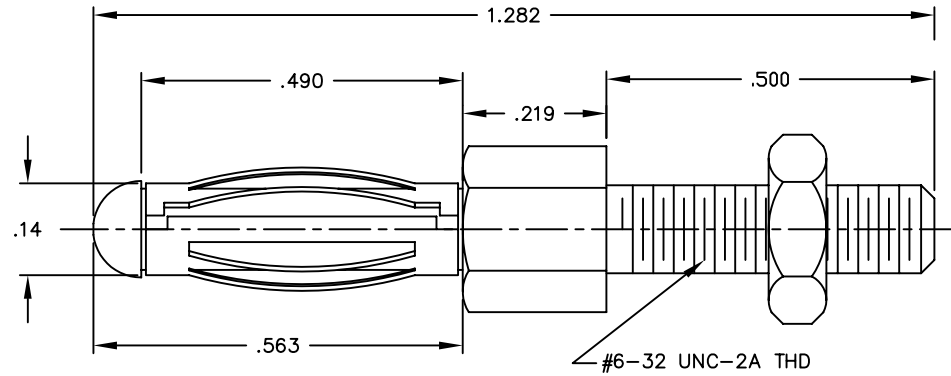
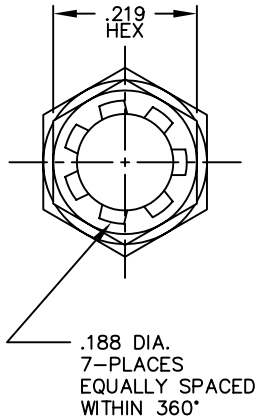
REVISIONS

SYM	DESCRIPTION	REVISED BY	DATE	APPR



NOTE:

TO BE PACKAGED WITH NUT UNFASTENED



MATERIAL: SEE TABLE			FINISH: SEE TABLE			<h1 style="text-align: center;">ABBATRON</h1> <p style="text-align: center;">Electronic Connectors and Hardware 632 Arch Street, Meadville, Pa. 16335</p>					
DIMENSIONAL TOLERANCES UNLESS OTHERWISE SPECIFIED			TITLE: 425AA						SIZE	DRAWING NUMBER	ISSUE
.XX	.XXX	.XXXX	BANANA PLUG ASSEMBLY								
±.015	±.005	---									
FRACTIONS	ANGLES	SCALE	DRAWN: E.McKINNEY DATE: 02-02-99			B	SD-425AA	D			
±1/64	±1/2°	5:1	CHECKED: E.McKINNEY DATE: 02-02-99								
HEAT TREAT: ---			APPROVED: GERRY TERRILL DATE: 02-25-99								
PLOT SCALE: 1=1											