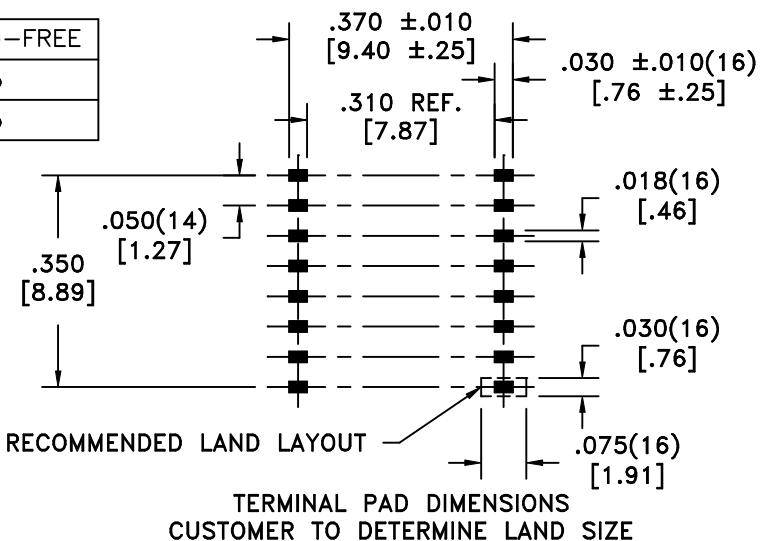
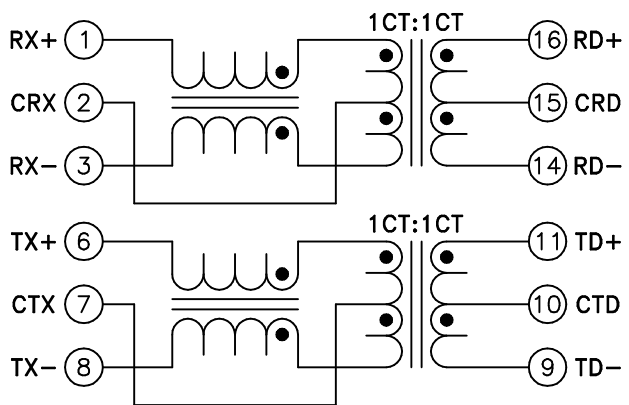


SOLDER SUFFIX	CUSTOMER TERMINAL	RoHS	LEAD(Pb)-FREE
	Sn63%, Pb37%	No	No
LF1	Sn96%, Ag4%	Yes	No



ELECTRICAL SPECIFICATIONS @ 25°C unless otherwise noted:

- INSERTION LOSS: -1.0dB max., 300k - 100MHz.
- DIELECTRIC RATING: 1500Vrms, 1 minute tested by applying 1875Vrms for 1 second between 1-16(tie 1+6, 16+11).
- INDUCTANCE: 350uH min., 100kHz, 100mVAC, 8mADC, 1-3; 6-8, Lp.
- RETURN LOSS: -18dB min., 300k - 30MHz. -14dB min., 45M - 60MHz.
-16dB min., 30M - 45MHz. -12dB min., 60M - 80MHz.
- URNS RATIO & POLARITY: Per Schematic.
- CROSSTALK: -65dB min., 1MHz. -55dB min., 30MHz.
-45dB min., 60MHz. -35dB min., 100MHz.
- CMDR: -40dB min., 300k - 100MHz.
- CMRR: -30dB min., 300k - 100MHz.
- OPERATING TEMPERATURE RANGE: -40°C to +85°C.
- COPLANARITY: All 16 terminals must lie on a plane within .004 [.10] of Surface A after lead tinning.
- Midcom p/n 000-7315-37R-LF1 is eiSos p/n: 749010014.

Unless otherwise specified:
Tolerances:
Angles: ±1°
Fractions: ±1/64
Decimals: ±.005[.13]

This drawing is dual dimensioned.
Dimensions in brackets are in millimeters.

DRAWING TITLE
TRANSFORMER
PDSO-G16
eiSos p/n: 749010014

REVISIONS: SEE SHEET 1

Midcom www.midcom-inc.com

DRAWING NO. 000-7315-37R/16
REV. 7/07

SCALE --- SHEET 2 OF 8

DWG.# 000-7315-37R-LF1