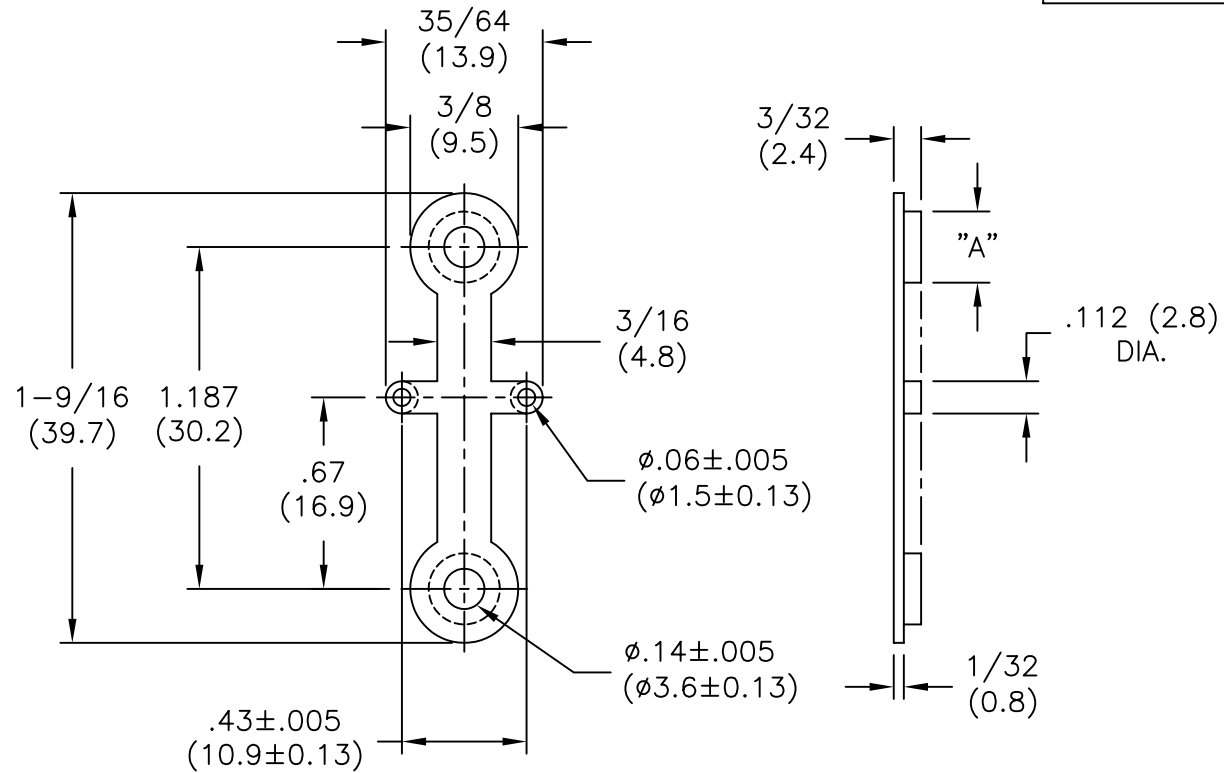


| | |
|--------------|---|
| PART NO. | "A" DIA. |
| IEC-TO3-3-18 | .184 (4.7) TO FIT .187 (4.8) DIA. HOLE |
| IEC-TO3-4-18 | .247 (6.3) TO FIT .250 (6.4) DIA. HOLE |



NOTES:

1. MATERIAL: GLASS FILLED NYLON (RMS-18).
2. COLOR: BLACK

| | | | | | |
|--|---|--|------|-------------------|---------------|
| TITLE: TO-3 INSULATOR, BASE | | | | DWG IN IN (MM) | |
| TOLERANCES UNLESS NOTED .XX=±.010 .XXX=±.005 FRAC=±1/64 ANG=±1° | FILE # IEC-TO3 | DWN: JB/PB | APP: | FINAL | |
| | MAT'L: SEE NOTES | DT: 01/05/95 | DT: | PART # | PRINT TYPE |
| | RE: RICHCO, INC. | RICHCO INC. PO BOX 804238, CHICAGO, 60680 (773) 539-4060 | | SEE TABLE | CA |
| A | UPDATED DIMENSIONS AND CHANGED FILE NO. | SM 06.19.02 | | | |
| REV | DESCRIPTION | ENGR DATE | | | |