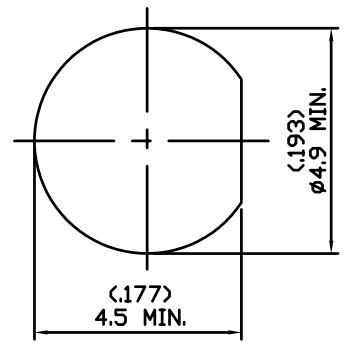
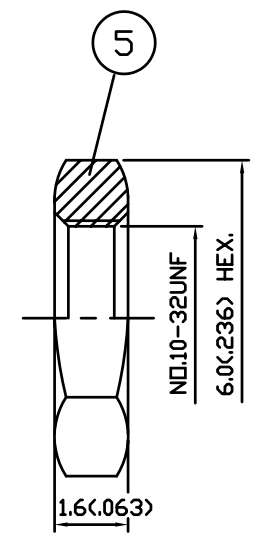
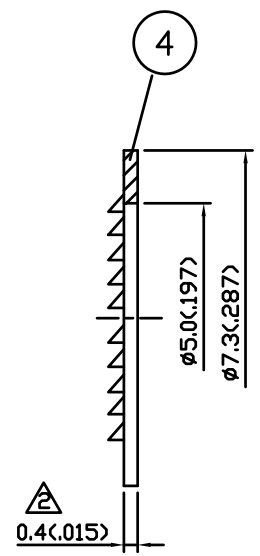
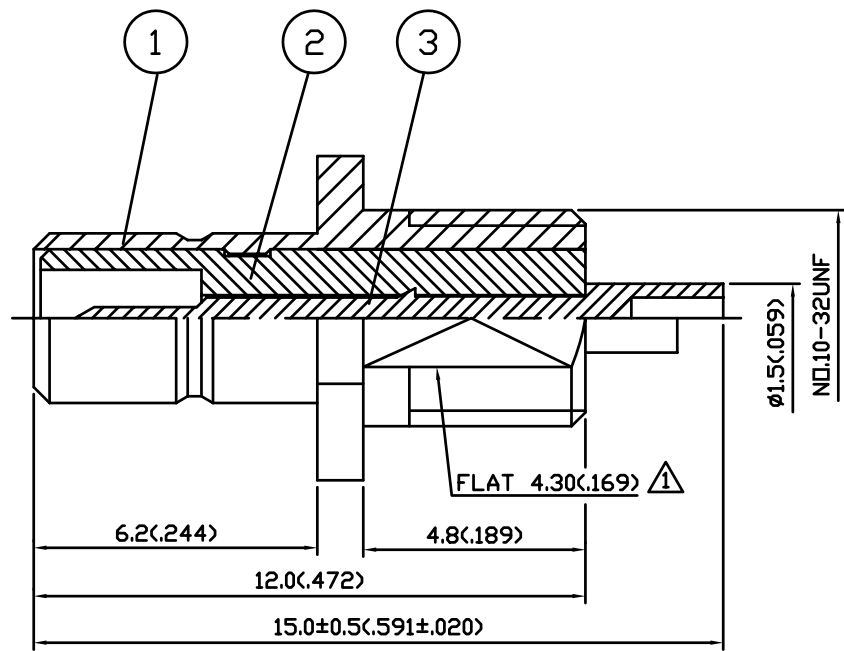


NO	DESCRIPTION	DATE
⚠	FLAT 4.5 — FLAT 4.30	01.18.96'
⚠	0.3 — 0.4	07.14.97'
⚠	BACKGROUND FORMAT UPDATED	06.27.02'



NOTES: UNLESS OTHERWISE SPECIFIED

1. BODIES: BRASS PER JIS-C3604
2. CENTER CONTACT: BRASS PER JIS-C3604
3. INSULATION: TEFLON PER ASTM D1457 AND ASTM D1710
4. CONNECTOR INTERFACE PER MIL-STD-348A
5. PART TO BE CLEAN AND FREE OF BURRS

NO	DESCRIPTION	MATERIAL	Q'TY	FINISH
5	NUT	BRASS	1	GOLD 3μ" MIN.
4	WASHER	BRASS	1	GOLD 3μ" MIN.
3	CENTER CONTACT	BRASS	1	GOLD 30μ" MIN.
2	INSULATION	TEFLON	1	NONE
1	BODY	BRASS	1	GOLD 3μ" MIN.

製圖	DRAWN	TOLERANCE	品名	24-10-1 (50Ω)	日期	DATE	版次	REV.	
	袁金玉								.X ±0.2
檢圖	CHECK	.XX ±0.1	單位	UNIT	DWG.NO.	24-0020	佳楠精密電子股份有限公司 CHIN NAN PRECISION ELECTRONICS CO.,LTD.		
	袁金華	.XXX ±0.05	mm(in)	SCALE					
認定	APPROVAL	蘇文申	比例	8:1					