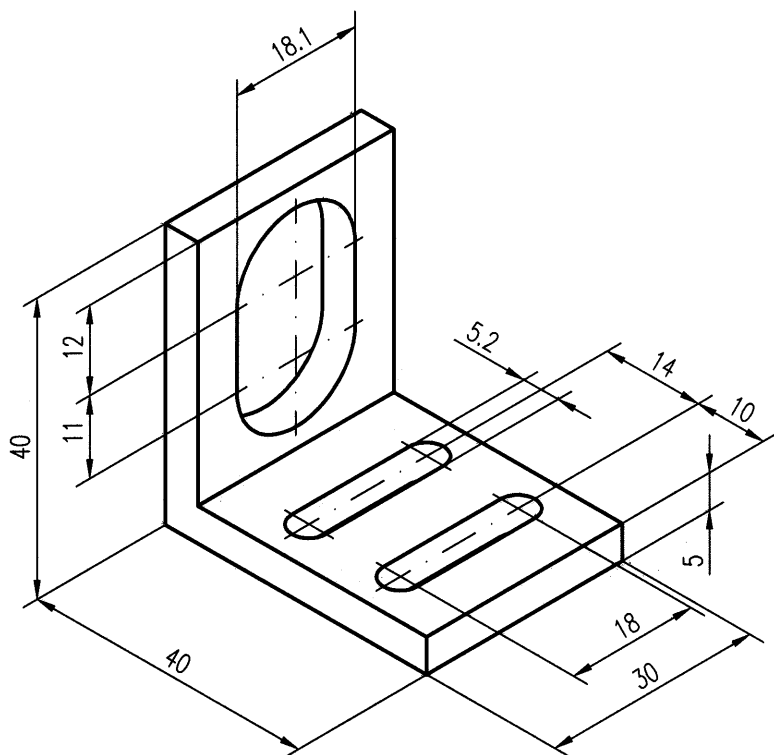


Mounting Bracket

30 x 40 x 40

BES 18-HW-1

BAM00EY



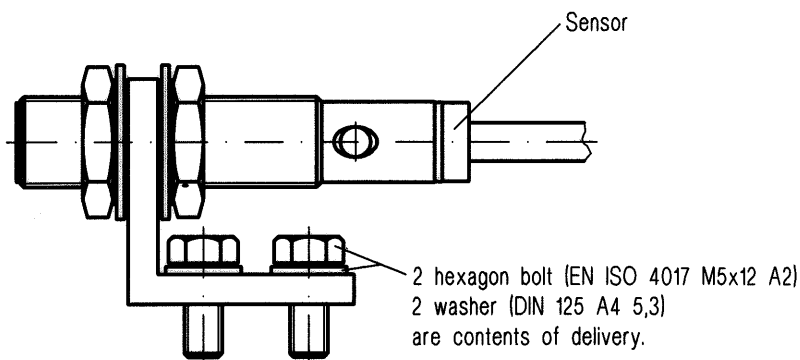
Use

The mounting bracket is used for securing sensors M18x1

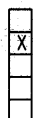
Data

Material Aluminium

Installation Example



Definitions see general catalog



HOLCZM 06.04.2009 Modifications reserved Mod.-No. 05.109919

Balluff GmbH, P.O. Box 1160, 73761 Neuhausen, Germany
Phone: +49 7158 1730, Fax: +49 7158 5010