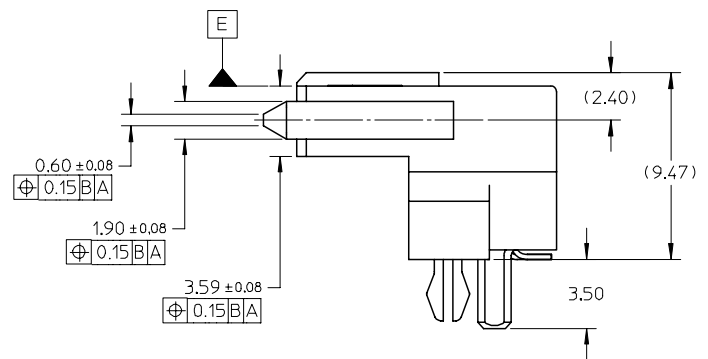
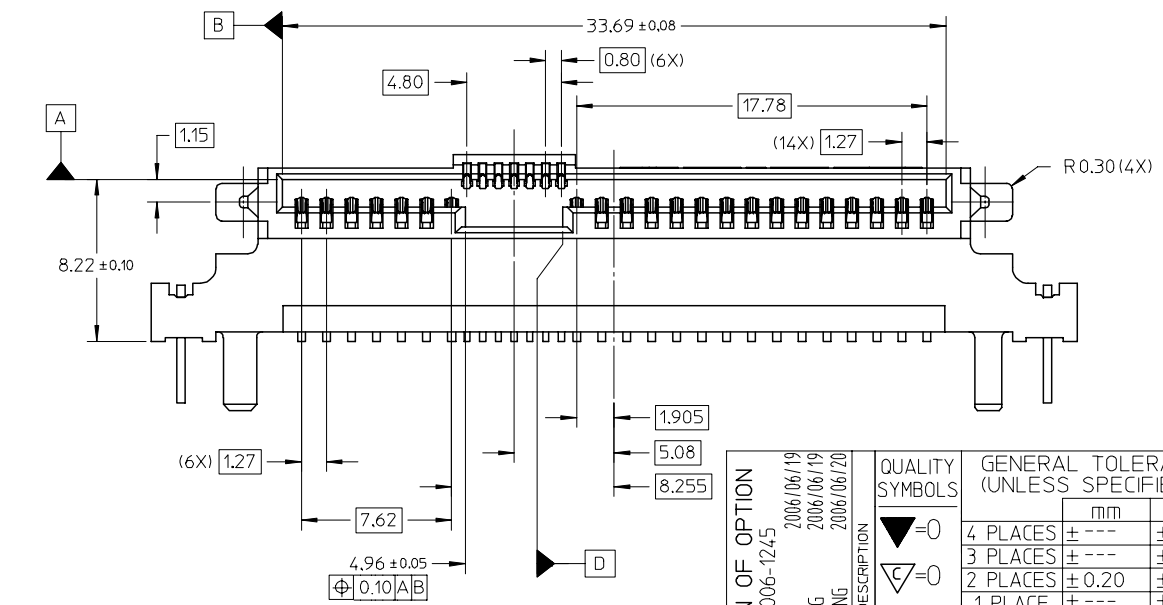


- NOTES:
- MATERIAL  
HOUSING: NYLON 9T, GLASS FILLED, UL 94V-0, BLACK  
TERMINAL: COPPER ALLOY  
FORK LOCK/BLADE: COPPER ALLOY
  - PLATING:  
TERMINAL:  
CONTACT: 0.76µm MIN. SELECTIVE GOLD OVER 1.27µm MIN. NICKEL UNDERPLATE  
SOLDERTAIL: 2.54µm MIN. TIN OVER 1.27µm MIN. NICKEL UNDERPLATE  
FORK LOCK/BLADE:  
2.54µm MIN. TIN OVER 1.27µm MIN. NICKEL UNDERPLATE
  - MOLEX LOGO LOCATED APPROXIMATELY AS SHOWN
  - NON FUNCTIONAL CORE HOLE MAY VARY
  - THIS PRODUCT IS COMPLIANT TO RoHS DIRECTIVE WITH THE FOLLOWING BANNED SUBSTANCES - LEAD, MERCURY, CADMIUM, HEXAVALENT CHROMIUM, POLYBROMINATED BIPHENYLS AND POLYBROMINATED DIPHENYL ETHERS.
  - PRODUCT SPECIFICATION PS-87945-034 APPLIES.
  - MATES WITH : SFF-8482 PLUG  
SATA PLUG SERIES 87679, 87703 AND 87799
  - PACKAGING : TRAY

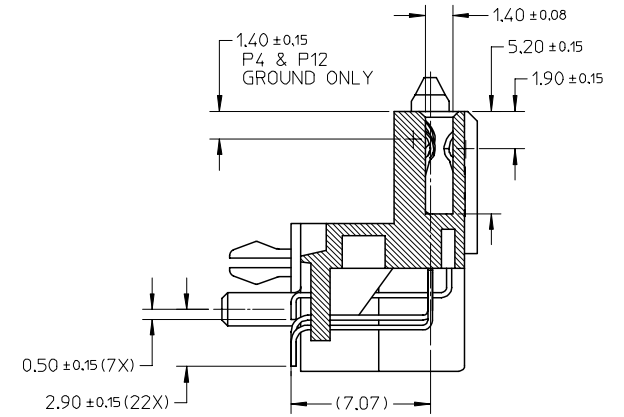
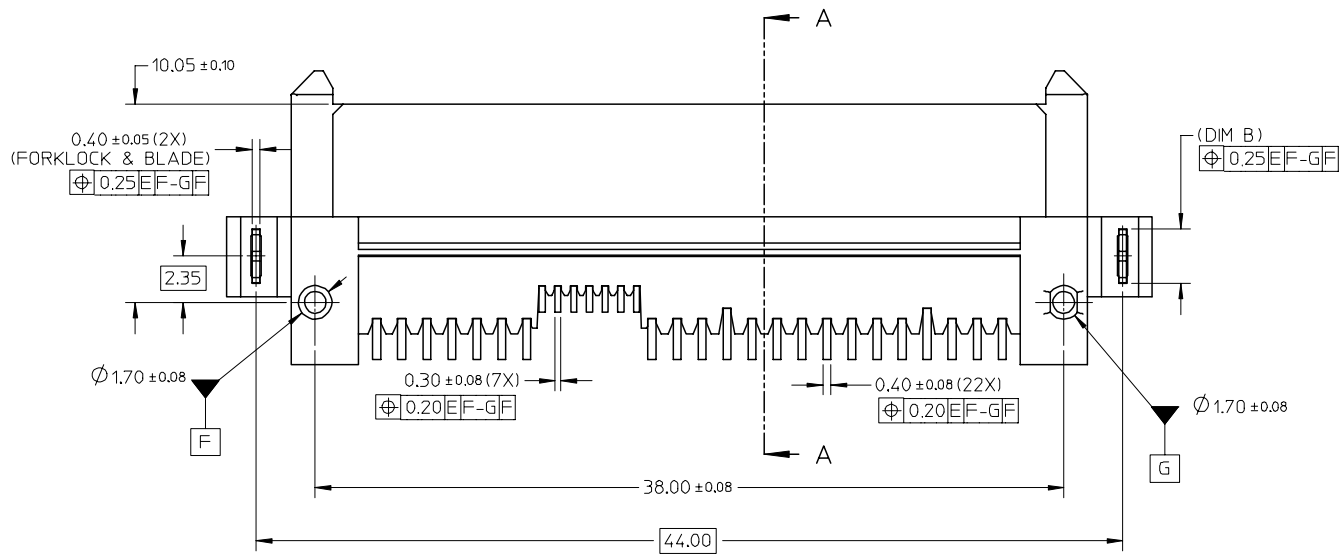
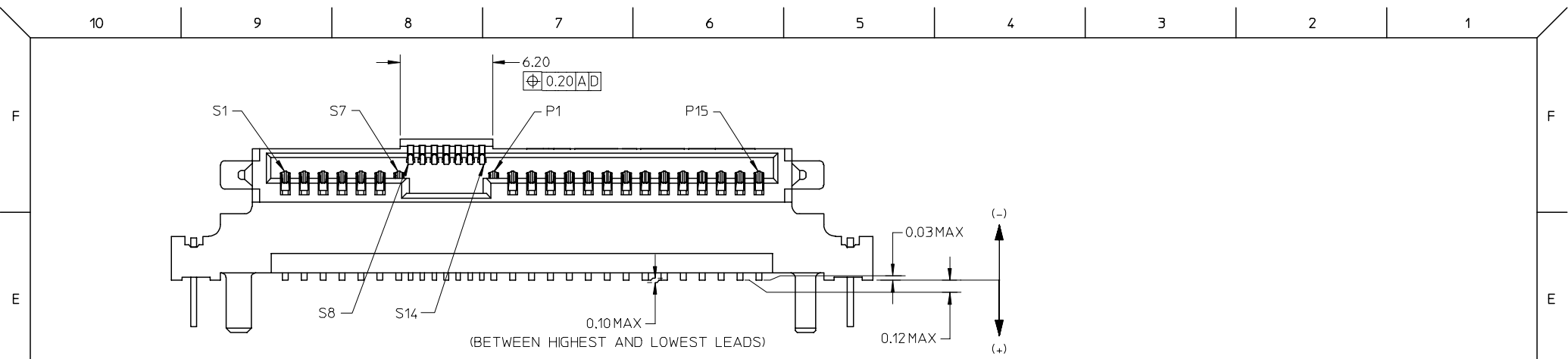


ADDITION OF OPTION	QUALITY SYMBOLS
EC NO: S2006-1245	▽=0
DRWN:YKOH	▽=0
CHKD:SHOH	
APPR:KCLING	
REV	DESCRIPTION
B	

GENERAL TOLERANCES (UNLESS SPECIFIED)	
mm	INCH
4 PLACES ± ---	± ---
3 PLACES ± ---	± ---
2 PLACES ± 0.20	± ---
1 PLACE ± ---	± ---
ANGULAR ± 3 °	
DRAFT WHERE APPLICABLE MUST REMAIN WITHIN DIMENSIONS	

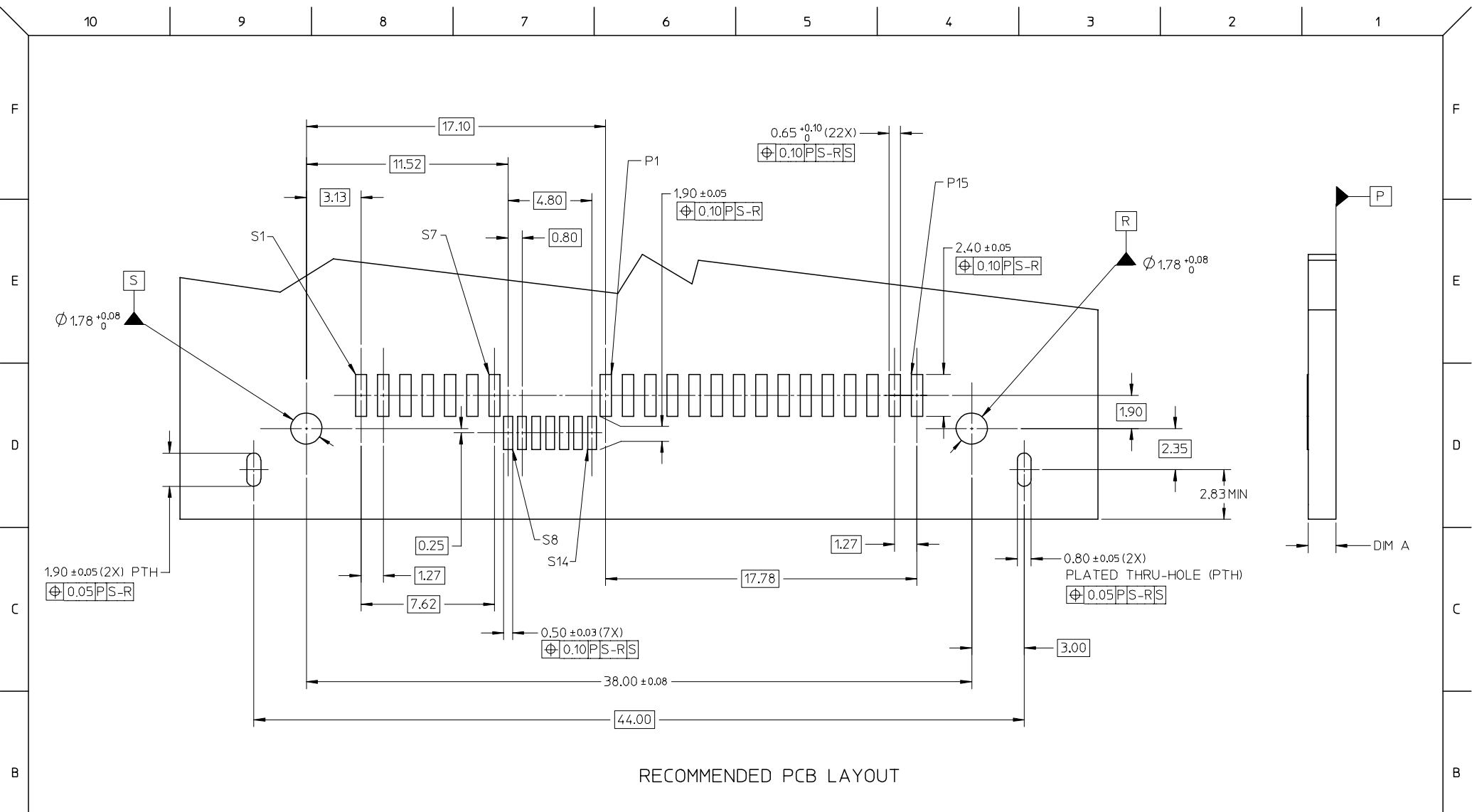
DIMENSION STYLE	
MM ONLY	
DRAWN BY	DATE
KCHO	2005/02/22
CHECKED BY	DATE
DKOH	2005/03/23
APPROVED BY	DATE
SKTOH	2005/03/23
MATERIAL NO.	DOCUMENT NO.
SEE TABLE	SD-87945-001
SIZE	
A3	

SCALE	DESIGN UNITS	THIRD ANGLE PROJECTION
NTS	METRIC	
TITLE		
SERIAL ATTACH SCSI RECEPTACLE, RIGHT-ANGLE SMT, 7.07MM HEIGHT		
MOLEX INCORPORATED		
DOCUMENT NO.		SHEET NO.
SD-87945-001		1 OF 4
THIS DRAWING CONTAINS INFORMATION THAT IS PROPRIETARY TO MOLEX INCORPORATED AND SHOULD NOT BE USED WITHOUT WRITTEN PERMISSION		



SECTION A-A

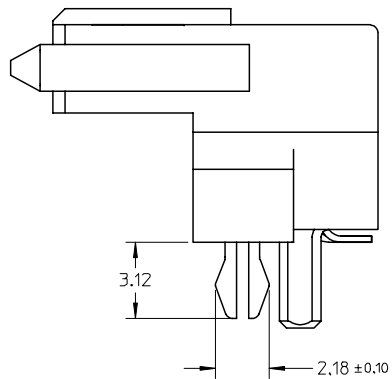
ADDITION OF OPTION EC NO: S2006-1245 DRWN:YKOH CHKD:SHONG APPR:KCLING	2006/06/19	QUALITY SYMBOLS ▽=0 ▽=0	GENERAL TOLERANCES (UNLESS SPECIFIED)		DIMENSION STYLE MM ONLY		SCALE NTS	DESIGN UNITS METRIC	THIRD ANGLE PROJECTION		
	2006/06/19		4 PLACES ± ---	± ---	DRAWN BY KCHO	DATE 2005/02/22	TITLE <b>SERIAL ATTACH SCSI RECEPTACLE, RIGHT-ANGLE SMT, 7.07MM HEIGHT</b>				
	2006/06/20		3 PLACES ± ---	± ---	CHECKED BY DKOH	DATE 2005/03/23					
			2 PLACES ± 0.20	± ---	APPROVED BY SKTOH		DATE 2005/03/23	MOLEX INCORPORATED			
	1 PLACE ± ---	± ---	ANGULAR ± 3 °		MATERIAL NO.		DOCUMENT NO.		SHEET NO.		
			DRAFT WHERE APPLICABLE MUST REMAIN WITHIN DIMENSIONS		SEE TABLE		SD-87945-001		2 OF 4		



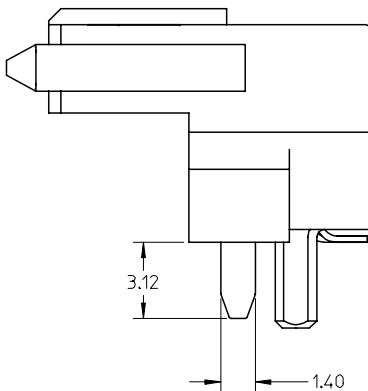
RECOMMENDED PCB LAYOUT

ADDITION OF OPTION EC NO: S2006-1245 DRWN:YKH CHKD:SHH APPR:KCL 2006/06/19 2006/06/19 2006/06/20	QUALITY SYMBOLS ▽=0 ▽=0	GENERAL TOLERANCES (UNLESS SPECIFIED)		DIMENSION STYLE MM ONLY		SCALE NTS	DESIGN UNITS METRIC	THIRD ANGLE PROJECTION																
		<table border="1"> <thead> <tr> <th></th> <th>mm</th> <th>INCH</th> </tr> </thead> <tbody> <tr> <td>4 PLACES</td> <td>±---</td> <td>±---</td> </tr> <tr> <td>3 PLACES</td> <td>±---</td> <td>±---</td> </tr> <tr> <td>2 PLACES</td> <td>±0.20</td> <td>±---</td> </tr> <tr> <td>1 PLACE</td> <td>±---</td> <td>±---</td> </tr> </tbody> </table>			mm	INCH	4 PLACES	±---	±---	3 PLACES	±---	±---	2 PLACES	±0.20	±---	1 PLACE	±---	±---	DRAWN BY KCHO DATE 2005/02/22		TITLE SERIAL ATTACH SCSI RECEPTACLE, RIGHT-ANGLE SMT, 7.07MM HEIGHT			
			mm	INCH																				
		4 PLACES	±---	±---																				
3 PLACES	±---	±---																						
2 PLACES	±0.20	±---																						
1 PLACE	±---	±---																						
ANGULAR ± 3 °		CHECKED BY DKOH DATE 2005/03/23		MOLEX INCORPORATED																				
DRAFT WHERE APPLICABLE MUST REMAIN WITHIN DIMENSIONS		APPROVED BY SKTOH DATE 2005/03/23		MATERIAL NO. SEE TABLE		DOCUMENT NO. SD-87945-001		SHEET NO. 3 OF 4																

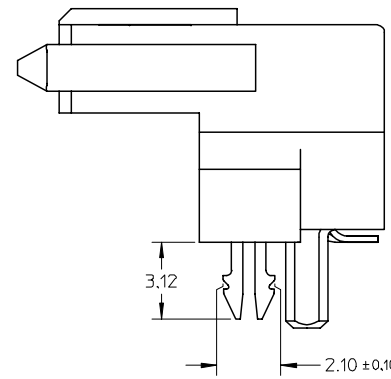
					5	4	3	2	1
					PART NUMBER	HOLD DOWN	DIM A (PCB THICKNESS)		DIM B
					87945-0001	FORKLOCK	1.60±0.10		(2.18)
					87945-0002	BLADE	-		(1.40)
					87945-1001	FORKLOCK	1.834±0.183 TO 2.20±0.22 PCB FORKLOCK HOLE MUST BE PLATED THRU-HOLE (PTH) REGARDLESS WHETHER FORKLOCK IS SOLDERED OR NOT		(2.10)



87945-0001



87945-0002



87945-1001

ADDITION OF OPTION EC NO: S2006-1245 DRWN:YKH CHKD:SHONG APPR:KCLING	2006/06/19 2006/06/19 2006/06/20	DESCRIPTION REV	QUALITY SYMBOLS	GENERAL TOLERANCES (UNLESS SPECIFIED)	DIMENSION STYLE	SCALE	DESIGN UNITS	THIRD ANGLE PROJECTION																		
			$\nabla=0$ $\triangle=0$	<table border="1"> <tr> <td></td> <td>mm</td> <td>INCH</td> </tr> <tr> <td>4 PLACES</td> <td>± ---</td> <td>± ---</td> </tr> <tr> <td>3 PLACES</td> <td>± ---</td> <td>± ---</td> </tr> <tr> <td>2 PLACES</td> <td>± 0.20</td> <td>± ---</td> </tr> <tr> <td>1 PLACE</td> <td>± ---</td> <td>± ---</td> </tr> <tr> <td colspan="3">ANGULAR ± 3 °</td> </tr> </table>		mm	INCH	4 PLACES	± ---	± ---	3 PLACES	± ---	± ---	2 PLACES	± 0.20	± ---	1 PLACE	± ---	± ---	ANGULAR ± 3 °			MM ONLY	NTS	METRIC	
				mm	INCH																					
			4 PLACES	± ---	± ---																					
3 PLACES	± ---	± ---																								
2 PLACES	± 0.20	± ---																								
1 PLACE	± ---	± ---																								
ANGULAR ± 3 °																										
	DRAFT WHERE APPLICABLE MUST REMAIN WITHIN DIMENSIONS	<table border="1"> <tr> <td>DRAWN BY</td> <td>DATE</td> <td>TITLE</td> </tr> <tr> <td>KCHO</td> <td>2005/02/22</td> <td rowspan="2">SERIAL ATTACH SCSI RECEPTACLE, RIGHT-ANGLE SMT, 7.07MM HEIGHT</td> </tr> <tr> <td>CHECKED BY</td> <td>DATE</td> </tr> <tr> <td>DKOH</td> <td>2005/03/23</td> <td></td> </tr> <tr> <td>APPROVED BY</td> <td>DATE</td> <td></td> </tr> <tr> <td>SKTOH</td> <td>2005/03/23</td> <td></td> </tr> </table>	DRAWN BY	DATE	TITLE	KCHO	2005/02/22	SERIAL ATTACH SCSI RECEPTACLE, RIGHT-ANGLE SMT, 7.07MM HEIGHT	CHECKED BY	DATE	DKOH	2005/03/23		APPROVED BY	DATE		SKTOH	2005/03/23		MOLEX INCORPORATED						
DRAWN BY	DATE	TITLE																								
KCHO	2005/02/22	SERIAL ATTACH SCSI RECEPTACLE, RIGHT-ANGLE SMT, 7.07MM HEIGHT																								
CHECKED BY	DATE																									
DKOH	2005/03/23																									
APPROVED BY	DATE																									
SKTOH	2005/03/23																									
				SEE TABLE	<table border="1"> <tr> <td>MATERIAL NO.</td> <td>DOCUMENT NO.</td> <td>SHEET NO.</td> </tr> <tr> <td></td> <td>SD-87945-001</td> <td>4 OF 4</td> </tr> </table>	MATERIAL NO.	DOCUMENT NO.	SHEET NO.		SD-87945-001	4 OF 4															
MATERIAL NO.	DOCUMENT NO.	SHEET NO.																								
	SD-87945-001	4 OF 4																								