

Sealed Pushbutton Switches

P3-D

Dome
Pushbuttons

Attractive and Rugged for Wet & Dusty Environments

Quality Features:

- Attractive Dome style button.
- Two contoured button styles.
- Double-break momentary action.
- Withstands extreme shock & vibration.
- Positive tactile feedback.
- Solder and Screw terminal styles.
- Moistureproof and dusttight to IP64 & M8805 Design 2.
- Watertight: IP68 available.

Rugged pushbutton switches with new contoured dome styling. There are two design versions: flush dome and raised dome button profile. They also offer excellent mechanical and electrical performance while operating under severe conditions found in demanding applications.

The OTTO P3-D Dome series features dusttight and moisture-proof or watertight sealed construction. Add "W" to your part number for watertight seal. Expect a minimum of 100,000 operations at rated load of 10 amperes resistive or 5 amperes inductive; up to a million operations in low signal switching applications.

The OTTO P3-D Dome series is available in standard and low operating force double-break snap-action models. All are momentary action. Special contact variations are available. High contact pressure and unique contact design provide low contact resistance for low level switching capability as well as full rated service.

The OTTO P3-D Dome series is a quality precision snap-action switch designed for use in panels, control sticks, computers, instruments, heavy equipment and other demanding applications where attractive, rugged pushbutton switches are required.

9 Vibrant Colors



Standard Characteristics/Ratings:

OPERATIONAL:

Mechanical Life: 1,000,000 cycles, minimum

Seal: Moistureproof and dusttight (IP64 & M8805 Design 2), or watertight (IP68).

Operating Force: 4 ± 1 lbs. or 2.5 +0.5, -1 lbs.

Release Force: 0.75 lbs. minimum
(1 lbs. for 4 lbs. Operating Force.)

Temperature Range: -55°C to +85°C

MATERIALS:

Case: Anodized aluminum

Button: Thermoplastic.

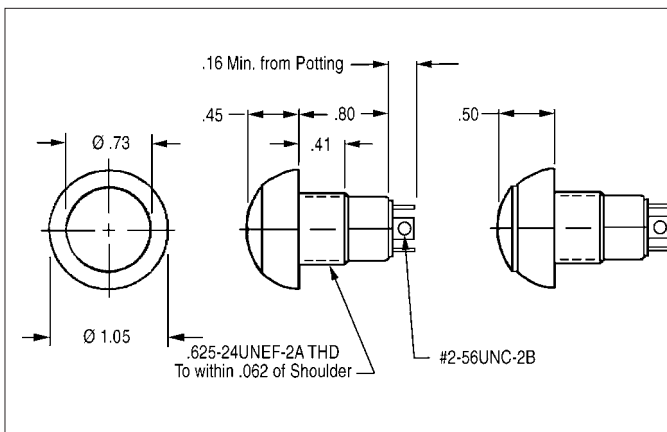
Mounting Hardware: 5/8-24 Hexnut & internal tooth Lockwasher.

Contacts: Silver alloy.

ELECTRICAL: (at 28 VDC or 115 VAC, 60/400 Hz.)

LOAD	AMPERES	LIFE (Min.)
Resistive	10	100,000 cycles
Resistive	15	25,000 cycles
Inductive	5	100,000 cycles
Lamp	3	100,000 cycles
Center Terminal	3 max.	100,000 cycles

Dielectric Withstand: 1050Vrms



P3-D PART NUMBER CODE

P 3 - D X X X X X X *

Button Style	Terminal Style/Rating	Circuit Form	Operating Force/Action	Bezel Color	Button Color
1. Flush Dome	0. Special	1. N.O.	1. 2.5 lb/Momentary	1. Clear	1. Red
2. Raised Dome	1. Solder/Standard	2. N.C.	2. 4 lb/Momentary	2. Black	2. Black
	2. Screw/Standard	3. N.C. 3-Term			3. Orange
	3. Solder/Low Level	4. N.O. 3-Term			4. Yellow
	4. Screw/Low Level	5. 5-Terminal			5. Green
		6. Two Circuit			6. Blue
					7. Purple
					8. Gray
					9. White

Example of building an OTTO part number: P3-D113124 is a switch with flush dome button, Solder terminals, standard rating; N.C. 3-Terminal circuit; 2.5 lb. operating force, momentary action; black bezel, yellow color button. * Add "W" suffix for watertight.