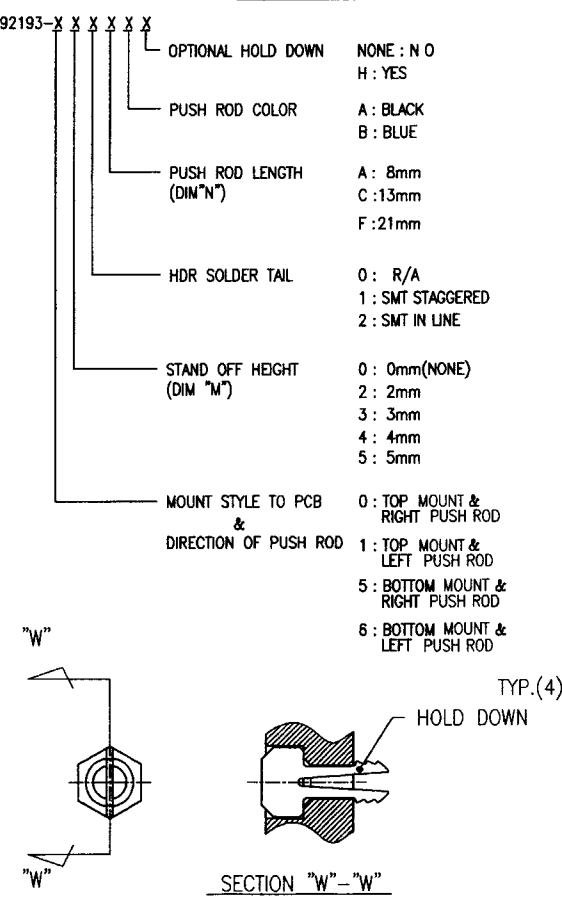
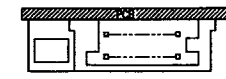
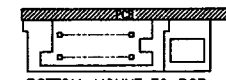
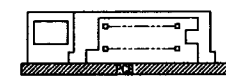
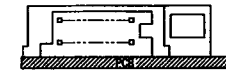


PRODUCT NO.

92193

REVISIONS				
REV	DESCRIPTION	ECN	BY	DATE
A	RELEASED	J30022	M.K	1/19/93
B	REVISED	J30128	M.K	4/27/94
C	REVISED	J40163	M.K	5/28/94
D	REVISED	V40740	M.K	6/24/94
E	REVISED	V40840	M.K	7/5/94
F	REVISED	J40198	M.K	7/19/94
G	REVISED	V32120	M.K	12/27/94
H	REVISED	J40349	M.K	1/20/95
J	REVISED	J50242	M.K	9/18/95
K	REVISED	V60956	M.K	7/29/96
L	REVISED (ADDED -050CAH -130CA -130CAH)	J70134	K.S	8/8/97
M	REVISED	N90076	M.K	7/22/99
N	REVISED (ADDED -502FA)	V91595	M.K	11/11/99

PRODUCT NO. *92193-XXXXX	STAND OFF(mm)	DIM "N" (mm)	PUSH ROD COLOR	HDR SOLDER TAIL	HOLD DOWN	MECH ASSY 92192-XXXXX	HDR ASSY 92140-XXXX	DIM "P" (mm)	HDR COLOR	SHEET NO.	MOUNT STYLE TO PCB & DIRECTION OF PUSH ROD
000AA	0	8	BLACK	R/A	NONE	00AA	000	2.8			
000CA	0	13	BLACK	R/A	NONE	00CA	000	2.8			
000CAH	0	13	BLACK	R/A	YES	00CAH	000H	2.8			
000CB	0	13	BLUE	R/A	NONE	00CB	000	2.8			
000CBH	0	13	BLUE	R/A	YES	00CBH	000H	2.8			
001AA	0	8	BLACK	SMT STAGGERED	NONE	00AA	001	-#	BLACK	NO.2	TOP MOUNT TO PCB & RIGHT PUSH ROD
001AAH	0	8	BLACK	SMT STAGGERED	YES	00AAH	001H	-#			
001CA	0	13	BLACK	SMT STAGGERED	NONE	00CA	001	-#			
001CAH	0	13	BLACK	SMT STAGGERED	YES	00CAH	001H	-#			
001FA	0	21	BLACK	SMT STAGGERED	NONE	00FA	001	-#			
001FAH	0	21	BLACK	SMT STAGGERED	YES	00FAH	001H	-#			
002CA	0	13	BLACK	SMT IN LINE	NONE	00CA	002	-#			
002CAH	0	13	BLACK	SMT IN LINE	YES	00CAH	002H	-#			
020CA	2	13	BLACK	R/A	NONE	02CA	040	2.5			
040CA	4	13	BLACK	R/A	NONE	04CA	010	2.8	BLACK	NO.3	
050CA	5	13	BLACK	R/A	NONE	05CA	020	2.8			
050CAH	5	13	BLACK	R/A	YES	05CAH	020H	2.8			
100CA	0	13	BLACK	R/A	NONE	10CA	000	2.8			
100CAH	0	13	BLACK	R/A	YES	10CAH	000H	2.8			
101CA	0	13	BLACK	SMT STAGGERED	NONE	10CA	001	-#	BLACK	NO.4	TOP MOUNT TO PCB & LEFT PUSH ROD
101CAH	0	13	BLACK	SMT STAGGERED	YES	10CAH	001H	-#			
101FA	0	21	BLACK	SMT STAGGERED	NONE	10FA	001	-#			
101FAH	0	21	BLACK	SMT STAGGERED	YES	10FAH	001H	-#			
102CA	0	13	BLACK	SMT IN LINE	NONE	10CA	002	-#			
102CAH	0	13	BLACK	SMT IN LINE	YES	10CAH	002H	-#			
120CA	2	13	BLACK	R/A	NONE	12CA	040	2.5			
120FA	2	21	BLACK	R/A	NONE	12FA	040	2.5			
130CA	3	13	BLACK	R/A	NONE	13CA	050	2.8	BLACK	NO.5	
130CAH	3	13	BLACK	R/A	YES	13CAH	050H	2.8			
140CA	4	13	BLACK	R/A	NONE	14CA	010	2.8			
150CA	5	13	BLACK	R/A	NONE	15CA	020	2.8			
500CA	0	13	BLACK	R/A	NONE	10CA	500	2.8			
500CAH	0	13	BLACK	R/A	YES	10CAH	500H	2.8			
500FA	0	21	BLACK	R/A	NONE	10FA	500	2.8			
501CA	0	13	BLACK	SMT STAGGERED	NONE	10CA	501	-#	NATURAL	NO.6	BOTTOM MOUNT TO PCB & RIGHT PUSH ROD
501CAH	0	13	BLACK	SMT STAGGERED	YES	10CAH	501H	-#			
502CA	0	13	BLACK	SMT IN LINE	NONE	10CA	502	-#			
502CAH	0	13	BLACK	SMT IN LINE	YES	10CAH	502H	-#			
502FA	0	21	BLACK	SMT IN LINE	NONE	10FA	502	-#			
520CA	2	13	BLACK	R/A	NONE	12CA	540	2.5			
540CA	4	13	BLACK	R/A	NONE	14CA	510	2.8	NATURAL	NO.7	
550CA	5	13	BLACK	R/A	NONE	15CA	520	2.8			
600CA	0	13	BLACK	R/A	NONE	00CA	500	2.8			
600CAH	0	13	BLACK	R/A	YES	00CAH	500H	2.8			
601CA	0	13	BLACK	SMT STAGGERED	NONE	00CA	501	-#	NATURAL	NO.8	BOTTOM MOUNT TO PCB & LEFT PUSH ROD
601CAH	0	13	BLACK	SMT STAGGERED	YES	00CAH	501H	-#			
602CA	0	13	BLACK	SMT IN LINE	NONE	00CA	502	-#			
602CAH	0	13	BLACK	SMT IN LINE	YES	00CAH	502H	-#			
620CA	2	13	BLACK	R/A	NONE	02CA	540	2.5			
640CA	4	13	BLACK	R/A	NONE	04CA	510	2.8	NATURAL	NO.9	
650CA	5	13	BLACK	R/A	NONE	05CA	520	2.8			



92193-xxxH
(OPTIONAL HOLD DOWN)

SHEET INDEX	ISSUE	N	K	G	J	H	K	G	H	F	DATE	CUSTOMER COPY
	SH NO.	1	2	3	4	5	6	7	8	9	11/11/99	
TOLERANCES UNLESS OTHERWISE SPECIFIED		MAT		DR		DATE		CUSTOMER COPY				
		FINISH		CHK		DATE		THIRD ANGLE PROJ				
ANGLES				APPD		DATE		UNIT				

Electronics
FCI
FRAMATOME GROUP

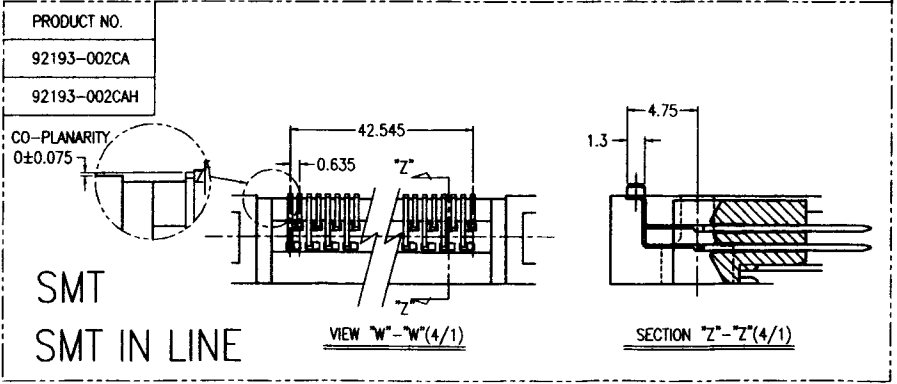
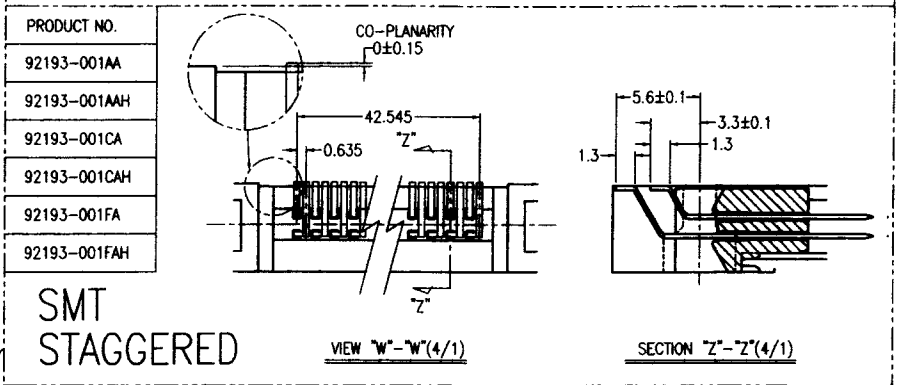
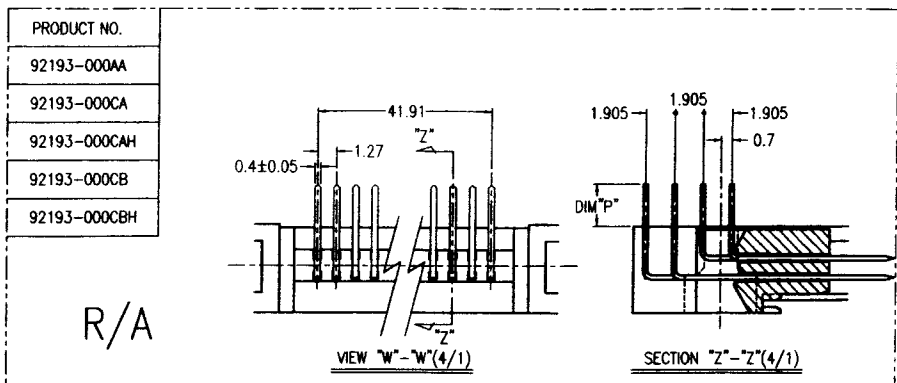
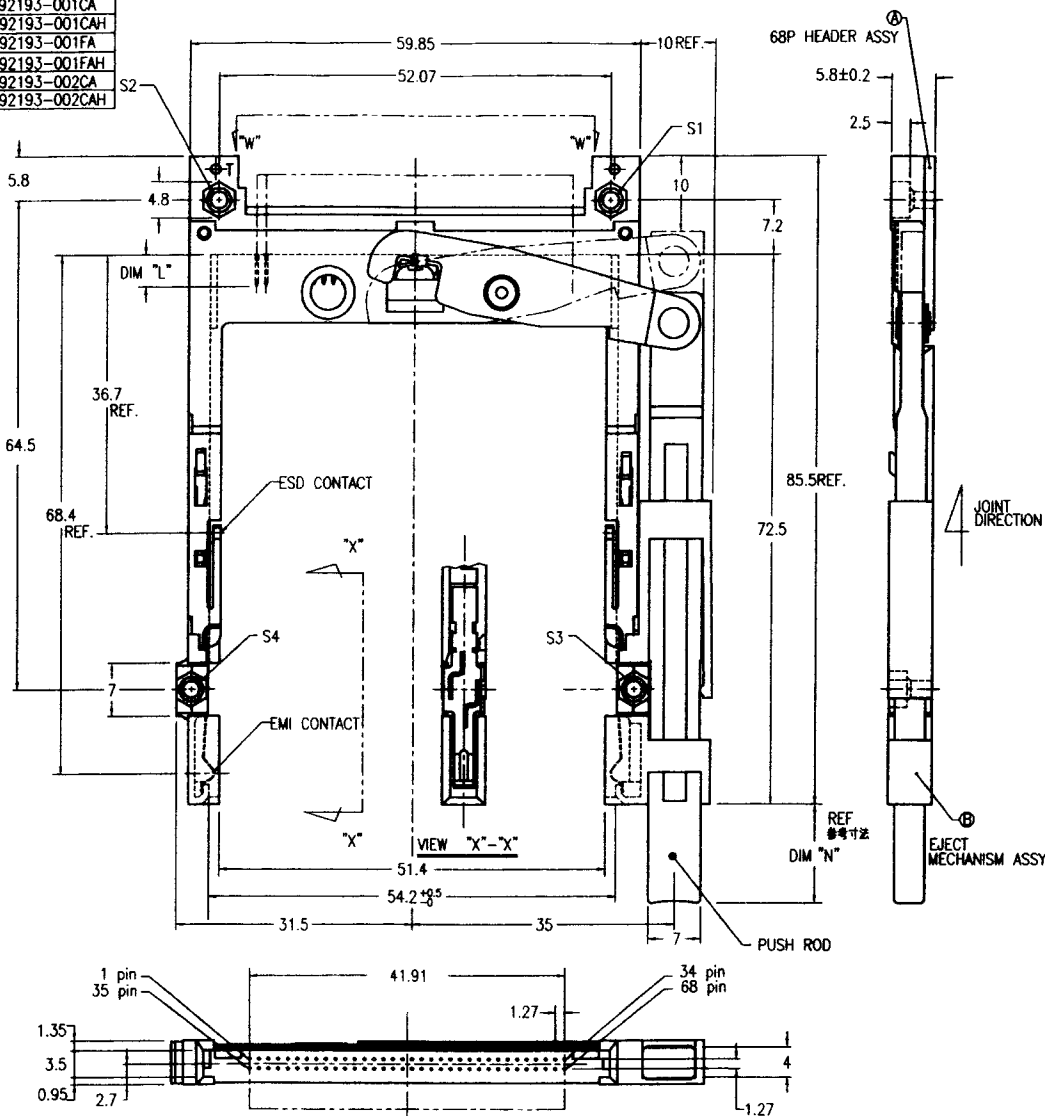
TITLE: 68P EJECTOR HEADER ASSY FOR TYPE I/ II/ III

SCALE: SIZE DWG. NO. 92193

REV SHEET N 1 of 9

NO.	92193-001AAH
AAA	92193-001CA
ACA	92193-001CAH
ACB	92193-001FA
ACBH	92193-001FAH
ACA	92193-002CA
ACAA	92193-002CAH

REVISIONS				
REV	DESCRIPTION	ECN	BY	DATE
F	REVISED	J40198	M.K	7/19/94
G	REVISED	V32120	M.K	12/27/94
H	REVISED	J40349	M.K	1/9/95
J	REVISED	J50242	M.K	9/18/95
K	REVISED	J70134	K.S	6/8/97



ACT FORCE 3.5Kg MAX.

PROCESS

0 MOUNT PART (A) ON PWB WITH SCREW (S1,S2) AND SOLDER.

0 JOINT PART (B) INTO PART (A), THEN FIX PART (B) WITH 2 SCREWS (S3,S4).

CT TRAVEL 8.0mm

RIAL

PART (A) (HEADER ASSY)

HOUSING : LCP UL94V-0

PIN : PHOSPHOR BRONZE

PART (B) (EJECT MECHANISM ASSY)

GUIDE : POLYPHTHAMID UL94V-0 BLACK

PUSH ROD : FLAME RETARDANT UL94V-0

PLATE : STAINLESS

EMI CONTACT : PHOSPHOR BRONZE

OPTIONAL HOLD-DOWN : BRASS

- ⑤ FINISH 5.1 PIN
- UNDER PLATING : 0.5 μm MIN. Ni
- CONTACT AREA : 0.1 μm MIN. Au OVER 0.5 μm MIN. Pd-Ni
- SOLDER TAIL : 2.5 μm MIN. Sn-Pb
- 5.2 EMI CONTACT
- UNDER PLATING : 2.0 μm MIN. Ni
- CONTACT AREA : 0.5 μm MIN. Au
- 5.3 OPTIONAL HOLD-DOWN : 2.5 μm MIN. Sn-Pb
6. PIN NO.

		DIM "L"	
		4.25±0.1	5.0±0.1
PIN No.	OTHERS	36.67	17.54
			35.51.88

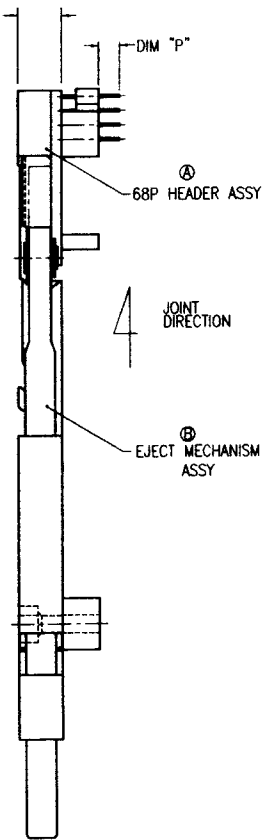
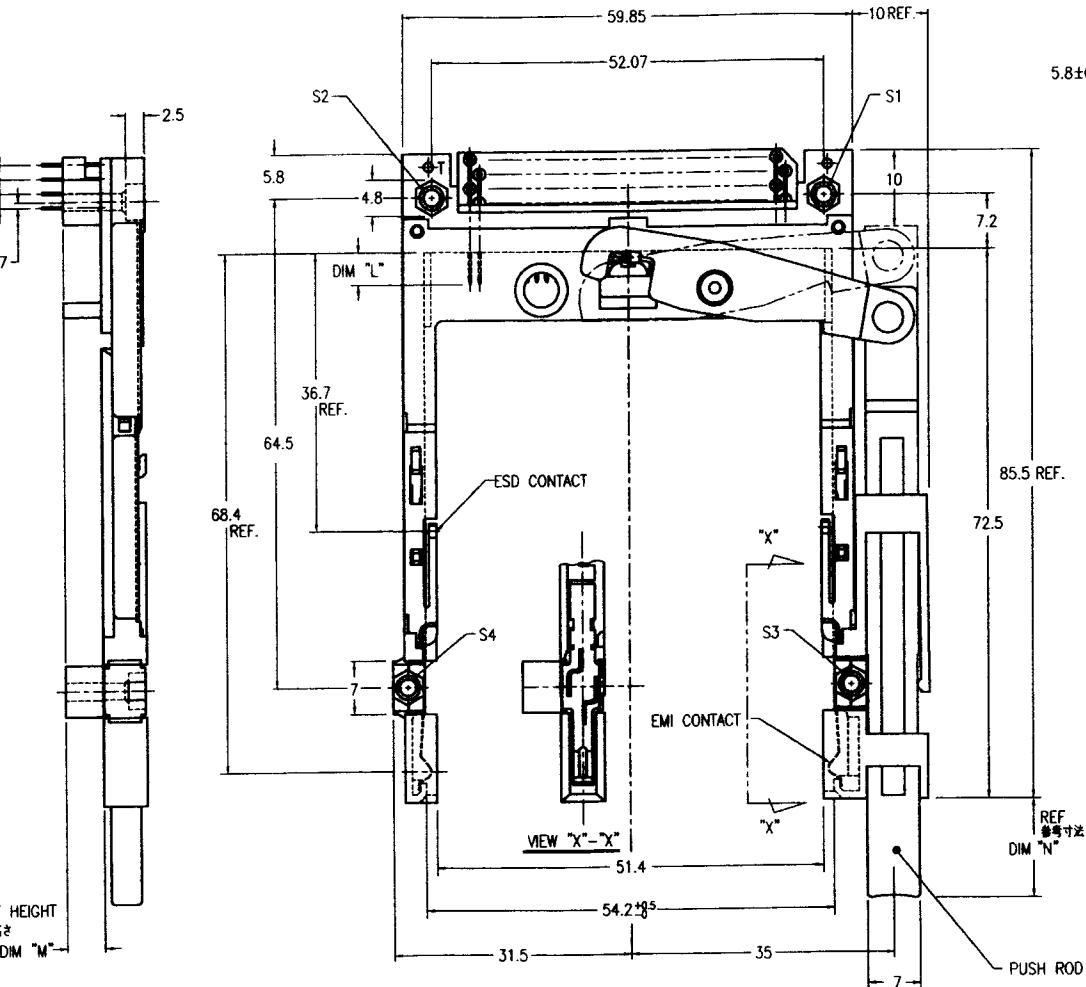
7. SEE TA-946 FOR PCB LAYOUT.
8. SEE 92140 FOR DETAILED HDR DIMENSION.
9. SEE SHEET1 REGARDING COMPONENTS.
10. GENERAL TOLERANCE : ±0.3

SHEET INDEX	ISSUE SH NO.	MAT	DR	DATE	CUSTOMER COPY	TITLE
		SEE NOTE ④	ENG	8/8/97		68P EJECTOR HEADER ASSY FOR TYPE I / II / III
LINEAR		FINISH	CHK	8/8/97	THIRD ANGLE PROJ	SCALE
ANGLES		SEE NOTE ⑤	APPR		UNIT	2/1 C 92193 K 2of



NO.
20CA
40CA
50CA
50CAH

REVISIONS				
REV	DESCRIPTION	ECN	BY	DATE
A	RELEASED	J30022	N.T	1/19/93
B	REVISED	J40163	M.K	5/26/94
C	REVISED	V40840	M.K	7/3/94
D	REVISED	V32120	M.K	12/27/94
E	REVISED	J40349	M.K	1/9/95
F	REVISED	J50242	M.K	9/18/95
G	REVISED (ADDED-050CAH)	J70134	K.S	6/8/97



- NOTE
- EJECT FORCE 3.5Kg MAX.
 - ASSY PROCESS
2.1 TO MOUNT PART (A) ON PWB WITH SCREW (S1,S2) AND SOLDER.
2.2 TO JOINT PART (B) INTO PART (A), THEN FIX PART (C) WITH 2 SCREWS (S3,S4).
 - EJECT TRAVEL 8.0mm

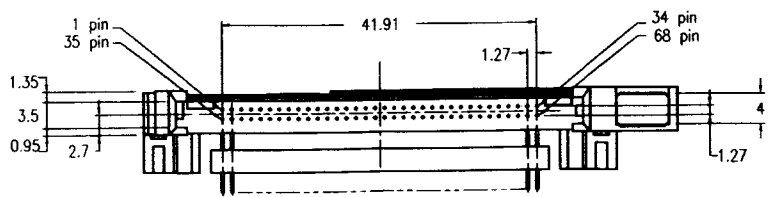
- (4) MATERIAL
- PART (A) (HEADER ASSY)
HOUSING : LCP UL94V-0
PIN : PHOSPHOR BRONZE
 - PART (B) (EJECT MECHANISM ASSY)
GUIDE : POLYPHTHARAMID UL94V-0 BLACK
PUSH ROD : FLAME RETARDANT UL94V-0
PLATE : STAINLESS
EMI CONTACT : PHOSPHOR BRONZE
STANDOFF : ZINC ALLOYS DIE CASTING

- (5) FINISH
- PIN
UNDER PLATING : 0.5 μm MIN. Ni
CONTACT AREA : 0.1 μm MIN. Au OVER 0.5 μm MIN. Pd-Ni
SOLDER TAIL : 2.5 μm MIN. Sn-Pb
 - EMI CONTACT
UNDER PLATING : 2.0 μm MIN. Ni
CONTACT AREA : 0.5 μm MIN. Au
 - STAND OFF : 3 ~ 5 μm Ni, OVER 5 ~ 10 μm Cu.

6. PIN NO.

PIN No.	DIM "L"	
	4.25±0.1	5.0±0.1
OTHERS	36.67	35.51.68

- SEE TA-946 FOR PCB LAYOUT.
- SEE 92140 FOR DETAILED HDR DIMENSION.
- SEE SHEET1 REGARDING COMPONENTS.
- GENERAL TOLERANCE : ±0.3.



SHEET INDEX	ISSUE SH NO.	MAT	DR	DATE	CUSTOMER COPY
		SEE NOTE (4)	J. Ono	8/9/97	
			K. Suguchi	8/9/97	
		SEE NOTE (5)	Haru	8/18/97	
			APPD	8/18/97	

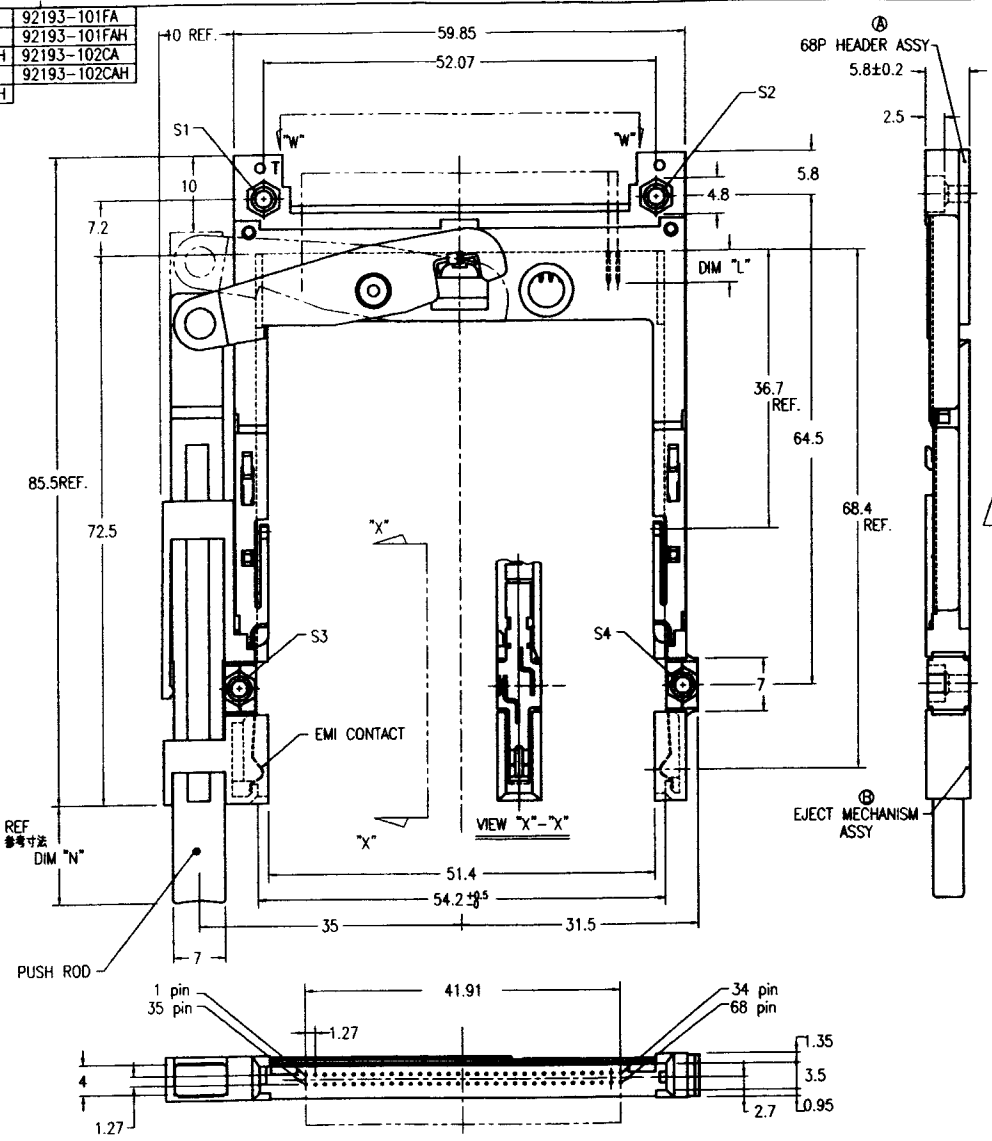
BERG
ELECTRONICS

TITLE: 68P EJECTOR HEADER ASSY FOR TYPE 1/1/III

SCALE: 2/1 SIZE: C DWG. NO.: 92193 REV: SHEET 3 of 3

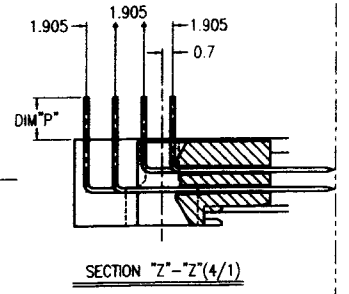
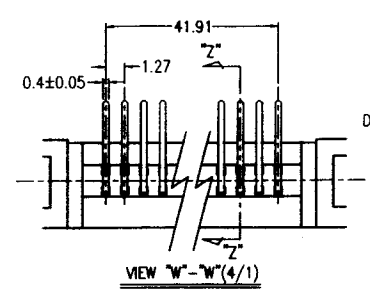
CA	92193-101FA
CAH	92193-101FAH
CA	92193-102CA
CAH	92193-102CAH

REVISIONS				
REV	DESCRIPTION	ECN	BY	DATE
E	REVISED	J40198	M.K	7/19/94
F	REVISED	V32120	M.K	12/27/94
G	REVISED	J40349	M.K	1/19/95
H	REVISED	J50242	M.K	6/18/95
J	REVISED	J70134	K.S	6/9/97



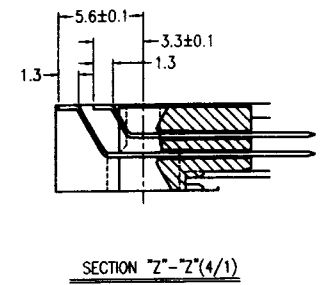
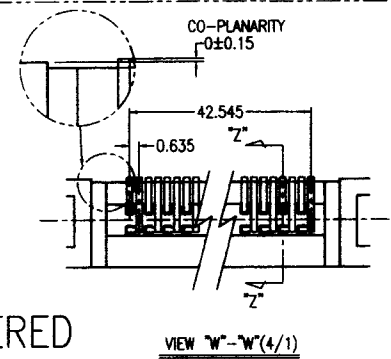
PRODUCT NO.	92193-100CA
	92193-100CAH

R/A



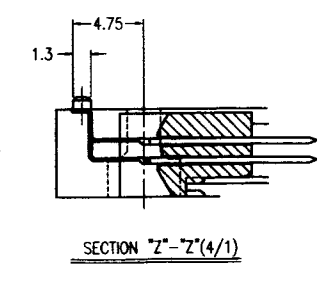
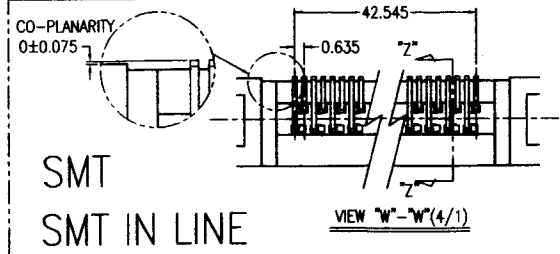
PRODUCT NO.	92193-101CA
	92193-101CAH
	92193-101FA
	92193-101FAH

SMT STAGGERED



PRODUCT NO.	92193-102CA
	92193-102CAH

SMT SMT IN LINE



EJECT FORCE 3.5Kg MAX.
 MOUNTING PROCESS
 TO MOUNT PART (A) ON PWB WITH SCREW (S1,S2) AND SOLDER.
 TO JOINT PART (B) INTO PART (A), THEN FIX PART (B) WITH 2 SCREWS (S3,S4).
 EJECT TRAVEL 8.0mm
 MATERIAL
 PART (A) (HEADER ASSY)
 HOUSING : LCP UL94V-0
 PIN : PHOSPHOR BRONZE
 PART (B) (EJECT MECHANISM ASSY)
 GUIDE : POLYPHTHARAMID UL94V-0 BLACK
 PUSH ROD : FLAME RETARDANT UL94V-0
 PLATE : STAINLESS
 EMI CONTACT : PHOSPHOR BRONZE
 OPTIONAL HOLD-DOWN : BRASS

- ⑤ FINISH 5.1 PIN
 UNDER PLATING : 0.5 μm MIN. Ni
 CONTACT AREA : 0.1 μm MIN. Au OVER 0.5 μm MIN. Pd-Ni
 SOLDER TAIL : 2.5 μm MIN. Sn-Pb
 5.2 EMI CONTACT
 UNDER PLATING : 2.0 μm MIN. Ni
 CONTACT AREA : 0.5 μm MIN. Au
 5.3 OPTIONAL HOLD-DOWN : 2.5 μm MIN. Sn-Pb
 6. PIN NO.

DIM 'L'		
PIN No.	OTHERS	
1-34	36.67	1.17, 34
35-68	36.67	35, 51, 68

7. SEE TA-946 FOR PCB LAYOUT.
 8. SEE 92140 FOR DETAILED HDR DIMENSION.
 9. SEE SHEET1 REGARDING COMPONENTS.
 10. GENERAL TOLERANCE : ±0.3

SHEET INDEX	ISSUE	MAT	DR	DATE	CUSTOMER COPY	TITLE
	SH NO.	SEE NOTE ④	F. One	8/8/97		68P EJECTOR HEADER ASSY FOR TYPE I/II/III
TOLERANCES UNLESS OTHERWISE SPECIFIED	ENGR	FINISH	CHK	DATE	THIRD ANGLE PROJ	SCALE
		SEE NOTE ⑤	OK	8/16/97		2/1 C
LINEAR	APPRO	SEE NOTE ⑤	APPRO	8/18/97	UNIT	MM
ANGLES						2/1 C

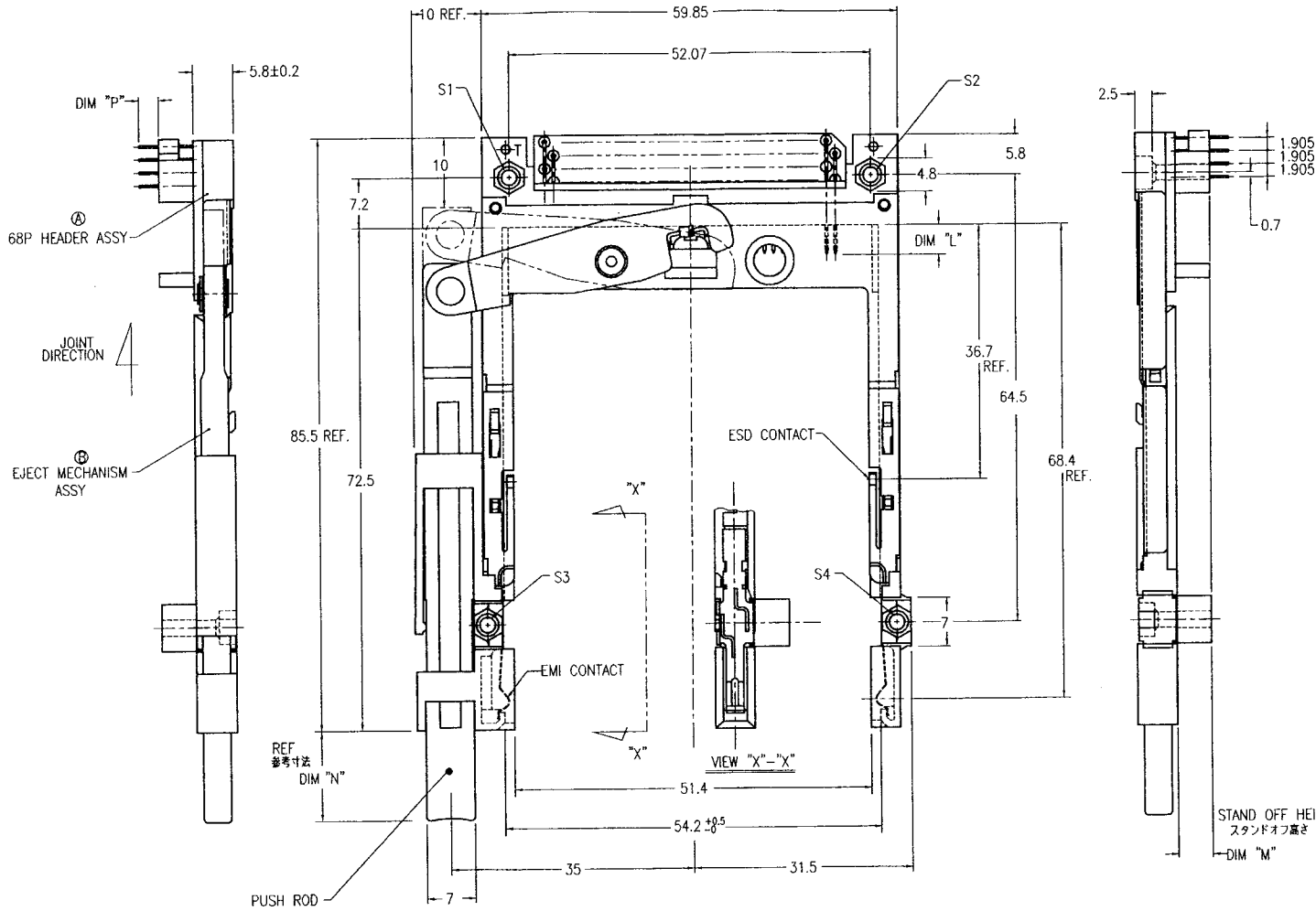
BERG
ELECTRONICS

PRODUCT NO.

92193-120CA
 92193-120FA
 92193-130CA
 92193-130CAH
 92193-140CA
 92193-150CA



REVISIONS				
REV	DESCRIPTION	ECN	BY	DATE
A	RELEASED	J30022	N.I	1/19/93
B	REVISED	J40163	M.K	5/26/94
C	REVISED	V40840	M.K	7/ 5/94
D	REVISED	V32120	M.K	12/27/94
E	REVISED	J40349	M.K	1/9/95
F	REVISED	J50242	M.K	9/18/95
G	REVISED/ADDED-130CA -130CAH	J70134	K.S	8/8/97
H	REVISED	N90076	M.K	7/22/99



NOTE

- EJECT FORCE 3.5Kg MAX.
- ASSY PROCESS
 2.1 TO MOUNT PART (A) ON PWB WITH SCREW (S1,S2) AND SOLDER.
 2.2 TO JOINT PART (B) INTO PART (A), THEN FIX PART (C) WITH 2 SCREWS (S3,S4).
- EJECT TRAVEL 8.0mm

④ MATERIAL

- PART (A) (HEADER ASSY)
 HOUSING : LCP UL94V-0
 PIN : PHOSPHOR BRONZE
- PART (B) (EJECT MECHANISM ASSY)
 GUIDE : POLYPHTHARAMID UL94V-0 BLACK
 PUSH ROD : FLAME RETARDANT UL94V-0
 PLATE : STAINLESS
 EMI CONTACT : PHOSPHOR BRONZE
 STANDOFF : ZINC ALLOYS DIE CASTING

⑤ FINISH

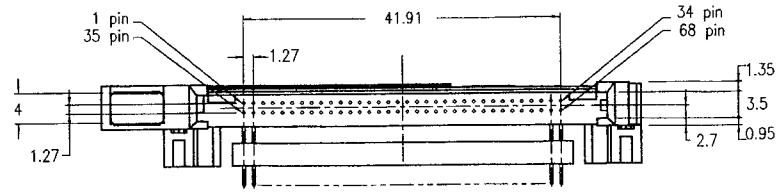
- PIN
 UNDER PLATING : 0.5 μm MIN. Ni
 CONTACT AREA : 0.1 μm MIN. Au OVER 0.5 μm MIN. Pd-Ni
 SOLDER TAIL : 2.5 μm MIN. Sn-Pb
- EMI CONTACT
 UNDER PLATING : 2.0 μm MIN. Ni
 CONTACT AREA : 0.5 μm MIN. Au
- STAND OFF : 3 ~ 5 μm Ni, OVER 5 ~ 10 μm Cu.

6. PIN NO.

PIN No.	DIM "L"		
	4.25±0.1	3.5±0.1	5.0±0.1
OTHERS	36.67	1.17, 34	35, 51, 68

STAND OFF HEIGHT
 スタンドオフ高さ

- SEE TA-946 FOR PCB LAYOUT.
- SEE 92140 FOR DETAILED HDR DIMENSION.
- SEE SHEET1 REGARDING COMPONENTS.
- GENERAL TOLERANCE : ±0.3.

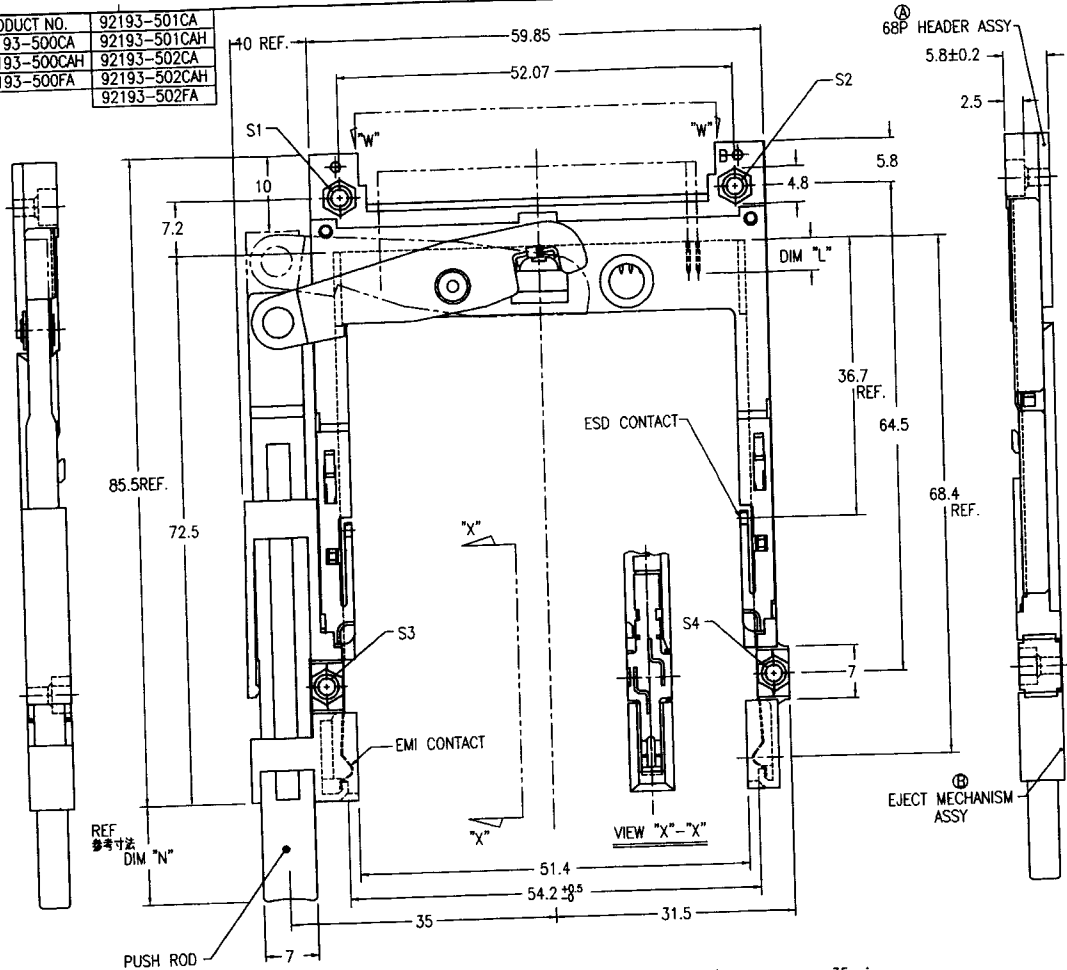


DF-003A REV C
 DO NOT SCALE. PRINT THIS INFORMATION IS CONFIDENTIAL AND IS DISCLOSED TO YOU ON CONDITION THAT NO FURTHER DISCLOSURE IS MADE BY YOU TO OTHER THAN BERG PERSONNEL WITHOUT WRITTEN AUTHORIZATION FROM BERG ELECTRONICS JAPAN K.K.

SHEET INDEX	ISSUE SH NO.	TOLERANCES UNLESS OTHERWISE SPECIFIED	MAT	DR <i>M. Kasagawa</i>	DATE 7/22/99	CUSTOMER COPY		TITLE	SCALE	SIZE	DWG. NO.	REV	SHEET
		SEE NOTE ④		ENGR <i>M. Kojima</i>	7/22/99			68P EJECTOR HEADER ASSY FOR TYPE I/1/III	2/1	C	92193	H	50F
LINEAR		SEE NOTE ⑤		CHK <i>K. Saito</i>	7/22/99								
ANGLES				APPV <i>M. Kasagawa</i>	7/22/99								

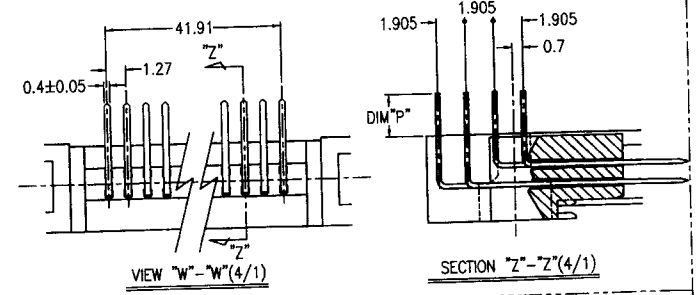
PRODUCT NO.	92193-501CA
92193-500CA	92193-501CAH
92193-500CAH	92193-502CA
92193-500FA	92193-502CAH
	92193-502FA

REV	DESCRIPTION	ECN	BY	DATE
D	REVISED	V40840	M.K	7/5/94
E	REVISED	V32120	M.K	12/27/94
F	REVISED	J40349	M.K	1/9/95
G	REVISED	J50242	M.K	8/18/95
H	REVISED	V60956	M.K	7/29/96
J	REVISED	J70134	K.S	8/9/97



PRODUCT NO.	92193-500CA
92193-500CAH	92193-500FA

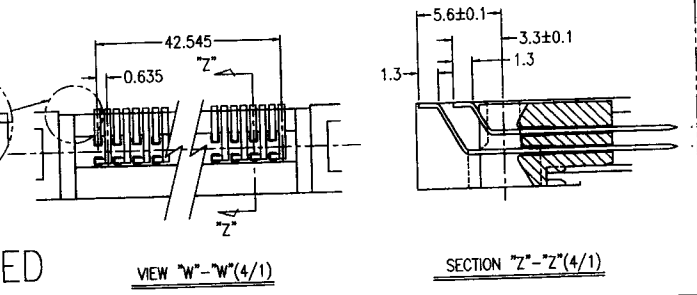
R/A



PRODUCT NO.	92193-501CA
92193-501CAH	

CO-PLANARITY 0±0.15

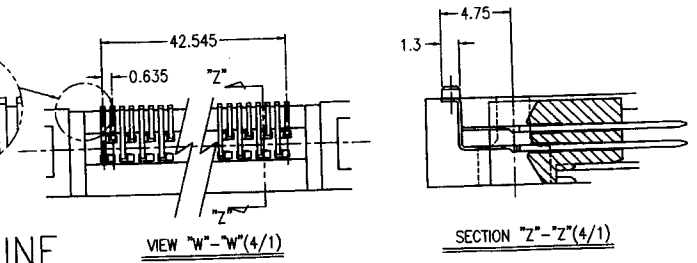
SMT STAGGERED



PRODUCT NO.	92193-502CA
92193-502CAH	

CO-PLANARITY 0±0.075

SMT IN LINE



NOTE

- EJECT FORCE 3.5Kg MAX.
- ASSY PROCESS
2.1 TO MOUNT PART ① ON PWB WITH SCREW (S1,S2) AND SOLDER.
2.2 TO JOINT PART ② INTO PART ①, THEN FIX PART ③ WITH 2 SCREWS (S3,S4).
- EJECT TRAVEL 8.0mm

④ MATERIAL

- 4.1 PART ① (HEADER ASSY)
HOUSING : LCP UL94V-0
PIN : PHOSPHOR BRONZE
- 4.2 PART ② (EJECT MECHANISM ASSY)
GUIDE : POLYPHTHALAMID UL94V-0 BLACK
PUSH ROD : FLAME RETARDANT UL94V-0
PLATE : STAINLESS
EMI CONTACT : PHOSPHOR BRONZE
- 4.3 OPTIONAL HOLD-DOWN : BRASS

⑤ FINISH 5.1 PIN

UNDER PLATING : 0.5 μm MIN. Ni
CONTACT AREA : 0.1 μm MIN. Au OVER 0.5 μm MIN. Pd-Ni
SOLDER TAIL : 2.5 μm MIN. Sn-Pb

- 5.2 EMI CONTACT
UNDER PLATING : 2.0 μm MIN. Ni
CONTACT AREA : 0.5 μm MIN. Au
5.3 OPTIONAL HOLD-DOWN : 2.5 μm MIN. Sn-Pb
6. PIN NO.

		DIM 'L'	
		4.25±0.1	5.0±0.1
PIN No.	OTHERS	36.67	35.51.88

7. SEE TA-946 FOR PCB LAYOUT.
8. SEE 92140 FOR DETAILED HDR DIMENSION.
9. SEE SHEET1 REGARDING COMPONENTS.
10. GENERAL TOLERANCE : ±0.3.

SHEET INDEX	ISSUE SH NO.	MAT	DR	DATE	CUSTOMER COPY
		SEE NOTE ④	J. Ono	11/11/99	
		SEE NOTE ⑤	M. Kojima	11/11/99	
			N. Sakurai	11/11/99	
			A. Sudo	11/11/99	

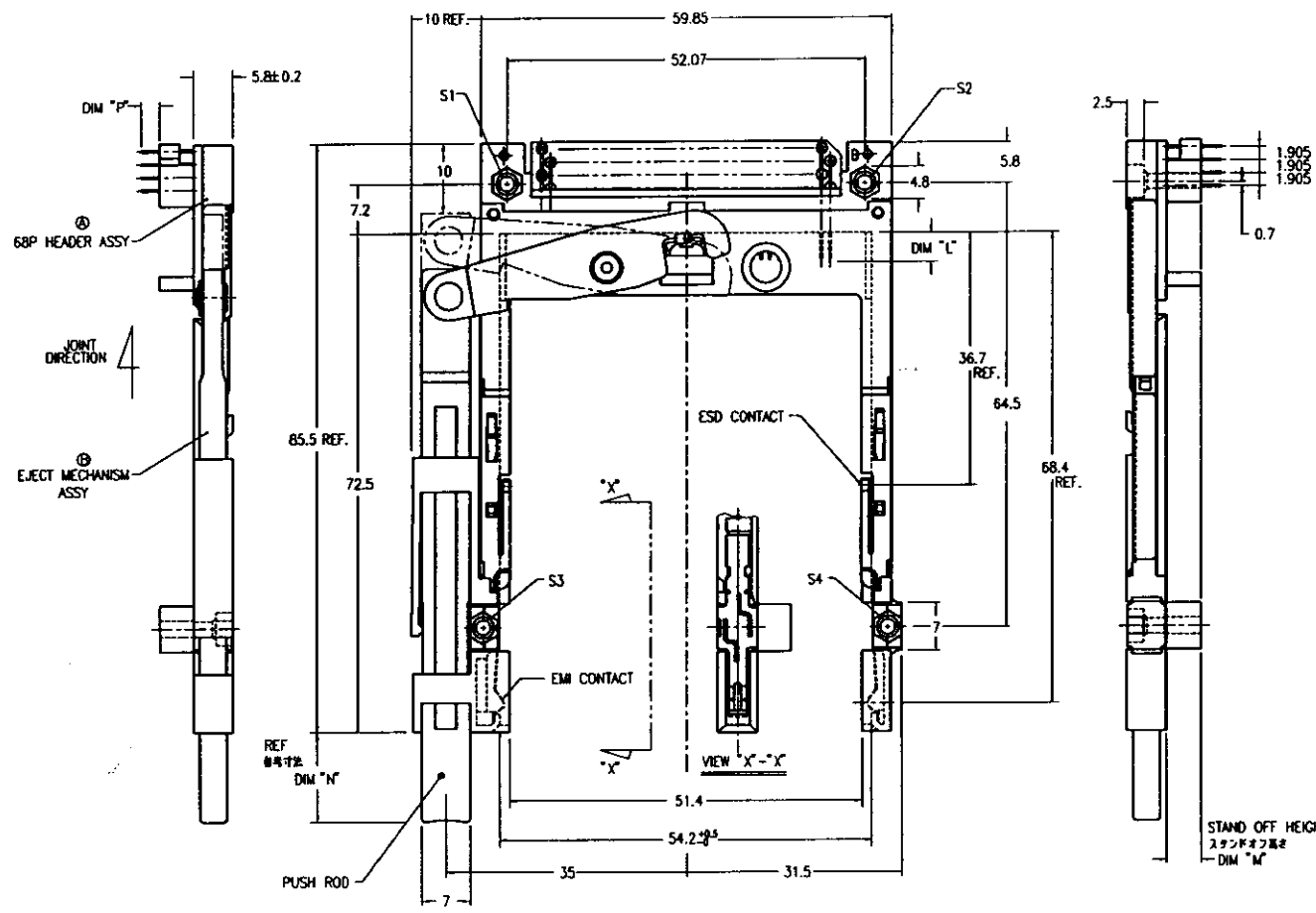
Electronics
FCI
FRAMATOME GROUP

86P EJECTOR HEADER ASSY FOR TYPE I/II/III

SCALE: 2/1 SIZE: C DWG. NO.: 92193 REV: K SHEET: 6 of 6

PRODUCT NO.
92193-520CA
92193-540CA
92193-550CA

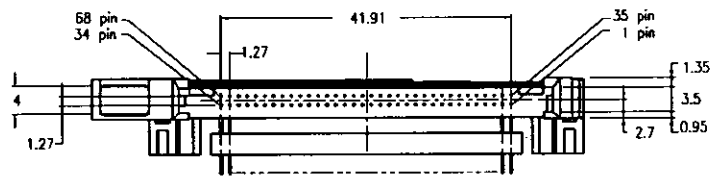
REVISIONS				
REV	DESCRIPTION	ECN	BY	DATE
A	RELEASED	J30022	N.T	1/19/75
B	REVISED	J30128	M.N	4/27/75
C	REVISED	J40163	M.K	5/26/75
D	REVISED	V40840	M.K	7/3/75
E	REVISED	V32120	M.K	12/27/75
F	REVISED	J40348	M.K	1/29/76
G	REVISED	J50242	M.K	6/18/76



NOTE

- EJECT FORCE 3.5kg MAX.
- ASSY PROCESS
 - TO MOUNT PART ① ON PWB WITH SCREW (S1,S2) AND SOLDER.
 - TO JOINT PART ② INTO PART ①, THEN FIX PART ③ WITH 2 SCREWS (S3,S4)
- EJECT TRAVEL 8.0mm
- MATERIAL
 - PART ① (HEADER ASSY)
 - HOUSING : LCP UL94V-0
 - PIN : PHOSPHOR BRONZE
 - PART ② (EJECT MECHANISM ASSY)
 - GUIDE : POLYPTHTHARAMID UL94V-0 BLACK
 - PUSH ROD : FLAME RETARDANT UL94V-0
 - PLATE : STAINLESS
 - EMI CONTACT : PHOSPHOR BRONZE
 - STANDOFF : ZINC ALLOYS DIE CASTING
- FINISH
 - PIN
 - UNDER PLATING : 0.5 μm MIN. Ni
 - CONTACT AREA : 0.1 μm MIN. Au OVER 0.5 μm MIN. Pd-Ni
 - SOLDER TAIL : 2.5 μm MIN. Sn-Pb
 - EMI CONTACT
 - UNDER PLATING : 2.0 μm MIN. Ni
 - CONTACT AREA : 0.5 μm MIN. Au
 - STAND OFF : 3 ~ 5 μm Ni OVER 5 ~ 10 μm Cu.
- PIN NO.

		DIM "M"		
		4.25 ± 0.1	3.5 ± 0.1	5.0 ± 0.1
PIN No.	OTHERS	36.67	117.5	34.5
- SEE TA-946 FOR PCB LAYOUT.
- SEE 92140 FOR DETAILED HOR DIMENSION.
- SEE SHEET1 REGARDING COMPONENTS.
- GENERAL TOLERANCE : ± 0.3.



SHEET INDEX		ISSUE		DATE		CUSTOMER	
		SH NO.		DATE		COPY	
TOLERANCES UNLESS OTHERWISE SPECIFIED		MAT	DR	DATE	CUSTOMER		
SEE NOTE ④		ENG	J. Omada	9/16/75	COPY		
LINEAR		CHK	M. Kojima	9/27/75	DRAWN BY		
SEE NOTE ⑤		APP	K. Sugita	9/27/75	UNIT		
ANGLES							

SCALE		DWG. NO.		REV		SHEET	
2/1	C	92193	G	7of			

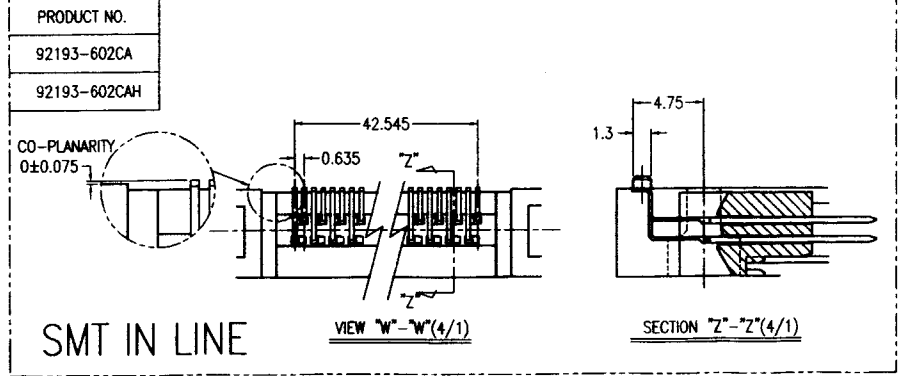
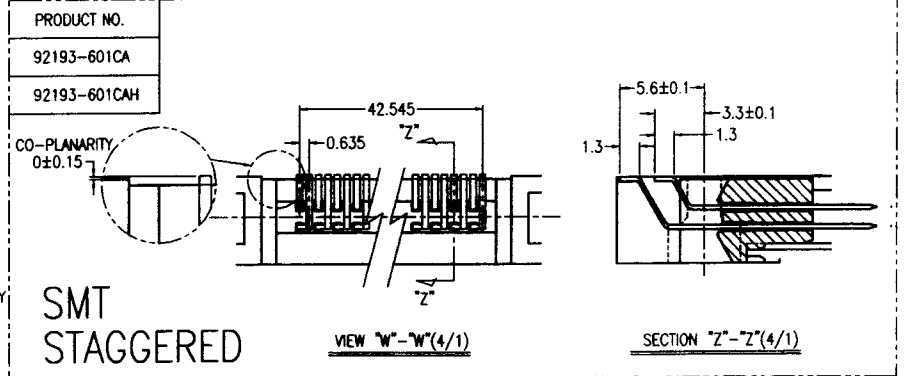
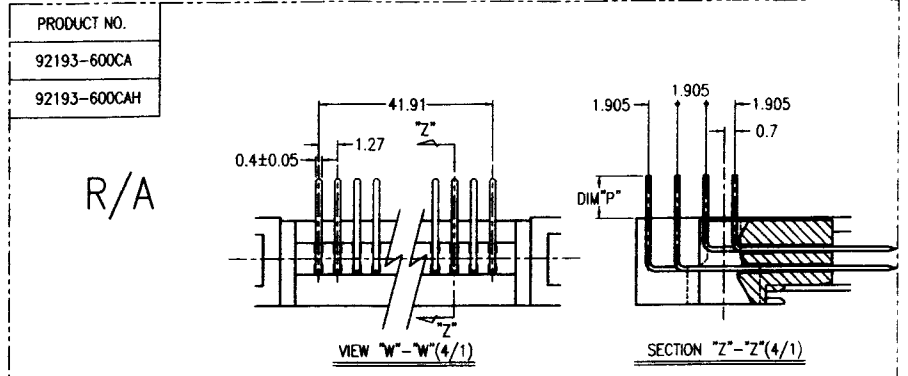
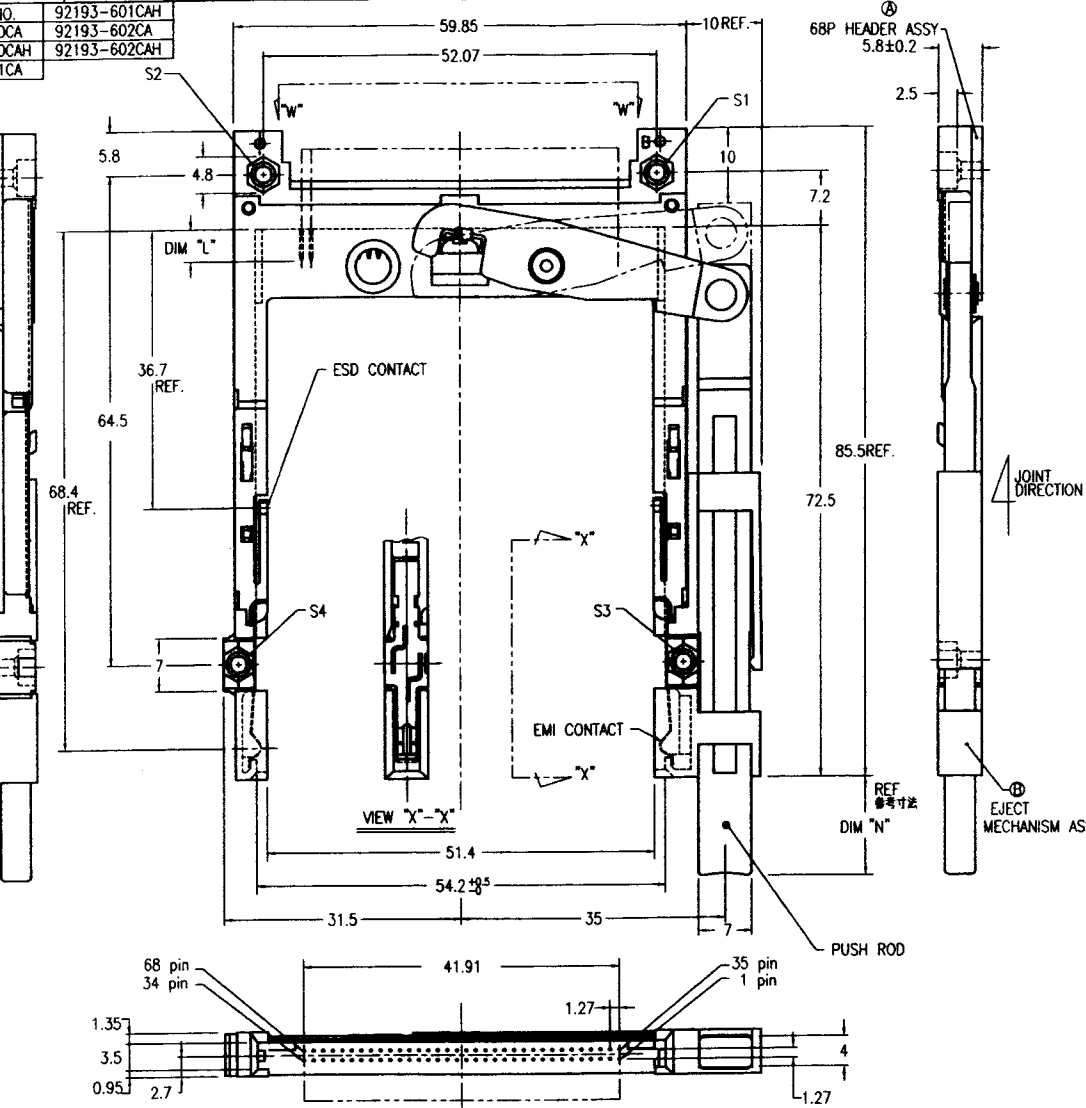
BERG
ELECTRONICS

68P EJECTOR HEADER ASSY FOR TYPE 1/1/1/1

DO NOT SCALE. PRINTING INFORMATION IS CONFIDENTIAL AND IS DISCLOSED TO YOU ON CONDITION THAT NO FURTHER DISCLOSURE IS MADE BY YOU TO OTHER THAN BERG PERSONNEL WITHOUT WRITTEN AUTHORIZATION FROM BERG ELECTRONICS JAPAN I.L.C.

NO.	92193-601CAH
OCA	92193-602CA
OCAH	92193-602CAH
ICA	

REVISIONS				
REV	DESCRIPTION	ECN	BY	DATE
D	REVISED	V40840	M.K	7/3/94
E	REVISED	V32120	M.K	12/27/94
F	REVISED	J40349	M.K	1/9/95
G	REVISED	J50242	M.K	9/16/95
H	REVISED	J70134	K.S	8/8/97



EJECT FORCE 3.5Kg MAX.
 MOUNTING PROCESS
 TO MOUNT PART ① ON PWB WITH SCREW (S1,S2) AND SOLDER.
 TO JOINT PART ② INTO PART ①, THEN FIX PART ③ WITH 2 SCREWS (S3,S4).
 EJECT TRAVEL 8.0mm

MATERIAL
 PART ① (HEADER ASSY)
 HOUSING : LCP UL94V-0
 PIN : PHOSPHOR BRONZE

PART ② (EJECT MECHANISM ASSY)
 GUIDE : POLYPHTHARAMID UL94V-0 BLACK
 PUSH ROD : FLAME RETARDANT UL94V-0
 PLATE : STAINLESS
 EMI CONTACT : PHOSPHOR BRONZE

OPTIONAL HOLD-DOWN : BRASS

- ⑤ FINISH
5.1 PIN
- UNDER PLATING : 0.5 μm MIN. Ni
 CONTACT AREA : 0.1 μm MIN. Au OVER 0.5 μm MIN. Pd-Ni
 SOLDER TAIL : 2.5 μm MIN. Sn-Pb
- 5.2 EMI CONTACT
 UNDER PLATING : 2.0 μm MIN. Ni
 CONTACT AREA : 0.5 μm MIN. Au
- 5.3 OPTIONAL HOLD-DOWN : 2.5 μm MIN. Sn-Pb
6. PIN NO.

DIM T ¹		
PIN No.	OTHERS	
	4.25 ± 0.1	5.0 ± 0.1
	36.67	1.17 ± 0.04
	36.67	35.51 ± 0.08

7. SEE TA-946 FOR PCB LAYOUT.
 8. SEE 92140 FOR DETAILED HDR DIMENSION.
 9. SEE SHEET1 REGARDING COMPONENTS.
 10. GENERAL TOLERANCE : ±0.3

SHEET INDEX	ISSUE	MAT	DR	DATE	CUSTOMER COPY
	SH NO.		J. Ono	8/8/97	
TOLERANCES UNLESS OTHERWISE SPECIFIED		SEE NOTE ④	ENGR	8/8/97	
LINEAR	FINISH	SEE NOTE ⑤	CHK	10/18/97	THIRD ANGLE PROJ.
ANGLES			APPR	8/15/97	

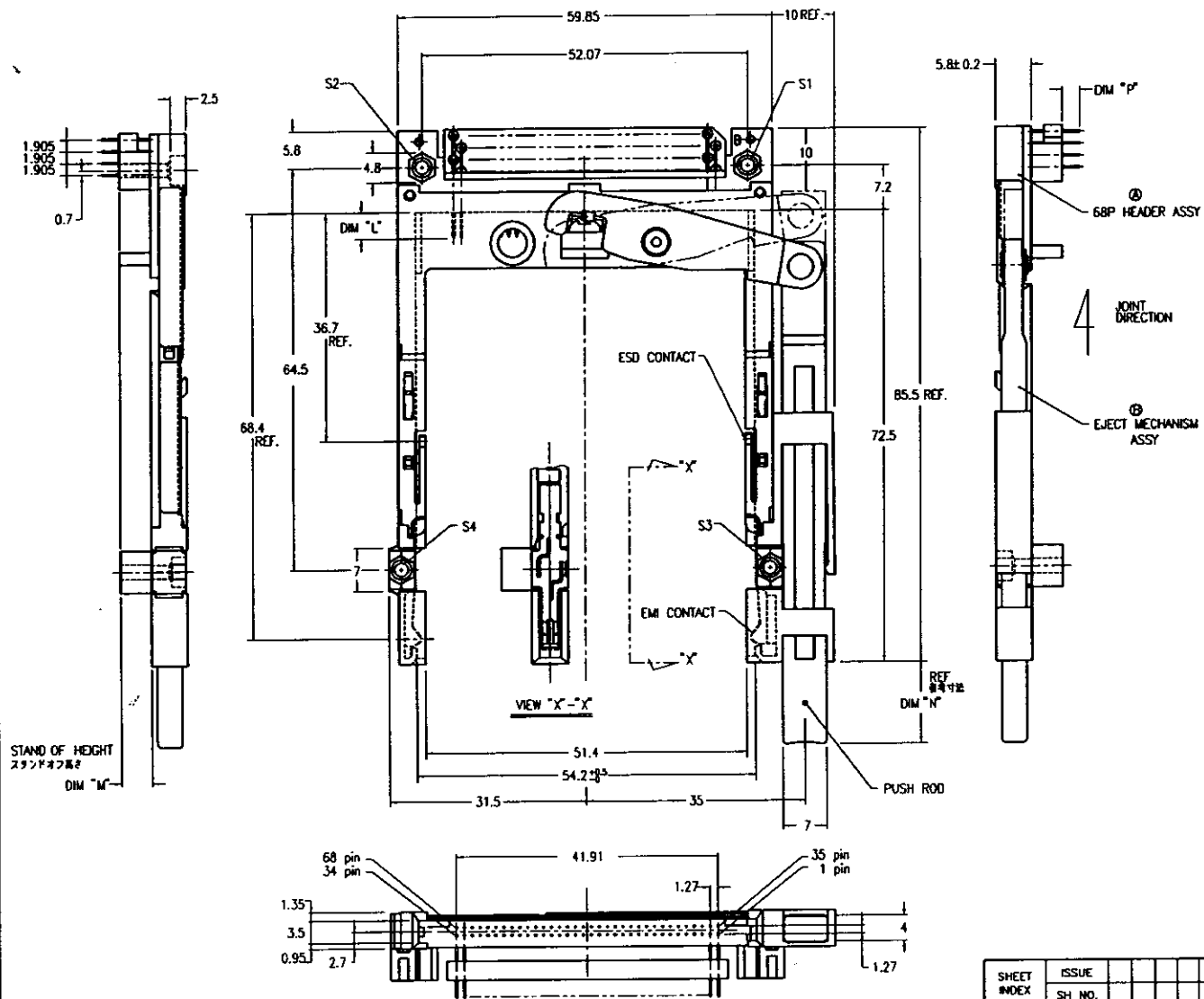
BERG
ELECTRONICS

TITLE: 68P EJECTOR HEADER ASSY FOR TYPE I/II/III

SCALE: 2/1 SIZE: C DWG. NO.: 92193 REV: SHEET H 80F

PRODUCT NO.
92193-620CA
92193-640CA
92193-650CA

REVISIONS				
REV	DESCRIPTION	ECN	BY	DATE
A	RELEASED	J30022	N.T.	1/19/93
B	REVISED	J40163	M.K.	3/28/94
C	REVISED	V40640	M.K.	7/3/94
D	REVISED	V32120	M.K.	12/27/94
E	REVISED	J40349	M.K.	1/6/95
F	REVISED	J50242	M.K.	9/19/95



- NOTE
- EJECT FORCE 3.5Kg MAX.
 - ASSY PROCESS
 - TO MOUNT PART ① ON PWB WITH SCREW (S1,S2) AND SOLDER.
 - TO JOINT PART ② INTO PART ①, THEN FIX PART ② WITH 2 SCREWS (S3,S4).
 - EJECT TRAVEL 8.0mm
- ④ MATERIAL
- PART ① (HEADER ASSY)
 - HOUSING : LCP UL94V-0
 - PIN : PHOSPHOR BRONZE
 - PART ② (EJECT MECHANISM ASSY)
 - GUIDE : POLYPHTHARAMID UL94V-0 BLACK
 - PUSH ROD : FLAME RETARDANT UL94V-0
 - PLATE : STAINLESS
 - EMI CONTACT : PHOSPHOR BRONZE
 - STANDOFF : ZINC ALLOYS DIE CASTING
- ⑤ FINISH
- PIN
 - UNDER PLATING : 0.5 μm MIN. Ni
 - CONTACT AREA : 0.1 μm MIN. Au OVER 0.5 μm MIN. Pd-Ni
 - SOLDER TAIL : 2.5 μm MIN. Sn-Pb
 - EMI CONTACT
 - UNDER PLATING : 2.0 μm MIN. Ni
 - CONTACT AREA : 0.5 μm MIN. Au
 - STAND OFF : 3 ~ 5 μm Ni OVER 5 ~ 10 μm Cu.
6. PIN NO.
- | PIN No. | DIM 'L' | | |
|-------------|------------|------------|------------|
| | OTHERS | 36.67 | 36.67 |
| 4, 25, 0, 1 | 3, 5, 0, 1 | 5, 0, 0, 1 | 1, 1, 7, 0 |
- SEE TA-946 FOR PCB LAYOUT.
 - SEE 92140 FOR DETAILED HDR DIMENSION.
 - SEE SHEET1 REGARDING COMPONENTS.
 - GENERAL TOLERANCE : ±0.3

STAND OF HEIGHT
スタンドオフ高さ
DIM "M"

SHEET INDEX	ISSUE	SH. NO.	MAT	DR	DATE	CUSTOMER	TITLE
				J. Orando	9/19/95		68P EJECTOR HEADER ASSY FOR TYPE 1/8/II
TOLERANCES UNLESS OTHERWISE SPECIFIED		SEE NOTE ①	ENG	M. Kajiwara	9/19/95		
LINEAR		SEE NOTE ②	CHK	Y. Ito	9/20/95		
ANGLES			APP	Y. Ito	9/21/95		
			UNIT	mm		SCALE	SIZE
						2/1	C
						UNR. NO.	REV. SHEET
						92193	F 9 of



07-003A REV. C
DO NOT SCALE PRINT THIS INFORMATION IS CONFIDENTIAL AND IS ENCLOSED TO YOU ON CONDITION THAT NO FURTHER DISCLOSURE IS MADE BY YOU TO OTHER THAN BERG PERSONNEL WITHOUT WRITTEN AUTHORIZATION FROM BERG ELECTRONICS JAPAN I.L.C.