

**NOTES**

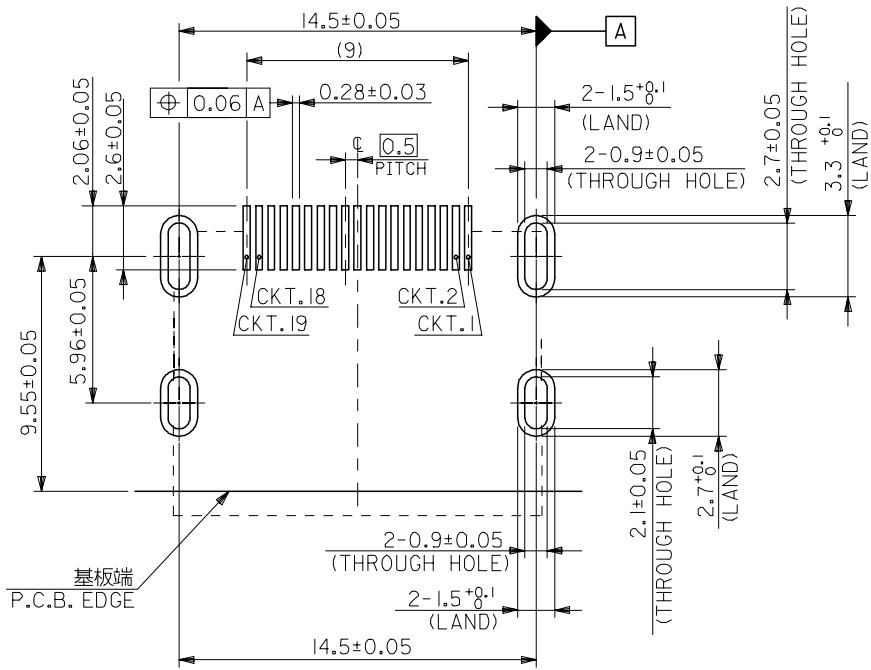
1. 一般公差: ±0.5  
GENERAL TOLERANCES: ±0.5
2. 反り: 2MAX.  
WARP: 2MAX.
3. 1トレイの梱包数: 60個  
QUANTITY IN ONE TRAY: 60 PCS.
4. 標準梱包数: 300個  
STANDARD PACKAGING QUANTITY: 300 PCS.
5. トレイは、180° 反転させ交互に重ねる。  
TRAYS SHOULD BE PILED ALTERNATELY.

500254-1941
500254-1931
適用製品番号 APPLICABLE PART No.

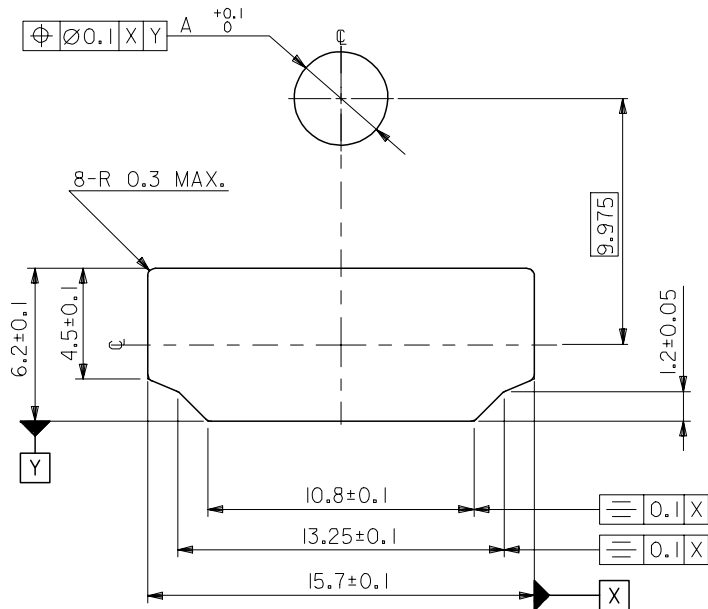
MATERIAL  
  
POLYSTYRENE SHEET (t=1.0)  
WHITE

REVISED ECNO: J2005-1358 DRAWN: KTOYODA 2004/11/30 CHKD: NUKITA 2004/11/30 APPR: NUKITA 2004/12/06	GENERAL TOLERANCES (UNLESS SPECIFIED)		DIMENSION STYLE MM ONLY		SCALE 2:1	DESIGN UNITS METRIC	THIRD ANGLE PROJECTION
	10 UNDER	± ---	DRAWN BY T. HARUYAMA	DATE '04/02/25	TITLE TRAY FOR HDMI CONN. R/A WITH FLANGE -LEAD FREE-		
	10 OVER 30 UNDER	± ---	CHECKED BY M. ENOMOTO	DATE '04/02/25	MOLEX INCORPORATED		
	30 OVER	± ---	APPROVED BY M. ENOMOTO	DATE '04/02/25	MATERIAL NO. 59410-0097	DOCUMENT NO. SD-500254-004	SHEET NO. 1 OF 1
ANGULAR ± --- °		DRAFT WHERE APPLICABLE MUST REMAIN WITHIN DIMENSIONS		THIS DRAWING CONTAINS INFORMATION THAT IS PROPRIETARY TO MOLEX INCORPORATED AND SHOULD NOT BE USED WITHOUT WRITTEN PERMISSION			

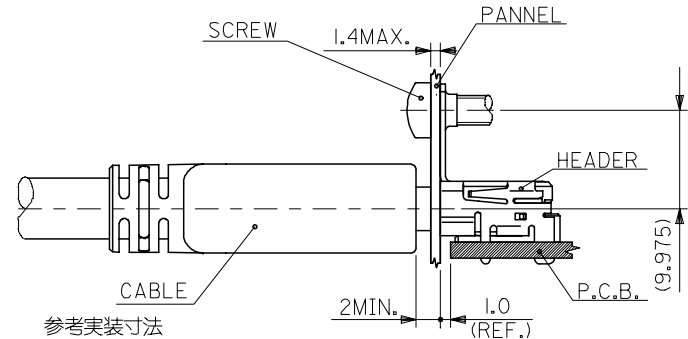




推奨基板寸法  
RECOMMENDED P.C.B. PATTERN LAYOUT (+/-1.6±0.15)  
(COMPONENT SIDE)



参考パネル寸法  
REFERENCE PANEL CUT OUT DIMENSION.



参考実装寸法  
REFERENCE MOUNT DIMENSION.  
(SCALE 2:1)

3.45	500254-1941
3.6	500254-1931
"A"	TRAY PACKAGE

REVISED EC NO: J2006-0032 DRWN: NABEI 2005/07/05 CHKD: KTOYODA 2005/07/06 APPR: NUKITA 2005/07/12	GENERAL TOLERANCES (UNLESS SPECIFIED)		DIMENSION STYLE MM ONLY		SCALE 5:1	DESIGN UNIT'S METRIC	THIRD ANGLE PROJECTION	
	10 UNDER	±0.2	DRAWN BY K. TOYODA	DATE '04/03/26	TITLE HDMI RIGHT ANGLE HEADER ASSY WITH FLANGE -LEAD FREE-			
	10 OVER 30 UNDER	±0.25	CHECKED BY K. ASAKAWA	DATE '04/03/26				
	30 OVER	±0.3	APPROVED BY S. ICHIKAWA	DATE '04/03/26				
	ANGULAR	±3 °	MATERIAL NO. SEE CHART		DOCUMENT NO. SD-500254-006		SHEET NO. 2 OF 2	
	DRAFT WHERE APPLICABLE MUST REMAIN WITHIN DIMENSIONS		SIZE A3		THIS DRAWING CONTAINS INFORMATION THAT IS PROPRIETARY TO MOLEX INCORPORATED AND SHOULD NOT BE USED WITHOUT WRITTEN PERMISSION			