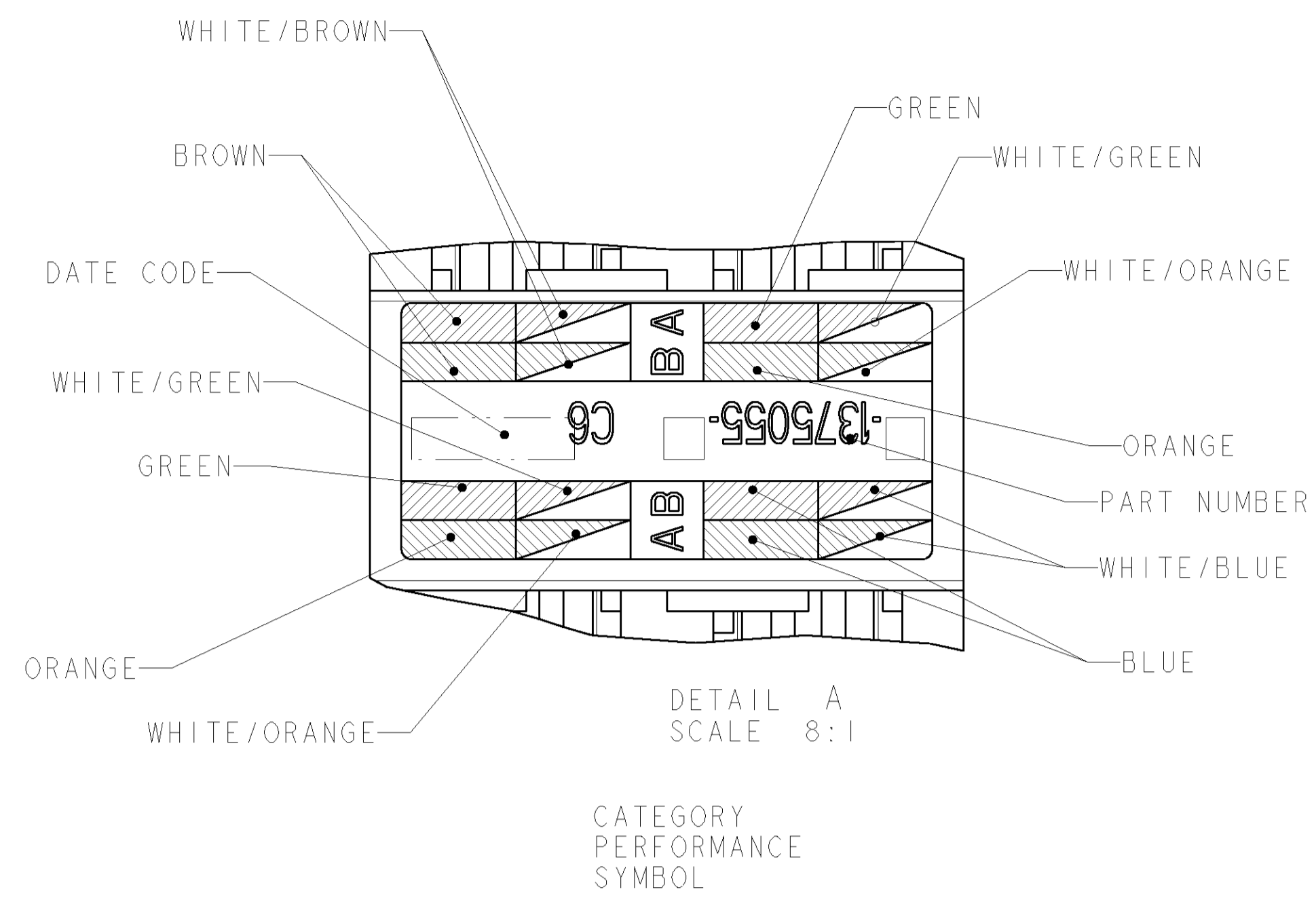
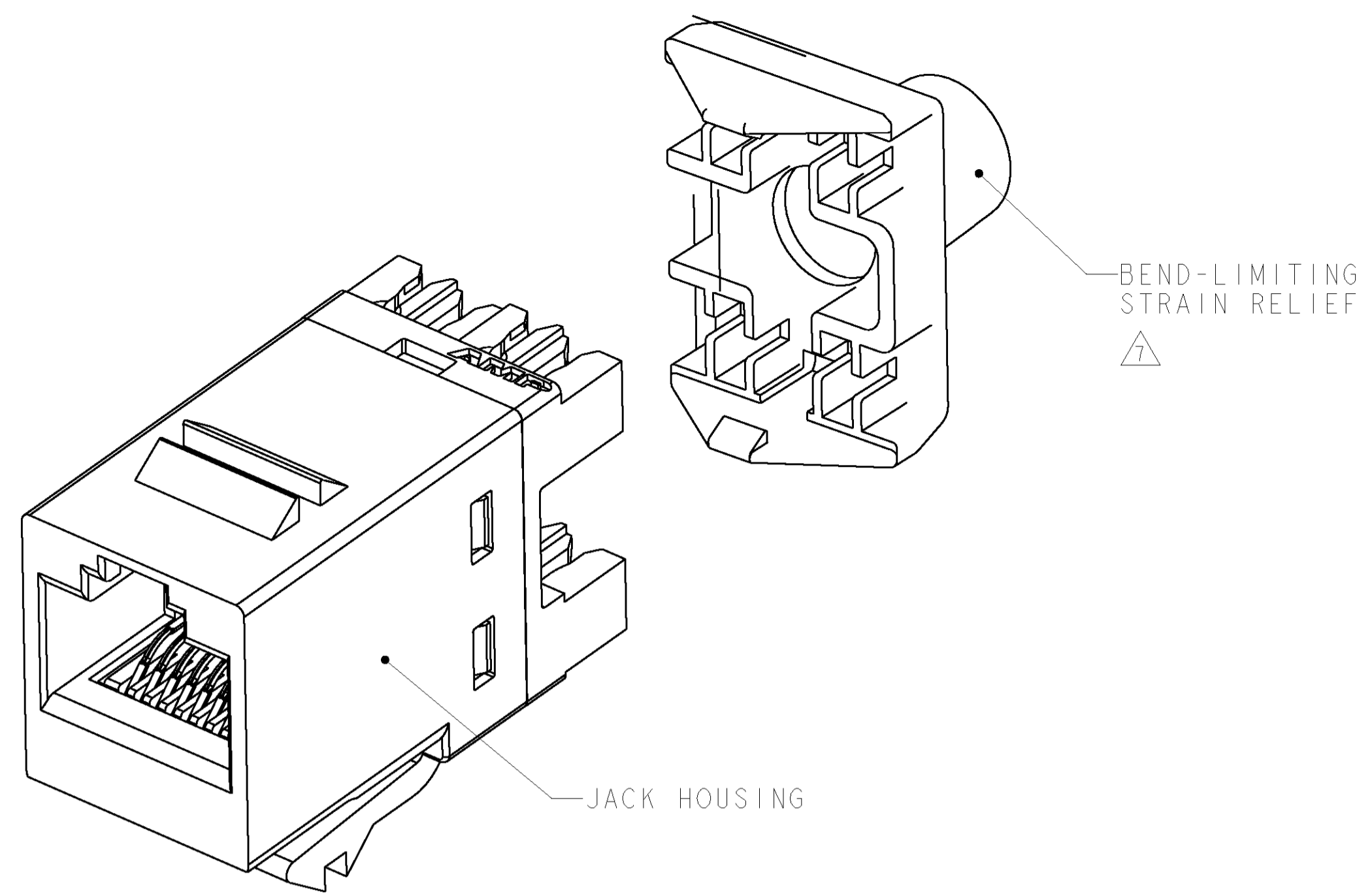
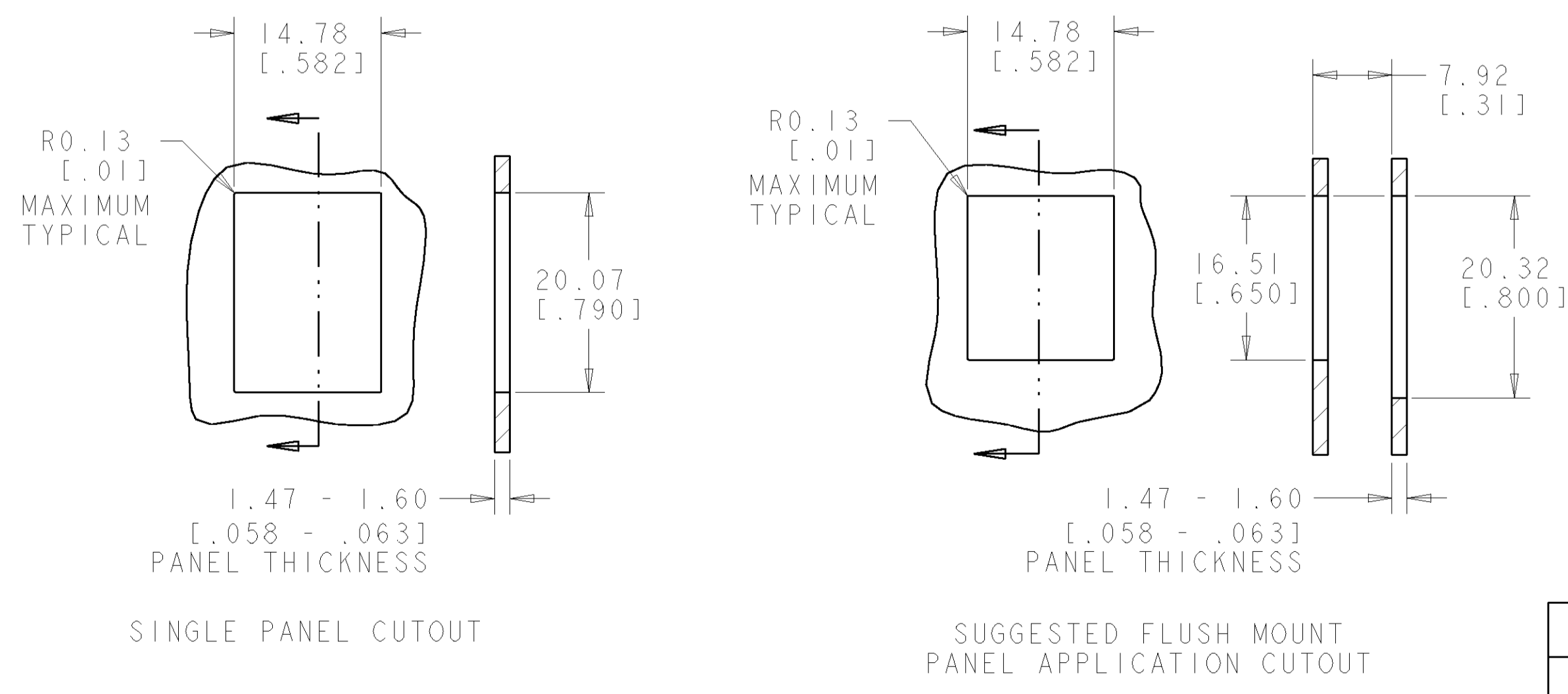
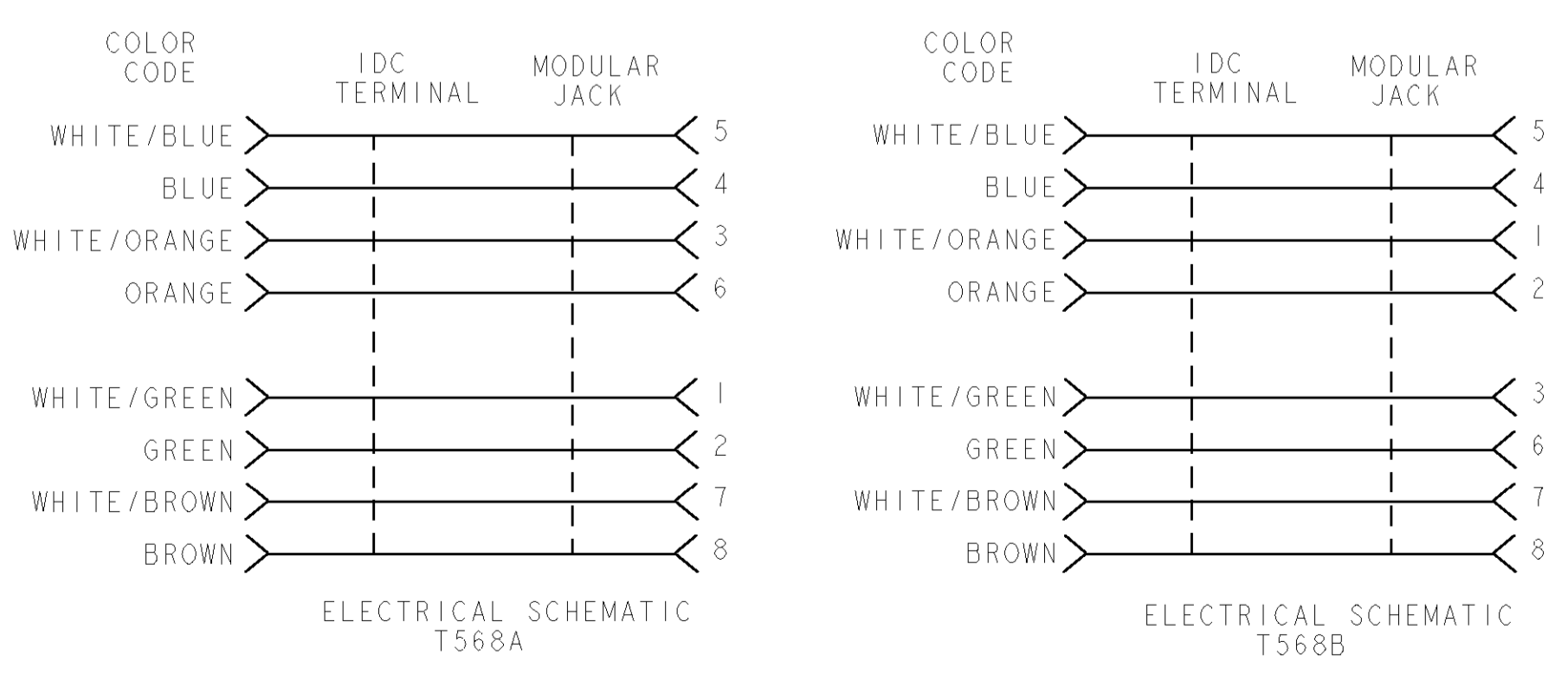
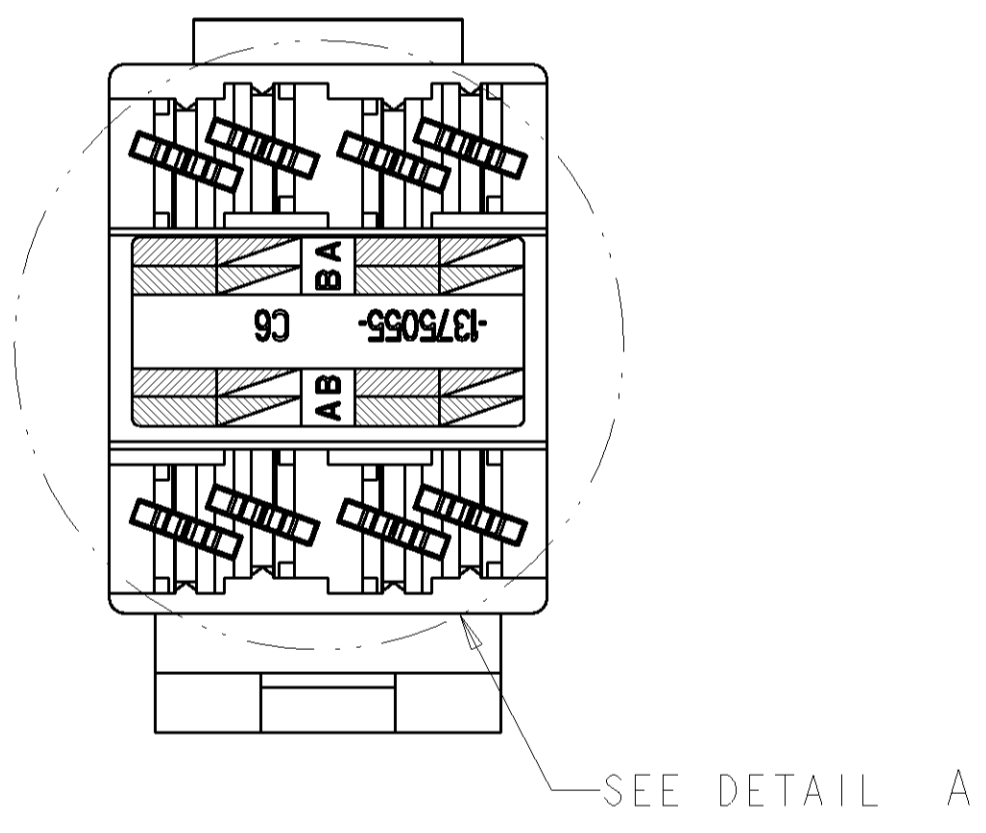
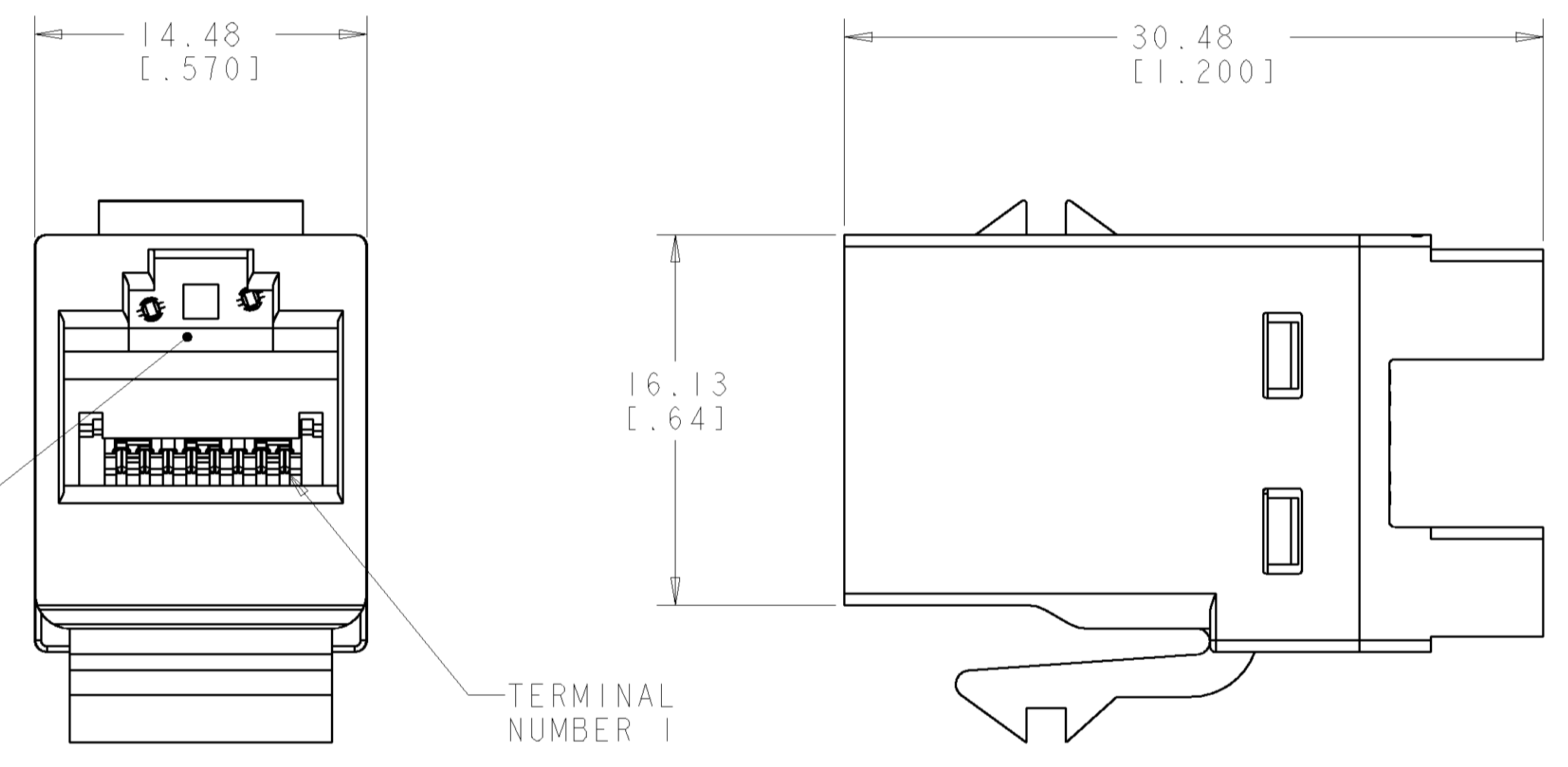


LOC	DIST	REVISIONS					
HM	00	P	LTR	DESCRIPTION	DATE	BY	APPD
		E		REV - ECR-04-000135	11OCT2004	LS	CD
		F		ECO-06-011626	30MAY2006	JM	BM
		G		REV: ECO-06-024911	25OCT2006	GG	BM



1. MATERIAL: JACK HOUSING - POLYPHENYLENE OXIDE, 94V-0 RATED. 110 BLOCK AND BEND LIMITING STRAIN RELIEF - POLYCARBONATE. ARRAY TRAY - PBT POLYESTER. JACK CONTACTS ARRAY - BERYLLIUM COPPER, PLATED WITH 1.27µm [0.000050] MINIMUM THICK GOLD IN LOCALIZED AREA AND 3.81µm [0.000150] MINIMUM THICK MATTE TIN IN SOLDER AREA OVER 1.27µm [0.000050] MINIMUM THICK NICKEL UNDERPLATE. IDC TERMINALS - PHOSPHOROUS BRONZE, PLATED WITH 3.81µm [0.00015] MINIMUM THICK MATTE TIN OVER 1.27µm [0.00005] MINIMUM THICK NICKEL UNDERPLATE.
2. SL 110 JACK WILL TERMINATE 22-24 AWG SOLID CONDUCTORS, 1.27[.050] MAXIMUM INSULATION DIAMETER. JACK WILL ACCEPT CONDUCTORS UP TO 1.45 [0.57] BUT REQUIRE THE USE OF A STRAIN RELIEF
3. CAVITY CONFORMS TO FCC RULES AND REGULATIONS) PART 68 SUBPART F REQUIREMENTS.
4. MOUNTING PANEL THICKNESS 1.47 - 1.60 [0.58 - .063].
5. THESE TWO SUGGESTED CUTOUT OPENINGS ARE USED IN TANDEM WITH DUAL FRONT AND BACK CUTOUTS.
6. ONE MODULAR JACK ASSEMBLY PER POLYBAG.
7. USE IS OPTIONAL.
8. TWENTY FIVE MODULAR JACKS PER POLYBAG.
9. REFER TO 408-8858 FOR TERMINATION INSTRUCTIONS USING SL SERIES TOOL TERMINATION. REFER TO 408-8417 FOR TERMINATION INSTRUCTIONS USING 110 PUNCH DOWN TOOL.



PACKAGE	HOUSING COLOR	PART NUMBER
8	ELECTRIC IVORY	3-1375055-1
	VIOLET	3-1375055-0
	GREEN	2-1375055-9
	YELLOW	2-1375055-8
	RED	2-1375055-7
	BLUE	2-1375055-6
	ORANGE	2-1375055-5
	NEMA GRAY	2-1375055-4
	WHITE	2-1375055-3
	BLACK	2-1375055-2
	LIGHT ALMOND	2-1375055-1
6	ELECTRIC IVORY	1-1375055-1
	VIOLET	1-1375055-0
	GREEN	1375055-9
	YELLOW	1375055-8
	RED	1375055-7
	BLUE	1375055-6
	ORANGE	1375055-5
	NEMA GRAY	1375055-4
	WHITE	1375055-3
	BLACK	1375055-2
	LIGHT ALMOND	1375055-1

DIMENSIONS: MM [Inches]		TOLERANCES UNLESS OTHERWISE SPECIFIED:		DWN T. PITTS 18OCT2001 ENR L. SMITH 13MAR2001 APPD B. TRIPP 13MAR2001		<b>tyco</b> <b>Electronics</b> Tyco Electronics Harrisburg, PA 17105-3608	
MATERIAL: - FINISH: -		0 PLC ± 1 PLC ± 2 PLC ± 3 PLC ± 4 PLC ± ANGLES ±		PRODUCT SPEC 108-1990 APPLICATION SPEC 108-1990-3		NAME ASSEMBLY, SL 110 JACK, CAT 6	
CUSTOMER DRAWING		WEIGHT: - SCALE: 6:1		SIZE: A1 CAGE CODE: 00779 DRAWING NO: C-1375055		RESTRICTED TO: - SHEET 1 OF 1 REV G	