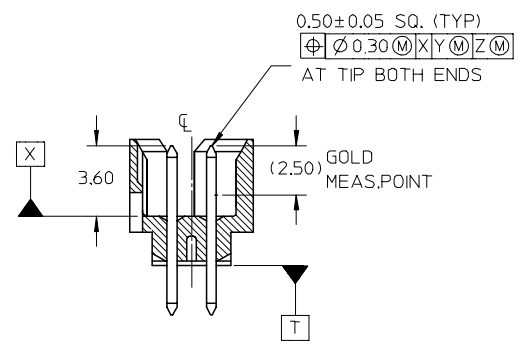
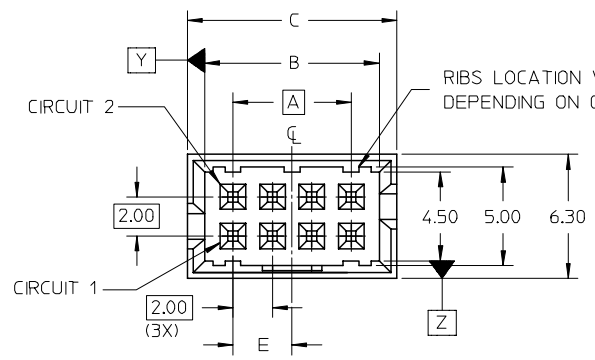
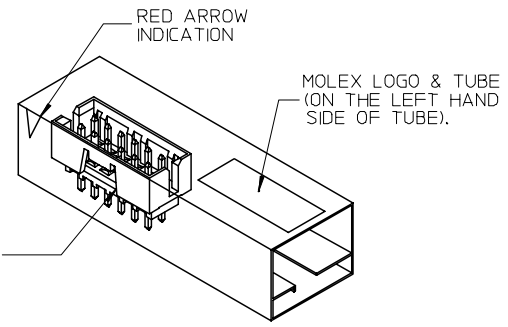
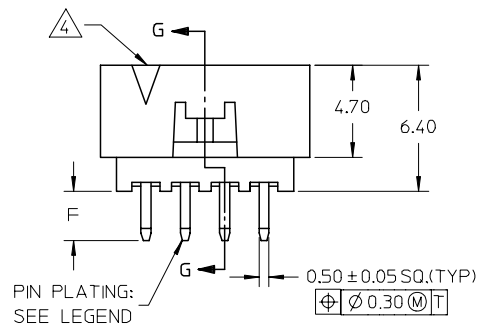


10 9 8 7 6 5 4 3 2 1



P/N IN TUBE	CKT SIZE	VOID PIN	DIMENSION					
			A	B	C	D	E	F
87831-044*	4	-	2.00	4.85	6.65	5.00	1.00	2.50
87831-064*	6	-	4.00	6.85	8.65	7.00	2.00	2.50
87831-084*	8	-	6.00	8.85	10.65	9.00	3.00	2.50
87831-104*	10	-	8.00	10.85	12.65	11.00	4.00	2.50
87831-124*	12	-	10.00	12.85	14.65	13.00	5.00	2.50
87831-514*	4	-	2.00	4.85	6.65	5.00	1.00	3.50
87831-524*	6	-	4.00	6.85	8.65	7.00	2.00	3.50
87831-534*	12	1	10.00	12.85	14.65	13.00	5.00	2.50
87831-544*	8	-	6.00	8.85	10.65	9.00	3.00	3.50
87831-554*	8	-	6.00	8.85	10.65	9.00	3.00	2.80
87831-5641	12	10	10.00	12.85	14.65	13.00	5.00	2.50



PART NUMBER LEGEND :

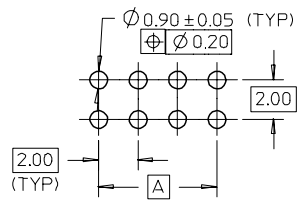
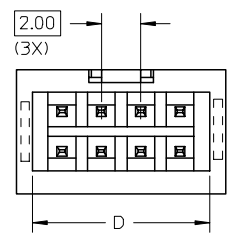
87831 - * * * * *

PLATING OPTIONS

- 41 - 0.38um/15uin GOLD IN CONTACT AREA AND 1.88um/75uin MIN. TIN IN SOLDER TAIL AREA OVER 1.27um/50uin MIN. NICKEL OVERALL.
- 42 - 0.76um/30uin GOLD IN CONTACT AREA AND 1.88um/75uin MIN. TIN IN SOLDER TAIL AREA OVER 1.27um/50uin MIN. NICKEL OVERALL.

NOTES:

1. FOR ILLUSTRATION PURPOSES, 8 CIRCUIT SIZE WAFER IS SHOWN.
2. MATERIAL :
HOUSING : GLASS FILLED, NYLON 46, UL94V-0, COLOR BLACK.
PIN : 0.50MM SQ. PHOSPHOR BRONZE.
3. PRODUCT SPECIFICATION PS-87831-027 APPLIES.
4. CKT 4 & 6 HAS NO IDENTIFICATION TAG.
5. THIS HEADER MATES WITH MOLEX :
a) CRIMP RECEPTACLE HOUSING, 51110 SERIES WITH CRIMP TERMINAL, 50394 SERIES.
b) 2MM MILLIGRID DUAL ROW IDT, 87568 SERIES.
6. PARTS TO BE PACKED IN TUBE WITH MOISTURE BARRIER BAG.



RECOMMENDED PCB PATTERN

REF : ORIENTATION OF PART IN TUBE
(FOR THE REFERENCE OF PART/TUBE ASSEMBLY)

PDR#S-001606-00-00
EC NO: S2007-1078
DRWNS:KANG
CHKD:ATSEE
APPR:MLONG

REV	DESCRIPTION
A	10

QUALITY SYMBOLS	
	=0
	=0

GENERAL TOLERANCES (UNLESS SPECIFIED)	
	mm
4 PLACES	± 0.2
3 PLACES	± 0.2
2 PLACES	± 0.2
1 PLACE	± 0.2
ANGULAR ± 3°	

DIMENSION STYLE		SCALE	DESIGN UNITS	THIRD ANGLE PROJECTION	
MM ONLY		NTS	METRIC		
DRAWN BY	DATE	TITLE	MGRID, SHROUDED HEADER VERTICAL, W/LOCK FEATURE		
ATSEE	2003/10/03				
CHECKED BY	DATE	MOLEX INCORPORATED			
KCLING	2003/11/07				
APPROVED BY	DATE	DOCUMENT NO.	SD-87831-012		
SKTOH	2003/11/07				
MATERIAL NO.		SHEET NO.			
SEE TABLE		1 OF 1			

DRAFT WHERE APPLICABLE MUST REMAIN WITHIN DIMENSIONS

SIZE A3

THIS DRAWING CONTAINS INFORMATION THAT IS PROPRIETARY TO MOLEX INCORPORATED AND SHOULD NOT BE USED WITHOUT WRITTEN PERMISSION

9 8 7 6 5 4 3 2 1