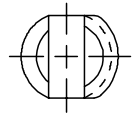
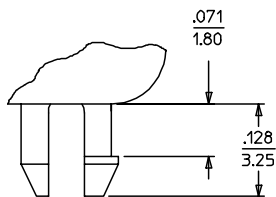
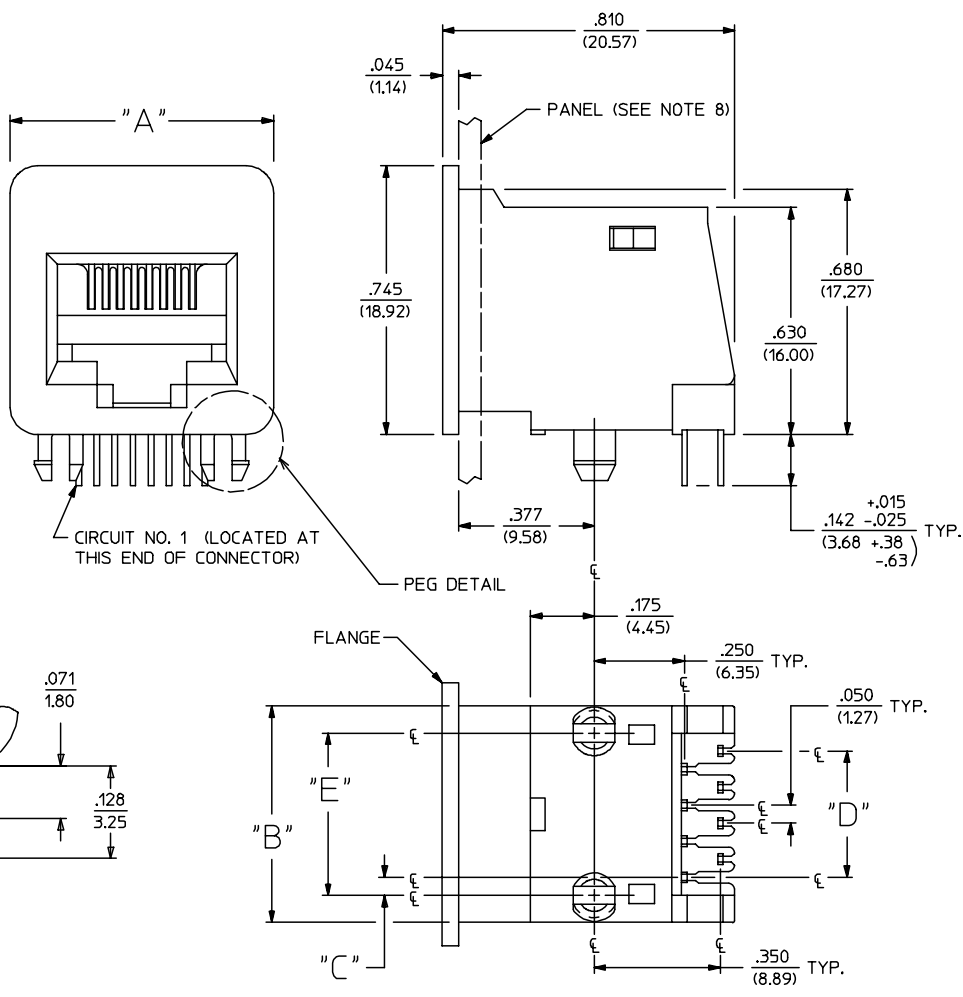


NOTES:

- 1) MATERIALS:
HOUSING: GLASS FILLED POLYESTER, UL94 V-0, COLOR: BLACK
TERMINALS: PHOSPHOR BRONZE
- 2) FINISH:
TERMINALS:
SELECT GOLD IN CONTACT AREA: 50 MICROINCHES (1.27 MICROMETER) MIN.,
*SELECT TIN IN PC TAIL AREA: 100 MICROINCHES (2.54 MICROMETER) MIN.,
WITH OVERALL NICKEL UNDERPLATE: 50 MICROINCHES (1.27 MICROMETER) MIN.
*THE PRIMARY SHIPPING CARTON WILL BE LABELED "COMPLIANT TO RoHS DIRECTIVE 2002/95/EC AND ELV ANNEX II OF DIRECTIVE 2000/53/EC".
CARTONS WITHOUT THIS LABEL MAY CONTAIN PRODUCT WITH TIN-LEAD IN THE PC TAIL AREA.
- 3) ALL JACKS MUST MEET THE REQUIREMENTS OF MOLEX SPECIFICATION #PS-41314.
- 4) PACKAGING: THERMOFORMED TRAYS PER PK-41369-004
- 5) JACKS CONFORM TO AND ACCEPT PLUGS WHICH CONFORM TO FCC REGULATIONS, PART 68.5.
- 6) JACKS ARE TO BE USED WITH .062/(1.57) THICK PRINTED CIRCUIT BOARDS.
- 7) SEE SHEET 3 FOR RECOMMENDED PANEL CUT-OUT AND BOARD LAYOUT DIMENSIONS.
- 8) PANEL TO BE LOCATED AGAINST MODULAR JACK FLANGE AS INDICATED.
- 9) ALL UNTOLERANCED DIMENSIONS ARE SHOWN FOR REFERENCE ONLY.



PEG DETAIL
SCALE: 8:1

SIZE 8 MODULAR JACK HOUSING LOADED WITH 8 TERMINALS IS SHOWN ABOVE

8	2	.730 (18.54)	.600 (15.24)	.200 (5.08)	.050 (1.27)	.450 (11.43)
8	4	.730 (18.54)	.600 (15.24)	.150 (3.81)	.150 (3.81)	.450 (11.43)
8	6	.730 (18.54)	.600 (15.24)	.100 (2.54)	.250 (6.35)	.450 (11.43)
8	8	.730 (18.54)	.600 (15.24)	.050 (1.27)	.350 (8.89)	.450 (11.43)
6	2	.650 (16.51)	.520 (13.21)	.175 (4.45)	.050 (1.27)	.400 (10.16)
6	4	.650 (16.51)	.520 (13.21)	.125 (3.18)	.150 (3.81)	.400 (10.16)
6	6	.650 (16.51)	.520 (13.21)	.075 (1.91)	.250 (6.35)	.400 (10.16)
4	2	.570 (14.48)	.440 (11.18)	.125 (3.18)	.050 (1.27)	.300 (7.62)
4	4	.570 (14.48)	.440 (11.18)	.075 (1.91)	.150 (3.81)	.300 (7.62)
HOUSING SIZE	CIRCUIT SIZE	DIM. "A"	DIM. "B"	DIM. "C"	DIM. "D"	DIM. "E"

3	T
2	T1
1	T1
SH	REV

REMOVE FILM/AMMO PACK EC NO: UCP2006-2453 DRAWN: PRIDDER 2006/06/14 CHKD: JBELL 2006/06/27 APPR: FSMITH 2006/06/29	QUALITY SYMBOLS	GENERAL TOLERANCES (UNLESS SPECIFIED)	SCALE 4:1	DESIGN UNITS INCH	THIRD ANGLE PROJECTION	REVISE ON CAD ONLY
	DESCRIPTION T1	4 PLACES ± --- ± --- 3 PLACES ± --- ± --- 2 PLACES ± --- ± --- 1 PLACE ± --- ± ---	DIMENSION STYLE IN/MM	DRAWN BY DATE GLT 1990/05/02	TITLE RIGHT ANGLE FLANGE MOUNT MODULAR JACK ASSEMBLY	
		ANGULAR ±1/2°	CHECKED BY DATE BAP 1990/05/02	MOLEX MOLEX INCORPORATED		
		DRAFT WHERE APPLICABLE MUST REMAIN WITHIN DIMENSIONS	APPROVED BY DATE RAS 1990/05/02	MATERIAL NO. SEE SHEET 2	DOCUMENT NO. SDA-41314-*****	SHEET NO. 1 OF 3
THIS DRAWING CONTAINS INFORMATION THAT IS PROPRIETARY TO MOLEX INCORPORATED AND SHOULD NOT BE USED WITHOUT WRITTEN PERMISSION						

13 12 11 10 9 8 7 6 5 4 3 2 41314

ENGINEERING PART NUMBER	E.D.P. NUMBER	HOUSING SIZE	CIRCUIT SIZE	PACKAGING OPTION
A-41314-44ABAA	015-43-6544	4	4	TRAY PACK
A-41314-42ABAA	015-43-6542	4	2	TRAY PACK
A-41314-66ABAA	015-43-6566	6	6	TRAY PACK
A-41314-64ABAA	015-43-6564	6	4	TRAY PACK
A-41314-62ABAA	015-43-6563	6	2	TRAY PACK
A-41314-88ABAA	015-43-6588	8	8	TRAY PACK
A-41314-86ABAA	015-43-6586	8	6	TRAY PACK
A-41314-84ABAA	015-43-6584	8	4	TRAY PACK
A-41314-82ABAA	015-43-6590	8	2	TRAY PACK

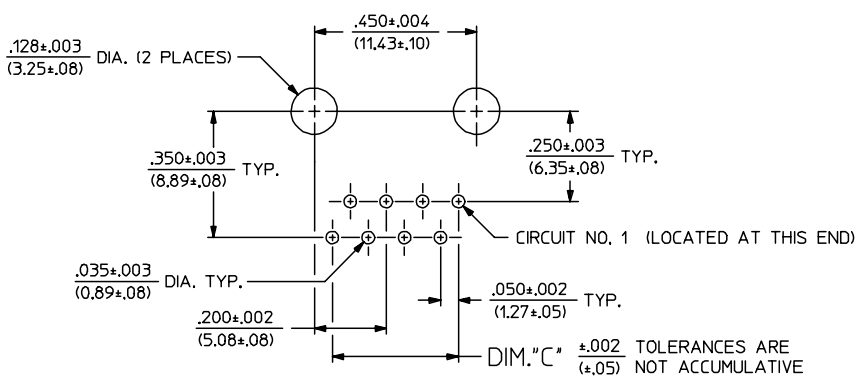
SEE SHEET 1 FOR PART DESCRIPTIONS

J
I
H
G
F
E
D
C
B
A

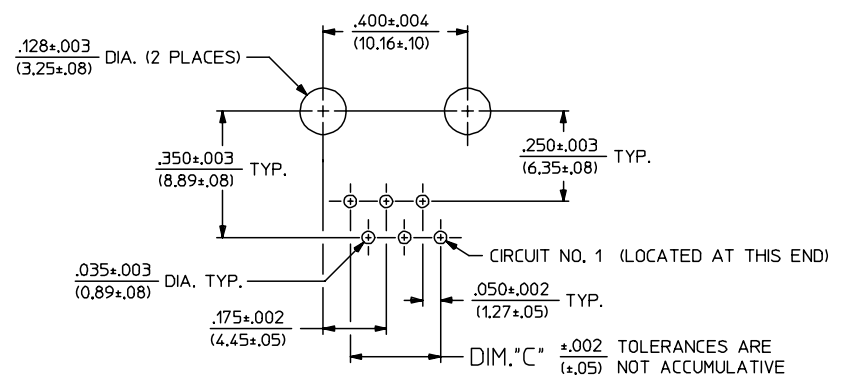
J
I
H
G
F
E
D
C
B
A

SEE SHEET ONE EC NO: UCP2006-2453 DRWN:PRIDDER 2006/06/14 CHKD:JBELL 2006/06/27 APPR:FSMITH 2006/06/29	QUALITY SYMBOLS	GENERAL TOLERANCES (UNLESS SPECIFIED)	SCALE ---	DESIGN UNITS INCH	THIRD ANGLE PROJECTION	REVISE ON CAD ONLY	
	- 0 - 0	mm	INCH	DIMENSION STYLE IN/MM		TITLE	
		4 PLACES ± --- ± ---	3 PLACES ± --- ± ---	DRAWN BY DATE		RIGHT ANGLE FLANGE MOUNT MODULAR JACK ASSEMBLY MOLEX INCORPORATED	
		2 PLACES ± --- ± ---	1 PLACE ± --- ± ---	GLT 1990/05/02			
	ANGULAR ±1/2°	CHECKED BY DATE		MATERIAL NO. DOCUMENT NO. SHEET NO.			
	DRAFT WHERE APPLICABLE MUST REMAIN WITHIN DIMENSIONS	BAP 1990/05/02		SEE CHART SDA-41314-***** 2 OF 3			
		APPROVED BY DATE		THIS DRAWING CONTAINS INFORMATION THAT IS PROPRIETARY TO MOLEX INCORPORATED AND SHOULD NOT BE USED WITHOUT WRITTEN PERMISSION			
		RAS 1990/05/02					

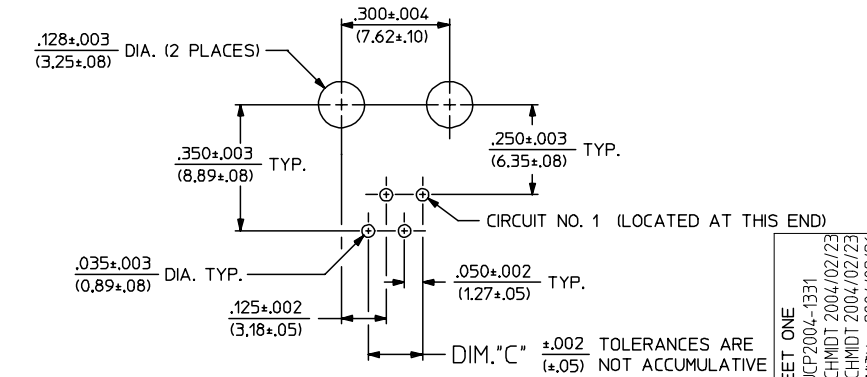
ib_frame_C_P_ME_T Rev. C 2002/05/05 12 11 10 9 8 7 6 5 4 3 2 1



PC BOARD LAYOUT FOR HOUSING SIZE 8



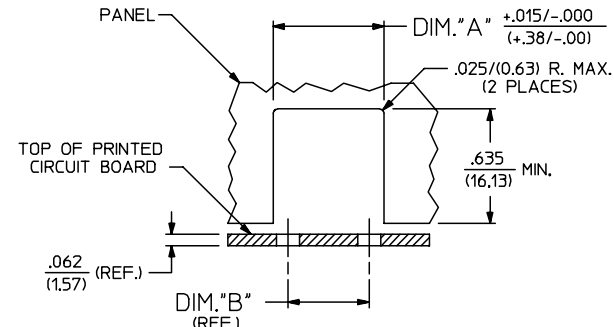
PC BOARD LAYOUT FOR HOUSING SIZE 6



PC BOARD LAYOUT FOR HOUSING SIZE 4

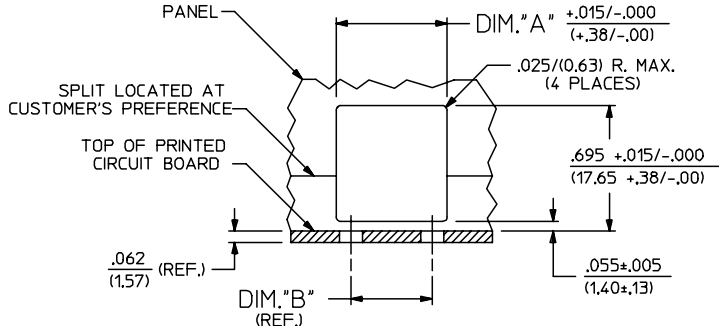
ENGINEERING PART NUMBER	HOUSING SIZE	CIRCUIT SIZE	DIM. "A"	DIM. "B"	DIM. "C"
A-41314-44*****	4	4	.455/(11.56)	.300/(7.62)	.150/(3.81)
A-41314-42*****	4	2	.455/(11.56)	.300/(7.62)	.050/(1.27)
A-41314-66*****	6	6	.535/(13.59)	.400/(10.16)	.250/(6.35)
A-41314-64*****	6	4	.535/(13.59)	.400/(10.16)	.150/(3.81)
A-41314-62*****	6	2	.535/(13.59)	.400/(10.16)	.050/(1.27)
A-41314-88*****	8	8	.615/(15.62)	.450/(11.43)	.350/(8.89)
A-41314-86*****	8	6	.615/(15.62)	.450/(11.43)	.250/(6.35)
A-41314-84*****	8	4	.615/(15.62)	.450/(11.43)	.150/(3.81)
A-41314-82*****	8	2	.615/(15.62)	.450/(11.43)	.050/(1.27)

NOTE: ALL RECOMMENDED BOARD LAYOUTS ARE SHOWN AS COMPONENT SIDE OF BOARD



PANEL CUT-OUT GUIDELINES (OPTION 1)

DIM. "A" MUST BE SYMMETRICAL TO DIM. "B" WITHIN .005/(0.13)



PANEL CUT-OUT GUIDELINES (OPTION 2)

DIM. "A" MUST BE SYMMETRICAL TO DIM. "B" WITHIN .005/(0.13)

SEE SHEET ONE EC NO: UCP2004-1331 DRW: LSCHEMIDT 2004/02/23 CHKD: LSCHEMIDT 2004/02/23 APPR: FSMITH 2004/02/26	QUALITY SYMBOLS ▽ = 0 ▽ = 0	GENERAL TOLERANCES (UNLESS SPECIFIED) mm INCH 4 PLACES ± --- ± --- 3 PLACES ± --- ± --- 2 PLACES ± --- ± --- 1 PLACE ± --- ± --- ANGULAR ±1/2°	SCALE --- INCH DIMENSION STYLE IN/MM DRAWN BY DATE GLT 1990/05/02 CHECKED BY DATE BAP 1990/05/02 APPROVED BY DATE RAS 1990/05/02	DESIGN UNITS THIRD ANGLE PROJECTION REVISE ON CAD ONLY TITLE PANEL/BOARD LAYOUTS FOR RIGHT ANGLE FLANGE MOUNT MODULAR JACK ASSEMBLIES MOLEX MOLEX INCORPORATED MATERIAL NO. DOCUMENT NO. SHEET NO. SEE SHEET 2 SDA-41314-***** 3 OF 3
	DRAFT WHERE APPLICABLE MUST REMAIN WITHIN DIMENSIONS		THIS DRAWING CONTAINS INFORMATION THAT IS PROPRIETARY TO MOLEX INCORPORATED AND SHOULD NOT BE USED WITHOUT WRITTEN PERMISSION	