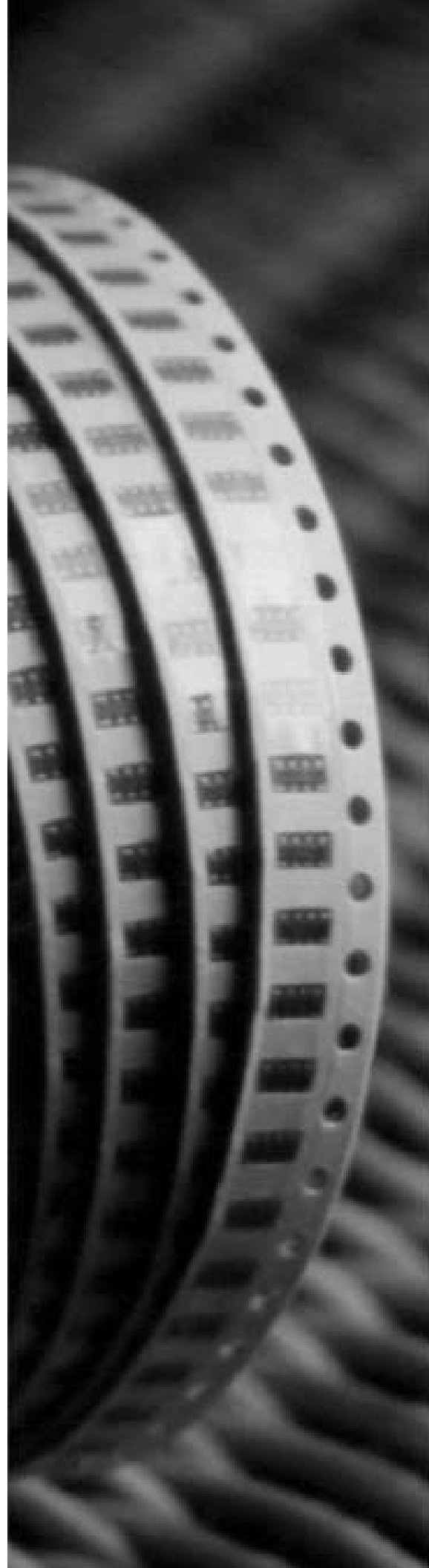


# DATA SHEET

## CHIP RESISTORS

RT Series (Pb Free)

1%; 0.5%; 0.25%; 0.1%



**SCOPE**

This specification describes RT series chip resistors with lead-free terminations made by thin film process.

**ORDERING INFORMATION**

Part number is identified by the series, size, tolerance, packing style, temperature coefficient, special type and resistance value.

**RT XXXX X X X XX XXXX L**  
(1) (2) (3) (4) (5) (6) (7)

**(1) SIZE**

- 0201 = 0.024×0.012
- 0402 = 0.040×0.020
- 0603 = 0.063×0.033
- 0805 = 0.083×0.051
- 1206 = 0.122×0.063
- 1210 = 0.122×0.102
- 2010 = 0.197×0.098
- 2512 = 0.250×0.126

**(2) TOLERANCE**

- L = ±0.01% (on request)
- W = ±0.05% (on request)
- B = ±0.1%
- C = ±0.25%
- D = ±0.5%
- F = ±1%

**(3) PACKAGING TYPE**

- R = Paper taping reel
- K = Embossed Plastic Tape Reel

**(4) TEMPERATURE CHARACTERISTIC OF RESISTANCE**

- B = ±10 ppm/°C (on request)
- C = ±15 ppm/°C (on request)
- D = ±25 ppm/°C
- E = ±50 ppm/°C

**(5) SPECIAL TYPE**

- 07 = 7 inch dia. Reel
- 13 = 13 inch dia. Reel

**(6) RESISTANCE VALUE**

5R6, 56R, 560R, 5K6, 56K, 1M

**(7) RESISTOR TERMINATIONS**

L = Lead free terminations (pure Tin)

**MARKING**

**RT0805/RT1206/RT1210/RT2010/RT2512**



Either resistance in E-24 or E-96: 4 digits  
First three digits for significant figure and 4th digit for number of zeros

**RT0603**

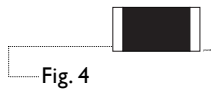


E-24 series: 3 digits  
First two digits for significant figure and 3rd digit for number of zeros



E-96 series: 3 digits for 0603±1% EIA-96 marking method. See Table I

**RT0201/ RT0402/ RESISTANCE VALUE IS NOT IN E-24 / E96 SERIES**



No value marking

**EIA - 96 MARKING RULE**

Table I shows the first two digits of the three-digit EIA-96 part-marking scheme.

Code	Value	Code	Value	Code	Value	Code	Value	Code	Value	Code	Value	Code	Value	Code	Value
01	100	13	133	25	178	37	237	49	316	61	422	73	562	85	750
02	102	14	137	26	182	38	243	50	324	62	432	74	576	86	768
03	105	15	140	27	187	39	249	51	332	63	442	75	590	87	787
04	107	16	143	28	191	40	255	52	340	64	453	76	604	88	806
05	110	17	147	29	196	41	261	53	348	55	464	77	619	89	825
06	113	18	150	30	200	42	267	54	357	66	475	78	634	90	845
07	115	19	154	31	205	43	274	55	365	67	487	79	649	91	866
08	118	20	158	32	210	44	280	56	374	68	499	80	665	92	887
09	121	21	162	33	215	45	287	57	383	69	511	81	681	93	909
10	124	22	165	34	221	46	294	58	392	70	523	82	698	94	931
11	127	23	169	35	226	47	301	59	402	71	536	83	715	95	953
12	130	24	174	36	232	48	309	60	412	72	549	84	732	96	976

The third character is a letter multiplier:  
X=10<sup>-1</sup>, Y=10<sup>-2</sup>, A=10<sup>0</sup>, B=10<sup>1</sup>, C=10<sup>2</sup>, D=10<sup>3</sup>, E=10<sup>4</sup>, F=10<sup>5</sup>

**CONSTRUCTION**

The resistors are constructed out of a high-grade ceramic body. Internal metal electrodes are added at each end and connected by a resistive material. The composition of the resistive material is adjusted to give the approximate required resistance and laser cutting of this resistive layer that achieves tolerance trims the value. The resistive layer is covered with a protective coat and printed with the resistance value. Finally, the two external terminations (pure Tin) are added. See fig.5

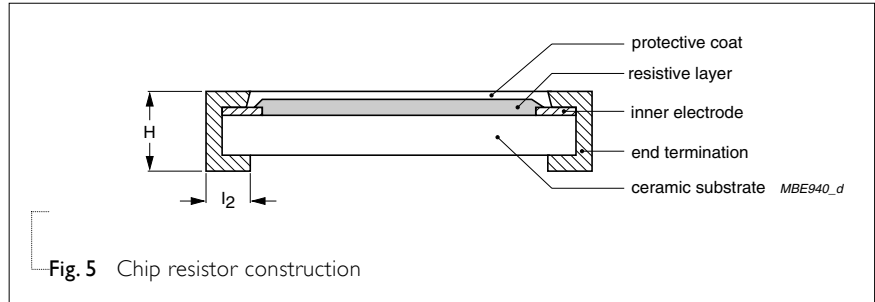


Fig. 5 Chip resistor construction

**DIMENSION**

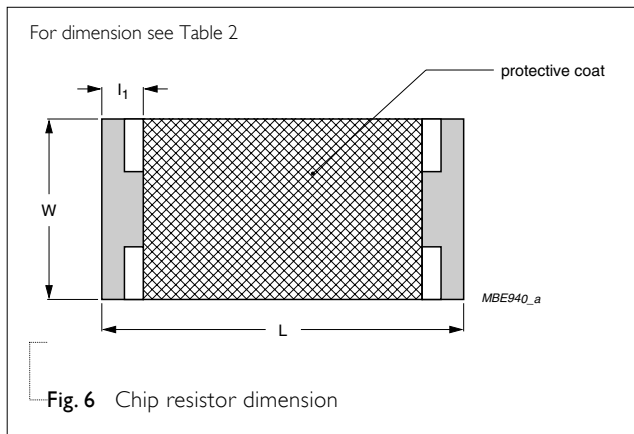


Fig. 6 Chip resistor dimension

Table 2

TYPE	L (mm)	W (mm)	H (mm)	l <sub>1</sub> (mm)	l <sub>2</sub> (mm)
RT0201	0.6±0.10	0.30±0.05	0.25±0.05	0.15±0.10	0.15±0.10
RT0402	1.00±0.10	0.50±0.05	0.35±0.05	0.20±0.10	0.25±0.10
RT0603	1.60±0.10	0.80±0.10	0.45±0.10	0.25±0.15	0.25±0.15
RT0805	2.00±0.10	1.25±0.10	0.50±0.10	0.35±0.20	0.35±0.20
RT1206	3.10±0.10	1.60±0.10	0.55±0.10	0.45±0.20	0.40±0.20
RT1210	3.10±0.10	2.60±0.15	0.55±0.10	0.50±0.20	0.50±0.20
RT2010	5.00±0.10	2.50±0.15	0.55±0.10	0.60±0.20	0.50±0.20
RT2512	6.35±0.10	3.20±0.15	0.55±0.10	0.60±0.20	0.50±0.20

**POWER RATING**

**RATED POWER AT 70°C:**

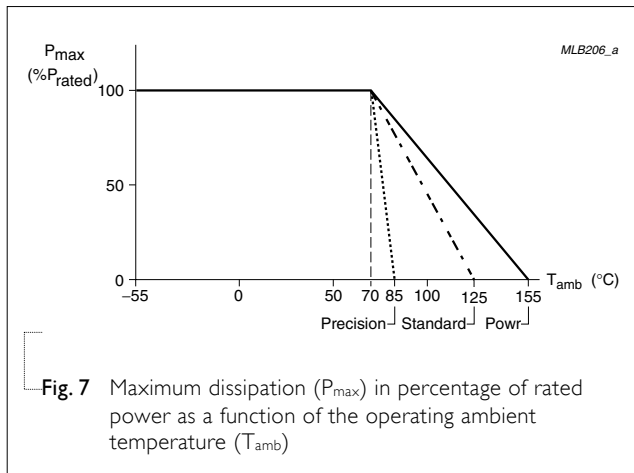


Fig. 7 Maximum dissipation (P<sub>max</sub>) in percentage of rated power as a function of the operating ambient temperature (T<sub>amb</sub>)

**RATED VOLTAGE:**

The DC or AC (rms) continuous working voltage corresponding to the rated power is determined by the following formula:

$$V = \sqrt{P \times R}$$

Where

V=Continuous rated DC

or AC (rms) working voltage (V)

P=Rated power (W)

R=Resistance value (Ω)

**ELECTRICAL CHARACTERISTICS**

Table 3

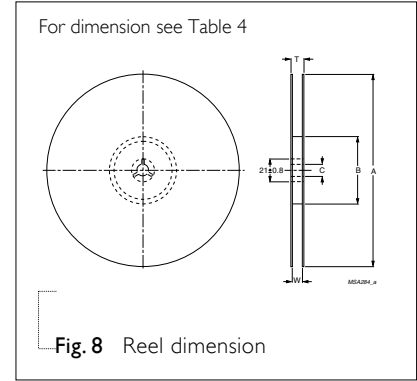
CHARACTERISTICS	RT0201			RT0402			RT0603			RT0805		
	Precision	Standard	Power	Precision	Standard	Power	Precision	Standard	Power	Precision	Standard	Power
OPERATION MODE	Precision	Standard	Power	Precision	Standard	Power	Precision	Standard	Power	Precision	Standard	Power
POWER RATING @ 70°C	1/64W	1/20W	1/16W	1/64W	1/16W	1/10W	1/32W	1/10W	1/8W	1/20W	1/8W	1/5W
OPERATING TEMPERATURE RANGE	-10°C to +85°C for precision type; -55°C to +125°C for standard; -55°C to +155°C for power type											
RESISTANCE RANGE IN E-24/E-96 (E-192; special value on Request)	33Ω~22KΩ (<33Ω; 22~56KΩ on Request)			10Ω~121KΩ (<10Ω; 121~220KΩ on Request)			3Ω~681KΩ (<3Ω; 681~750KΩ on Request)			3Ω~1.5MΩ (<3Ω; 1.5~2MΩ on Request)		
MAXIMUM WORKING VOLTAGE	5V	15V	15V	12.5V	50V	50V	25V	75V	75V	35V	150V	150V
MAXIMUM OVERTOAD VOLTAGE	10V	50V	50V	25V	100V	100V	50V	150V	150V	70V	300V	300V
DIELECTRIC WITHSTAND VOLTAGE	50V	50V	50V	75V	75V	75V	100V	100V	100V	200V	200V	200V
RESISTANCE TOLERANCE	±0.1%; ±0.25%; ±0.5%; ±1.0% (±0.01%; ±0.05% on Request)											
TEMPERATURE COEFFICIENT	±25ppm/°C; ±50ppm/°C; (±10ppm/°C; ±15ppm/°C on Request)											

CHARACTERISTICS	RT1206			RT1210			RT2010		RT2512	
	Precision	Standard	Power	Precision	Standard	Power	Standard	Power	Standard	Power
OPERATION MODE	Precision	Standard	Power	Precision	Standard	Power	Standard	Power	Standard	Power
POWER RATING @ 70°C	1/10W	1/8W	1/4W	1/8W	1/4W	2/5W	1/2W	3/4W	3/4W	1W
OPERATING TEMPERATURE RANGE	-10°C to +85°C for precision type; -55°C to +125°C for standard; -55°C to +155°C for power type									
RESISTANCE RANGE IN E-24/E-96 (E-192; special value on Request)	3Ω~1.5MΩ (<3Ω; 1.5~2MΩ on Request)			1Ω~1MΩ (1M~2MΩ on Request)			10Ω~1MΩ (<10Ω; 1M~2MΩ on Request)		10Ω~1MΩ (<10Ω; 1M~2MΩ on Request)	
MAXIMUM WORKING VOLTAGE	50V	200V	200V	50V	200V	200V	200V	200V	200V	200V
MAXIMUM OVERTOAD VOLTAGE	100V	400V	400V	100	400	400V	400V	400V	400V	400V
DIELECTRIC WITHSTAND VOLTAGE	300V	300V	300V	400	400V	400V	400V	400V	400V	400V
RESISTANCE TOLERANCE	±0.1%; ±0.25%; ±0.5%; ±1.0% (±0.01%; ±0.05% on Request)									
TEMPERATURE COEFFICIENT	±25ppm/°C; ±50ppm/°C; (±10ppm/°C; ±15ppm/°C on Request)									

**TAPING REEL**

Table 4

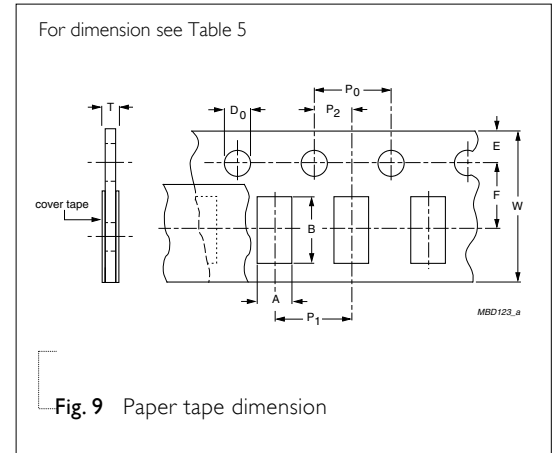
DIMENSION	RT0201	RT0402	RT0603	RT0805	RT1206	RT1210	RT2010	RT2512
PACKAGING	Paper	Paper	Paper	Paper	Paper	Paper	Embossed	Embossed
TAPE WIDTH	8mm	8mm	8mm	8mm	8mm	8mm	12mm	12mm
ØA (mm)	180+0/-3	180+0/-3	180+0/-3	180+0/-3	180+0/-3	180+0/-3	180+0/-3	180+0/-3
ØB (mm)	60+1/-0	60+1/-0	60+1/-0	60+1/-0	60+1/-0	60+1/-0	60+1/-0	60+1/-0
ØC (mm)	13.0±0.2	13.0±0.2	13.0±0.2	13.0±0.2	13.0±0.2	13.0±0.2	13.0±0.2	13.0±0.2
W (mm)	9.0±0.3	9.0±0.3	9.0±0.3	9.0±0.3	9.0±0.3	9.0±0.3	13.0±0.3	13.0±0.3
T <sub>max</sub> (mm)	11.4±1	11.4±1	11.4±1	11.4±1	11.4±1	11.4±1	15.4±1	15.4±1



**PAPER TAPE SPECIFICATION**

Table 5

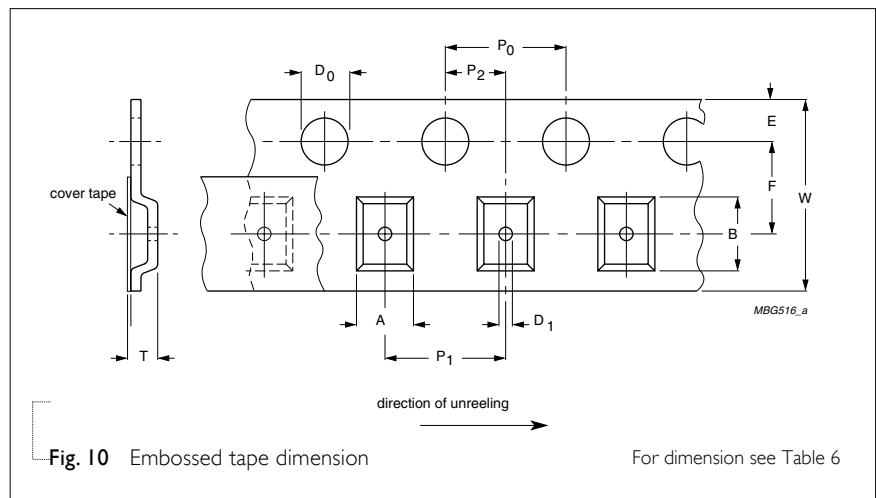
DIMENSION	RT0201	RT0402	RT0603	RT0805	RT1206	RT1210
A (mm)	0.45±0.1	0.65±0.1	1.1±0.1	1.65±0.1	1.90±0.1	2.80±0.1
B (mm)	0.75±0.1	1.15±0.1	1.90±0.1	2.40±0.1	3.50±0.1	3.50±0.1
W (mm)	8.0±0.2	8.0±0.2	8.0±0.2	8.0±0.2	8.0±0.2	8.0±0.2
E (mm)	1.75±0.1	1.75±0.1	1.75±0.1	1.75±0.1	1.75±0.1	1.75±0.1
F (mm)	3.5±0.05	3.5±0.05	3.5±0.05	3.5±0.05	3.5±0.05	3.5±0.05
P <sub>0</sub> (mm)	4.0±0.1	4.0±0.1	4.0±0.1	4.0±0.1	4.0±0.1	4.0±0.1
P <sub>1</sub> (mm)	2.0±0.05	4.0±0.05	4.0±0.05	4.0±0.05	4.0±0.05	4.0±0.05
P <sub>2</sub> (mm)	2.0±0.05	2.0±0.05	2.0±0.05	2.0±0.05	2.0±0.05	2.0±0.05
ØD <sub>0</sub> (mm)	1.5+0.1/-0	1.5+0.1/-0	1.5+0.1/-0	1.5+0.1/-0	1.5+0.1/-0	1.5+0.1/-0
T <sub>max</sub> (mm)	0.35±0.10	0.53±0.10	0.70±0.10	0.85±0.10	0.85±0.10	0.85±0.10



**EMBOSSED TAPE SPECIFICATION**

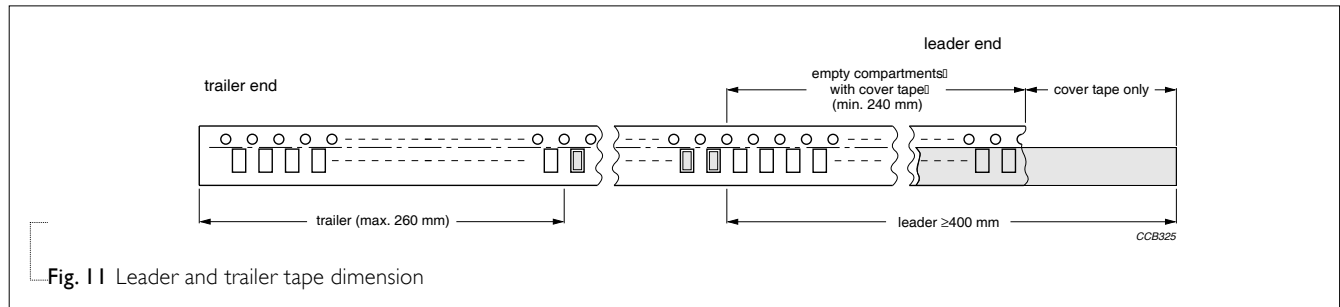
Table 6

DIMENSION	RT2010	RT2512
A (mm)	2.80±0.2	3.5±0.2
B (mm)	5.4±0.2	6.7±0.2
W (mm)	12.0±0.3	12±0.3
E (mm)	1.75±0.1	1.75±0.1
F (mm)	5.5±0.05	5.5±0.05
P <sub>0</sub> (mm)	4.0±0.1	4.0±0.1
P <sub>1</sub> (mm)	4.0±0.1	4.0±0.1
P <sub>2</sub> (mm)	2.0±0.05	2.0±0.05
ØD <sub>0</sub> (mm)	1.5+0.1/-0	1.5+0.1/-0
ØD <sub>1</sub> (mm)	1.5+0.25/-0	1.5+0.25/-0
T (mm)	1.0±0.1	1.0±0.1



**PACKING METHOD**

**LEADER/TRAILER TAPE SPECIFICATION**



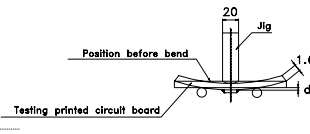
**Table 7** Packing style and packaging quantity

PACKING STYLE	REEL DIMENSION	RT0201	RT0402	RT0603	RT0805	RT1206	RT1210	RT2010	RT2512
Paper Taping Reel (R)	7" (178 mm)	10,000	10,000	5,000	5,000	5,000	5,000	---	---
	13" (330 mm)	---	50,000	20,000	20,000	20,000	20,000	---	---
Embossed Taping Reel (K)	7" (178 mm)	---	---	---	---	---	---	4,000	4,000

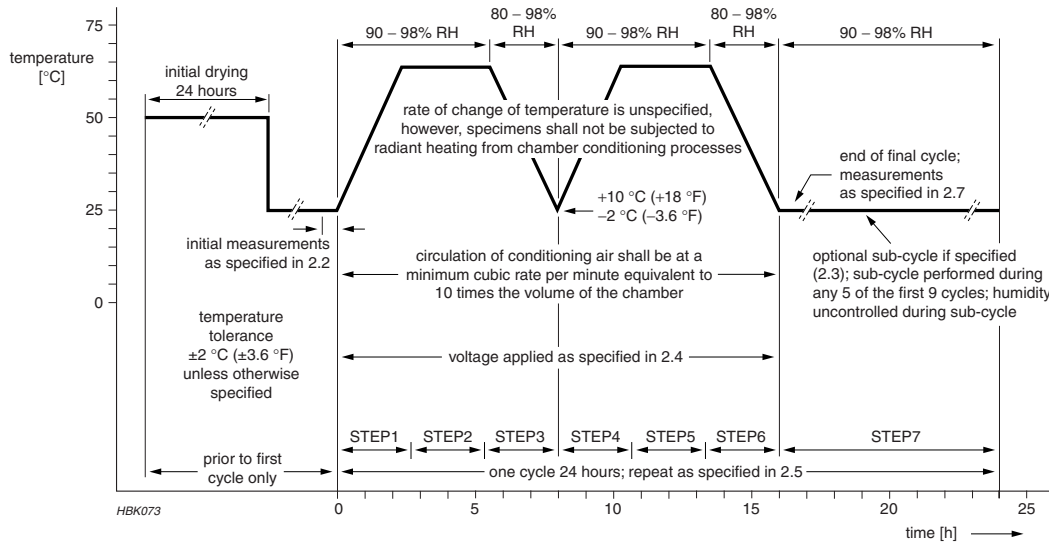
TYPE	TEST METHOD	ACCEPTANCE STANDARD
<b>Temperature Coefficient of Resistance (T.C.R.)</b>	<p>Measure resistance at +25°C or specified room temperature as R<sub>1</sub>, then measure at -55°C or +125°C respectively as R<sub>2</sub>. Determine the temperature coefficient of resistance from the following formula:</p> <p><b>Formula</b></p> $T.C.R. = \frac{R_2 - R_1}{R_1(t_2 - t_1)} \times 10^6 \text{ (ppm/°C)}$ <p>Where                      t<sub>1</sub> = +25°C or specified room temperature                      t<sub>2</sub> = -55°C or +125°C test temperature                      R<sub>1</sub> = resistance at reference temperature in ohms                      R<sub>2</sub> = resistance at test temperature in ohms</p>	Refer to table 3
<b>Thermal Shock</b>	<p>At -55±3°C for 2 minutes and at +125±2°C for 2 minutes as one cycle. After 25 cycles, the specimen shall be stabilized at room temperature. Measure the resistance to determine ΔR/R(%) after one more hour.</p>	<p>±(0.5%+0.05Ω)                      High stability, ±0.1% or ±0.25% on Request</p>
<b>Low Temperature Operation</b>	<p>Place the specimen in a test chamber maintained at -65 (+0/-5)°C. After one hour stabilization at this temperature, full rated working voltage shall be applied for 45 (+5/-0) minutes. Have 15 (+5/-0) minutes after remove the voltage, the specimen shall be removed from the chamber and stabilized at room temperature for 24 hrs. Measure the resistance to determine ΔR/R(%).</p>	<p>±(0.5%+0.05Ω)                      No mechanical damage                      High stability, ±0.1% or ±0.25% on Request</p>
<b>Short Time Overload</b>	<p>Apply 2.5 times of rated voltage but not exceeding the maximum overload voltage for 5 seconds. Have the specimen stabilized at room temperature for 30 minutes minimum. Measure the resistance to determine ΔR/R(%).</p>	<p>±(0.5%+0.05Ω)                      No evidence of mechanical damage                      High stability, ±0.1% or ±0.25% on Request</p>
<b>Insulation Resistance</b>	<p>Place the specimen in the jig and apply a rated continuous overload voltage (R.C.O.V) for one minute. Measure the insulation resistance.</p>	≥10,000MΩ
<b>Dielectric Withstand Voltage</b>	<p>Place the specimen in the jig and apply a specified value continuous overload voltage as shown for one minute.</p>	Breakdown voltage > specification and without open/short
<b>Resistance To Soldering Heat</b>	<p>Immerse the specimen in the solder pot at 260±5°C. for 10±1 seconds. Have the specimen stabilized at room temperature for 30 minutes minimum. Measure the resistance to determine ΔR/R(%).</p>	<p>±(0.5%+0.05Ω)                      No visible damage                      High stability, ±0.1% or ±0.25% on Request</p>

TYPE	TEST METHOD	ACCEPTANCE STANDARD
<b>Moisture Resistance</b>	Place the specimen in the test chamber and subject to 42 damp heat cycles. Each one of which consists of the steps 1 to 7 as figure 13. The total length of test is 1,000 hours. Have the specimen stabilized at room temperature for 24 hours after testing. Measure the resistance to determine $\Delta R/R(\%)$ .	$\pm(0.5\%+0.05\Omega)$ No visible damage High stability, $\pm 0.1\%$ or $\pm 0.25\%$ on Request
<b>Life</b>	Place the specimen in the oven at $70\pm 2^\circ\text{C}$ . Apply the rated voltage to the specimen at the 1.5 hours on and 0.5 hour off cycle. The total length of test is 1,000 hours. Have the specimen stabilized at room temperature for one hour minimum after testing. Measure the $\Delta R/R(\%)$ .	$\pm(0.5\%+0.05\Omega)$ High stability, $\pm 0.1\%$ or $\pm 0.25\%$ on Request
<b>Solderability</b>	Immerse the specimen in the solder pot at $245\pm 5^\circ\text{C}$ for 5 sec.	At least 95% solder coverage on the termination

**Bending Strength** Mount the specimen on a test board as shown in the figure 12. Slowly apply the force till the board is bent for  $5\pm 1$  sec.  
Measure the  $\Delta R/R(\%)$  at this position.



**Fig. 12** Principle of the bending test



**Fig. 13** Conditions by change of temperature



REVISION HISTORY

REVISION	DATE	CHANGE NOTIFICATION	DESCRIPTION
Version 0	Nov. 11, 2003	-	- First issue of this specification
Version 0	May 25, 2004	-	- Taping reel 10" and bulk cassette removed, ordering information (code rule) updated