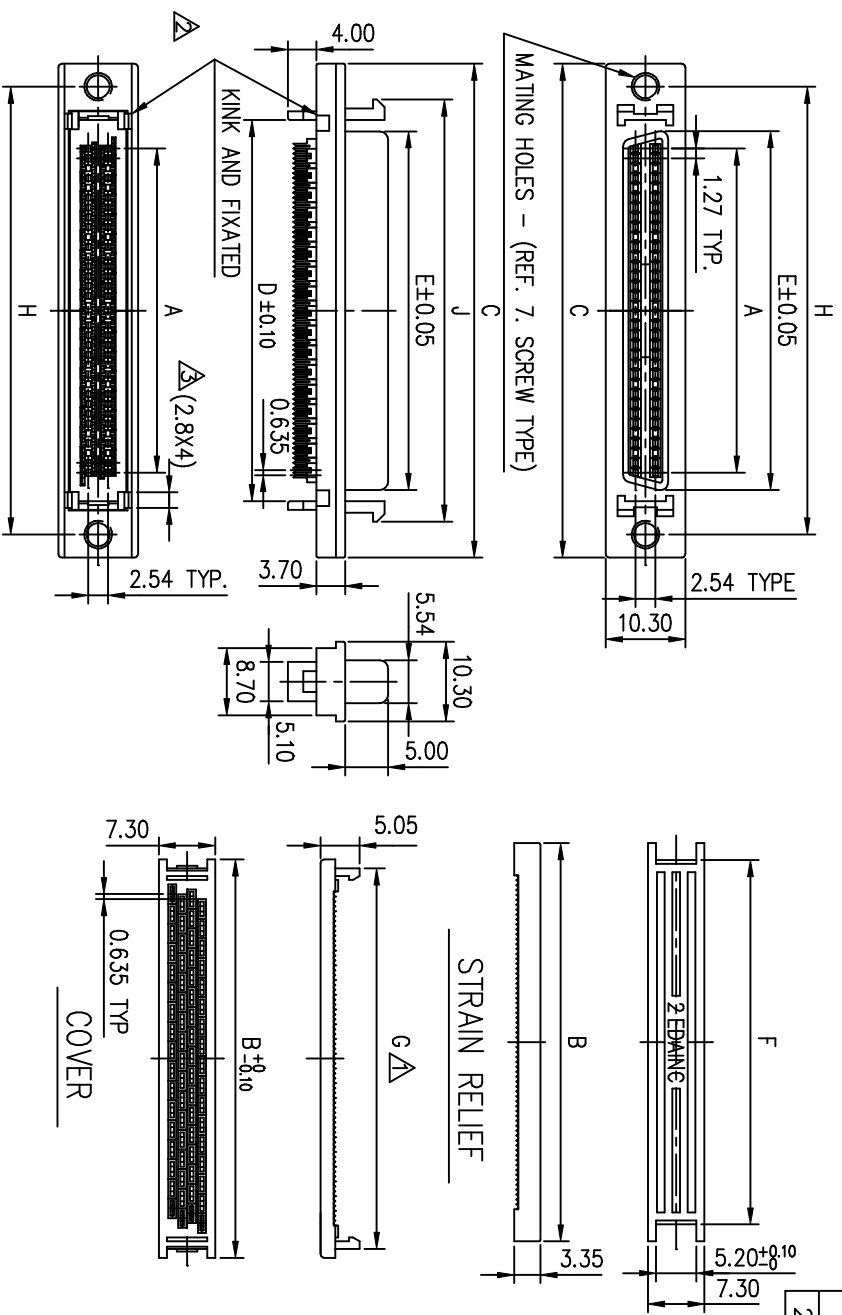


3		modified the tabs width : odd the retention force spec.: 20kgf min	4/11/2002	LPB	Peterhu
---	--	--	-----------	-----	---------

REV.	ZONE	LTR	DESCRIPTION	DATE	REVISER	APPD
1			MODIFY TOLERANCE +0.10 -> +0.25 4/18/2001		TONY	Wenson
2			Modify Kink Style	5/31/2001	Perry	Wong



HOUSING & CONTACT ASSEMBLY

SPECIFICATION -

- INSULATOR MATERIAL : PBT WITH GLASS-FIBER REINFORCED UL 94V-0
- CONTACT MATERIAL : PHOSPHOR BRONZE , GOLD OVER NICKEL
- RATED CURRENT : 1A
- INSULATION RESISTANCE : 500MΩ MIN.
- CONTACT RESISTANCE : 35mΩ MAX.
- DIELECTRIC WITHSTANDING VOLTAGE : AC 250V FOR 1 MINUTE.
- OPERATING TEMPERATURE : -55°C - +105°C.
- The housing & bracket retention-force spec. : 20.0kgf min.

ORDERING INFORMATION

1. SERIES NUMBER :
 8E 068 S - 3 2 5 1 1
 (1) (2) (3) (4) (5) (6) (7) (8)
 BE : HIGH DENSITY 1.27(0.050") SPACING MINI CONNECTOR
 FLAT CABLE I.D.C TYPE 0.635(0.025")
 (FOR 30 AWG WIRE OR WIRE DIAMETER
 0.45 - 0.60 mm)
2. NO OF CONTACTS :
 EX 068 : 68 POSITIONS
3. CONTACT TYPE :
 P : PLUG S : SOCKET
4. COLOR (INSULATOR)
 3 : BLACK
5. CONTACT FINISH :
 0 : SELECTED GOLD FLASH OVER 30μ" NICKEL
 2 : 15μ" SELECTIVE GOLD OVER 50 μ" NICKEL
 3 : 30μ" SELECTIVE GOLD OVER 50 μ" NICKEL
6. METAL SHELL FINISH :
 0 : ALL PLASTIC
7. SCREW TYPE :
 0 : NONE, 1 : 4-40 UNC, 2 : 2-56 UNC, 3 : M2.6*0.45
8. BLACKET TYPE
 0 : NONE
 1 : WITHOUT RAILS, WITH LATCH BLOCKS
 2 : WITH RAILS & LATCH BLOCKS
 3 : WITHOUT RAILS & LATCH BLOCKS

J	H	G	F	E	D	C	B	A	NO. OF POSITION	PART NO.
53.72 (2.114)	57.91 (2.280)	49.20 (1.937)	47.10 (1.854)	46.13 (1.816)	49.30 (1.941)	64.05 (2.521)	51.50 (2.028)	41.91 (1.650)	68	8E068S

MATERIAL		TOLERANCE UNSPECIFIED		EDA INC.		SCALE		UNIT	
		± 0.25				1.4 : 1		MM	
FINISH		ANGLE		NAME		SHEET		REV.	
		± 1°		TONY 2/24/00		BE SERIES SCSI-III H.D. RECEPTACLE ASSEMBLY IDC TYPE 0.635(.025")		/	
DESIGNER		CHECKED		APPROVED		DRAWING NO.		REV.	
				JOHN		R-S108E-6		/	