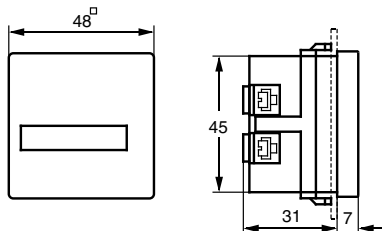


## Elapsed time counters BG 40

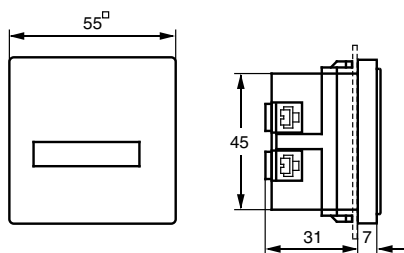
for panel mounting  
Direct Current

- Front panel 48 x 48 mm
- With retaining clip
- With universal connections
- Touch proof connections to VBG4
- Direct current quartz crystal



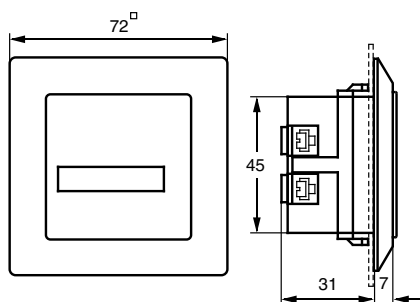
Type/Order No	Mounting aperture
<b>BG 40.17</b>	46 □

- Front panel with trim 55 x 55 mm
- With retaining clip
- With universal connections
- Touch proof connections to VBG4
- Direct current quartz crystal



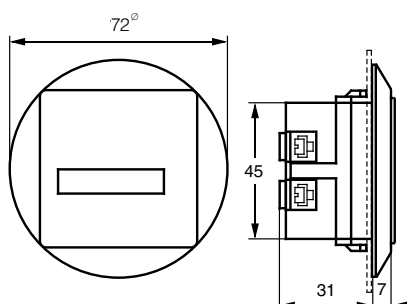
Type/Order No	Mounting aperture
<b>BG 40.27</b>	46 □ or Ø 50,5

- Front panel with mask 72 x 72 mm
- With retaining clip
- With universal connections
- Touch proof connections to VBG4
- Direct current quartz crystal



Type/Order No	Mounting aperture
<b>BG 40.37</b>	46 □ or Ø 50,5

- Front panel with mask Ø 72 mm
- With retaining clip
- With universal connections
- Touch proof connections to VBG4
- Direct current quartz crystal



Type/Order No	Mounting aperture
<b>BG 40.57</b>	Ø 60

## Elapsed time counters BG 40

for panel mounting

Direct current

### Special features

- Large format numerals 4.4 mm in height
- Quick-fix retaining clip
- Attachments for other cutouts
- Quartz crystal stabilized
- Wide voltage ranges

Technical data	
<b>Supply voltages</b>	12–48 VDC
<b>Special voltages</b> (please state when ordering)	5–24 V, 36–110 V
<b>Other voltages</b>	on request
<b>Voltage tolerance</b>	±10%
<b>Power consumption</b>	approx 20 mW at 12 V
<b>Counter capacity</b>	999999 h
<b>Accuracy of reading</b>	0.1 h
<b>Numeral height</b>	4.4 mm
<b>Numeral colour</b>	white, decimal figures red
<b>Operation indicator</b>	fast-running wheel
<b>Permitted ambient temperature</b>	-10°...+50°C
<b>Enclosure</b>	self-extinguishing thermoplastic, black
<b>Switchboard flush mounting</b>	housing to DIN 43700
<b>Type of connection</b>	Universal: Screw, soldered and 6.3 x 0.8 mm AMP plug-type connections
<b>Type of protection</b>	Terminals IP 20 Front IP 50 to DIN 40050 (with moisture seal 101.003.004: IP 54)
<b>Class of protection</b>	III (up to 48 VDC)

Accessories	
<b>Retaining bracket for fixing to wall or distribution board</b>	692.006.014
<b>Terminal cover for retaining bracket</b>	003.007.003
<b>Trim 55 x 55 mm</b>	190.003.004
<b>Mask 72 x 72 mm</b>	190.004.004
<b>Mask Ø 72 (for flush mounting-Ø 60 mm)</b>	190.008.004
<b>Mask Ø 72 (for flush mounting-Ø 50.5 mm)</b>	190.009.004
<b>Moisture seal for IP 54</b>	101.003.004
<b>Panel seal for BG 40.27</b>	101.001.004