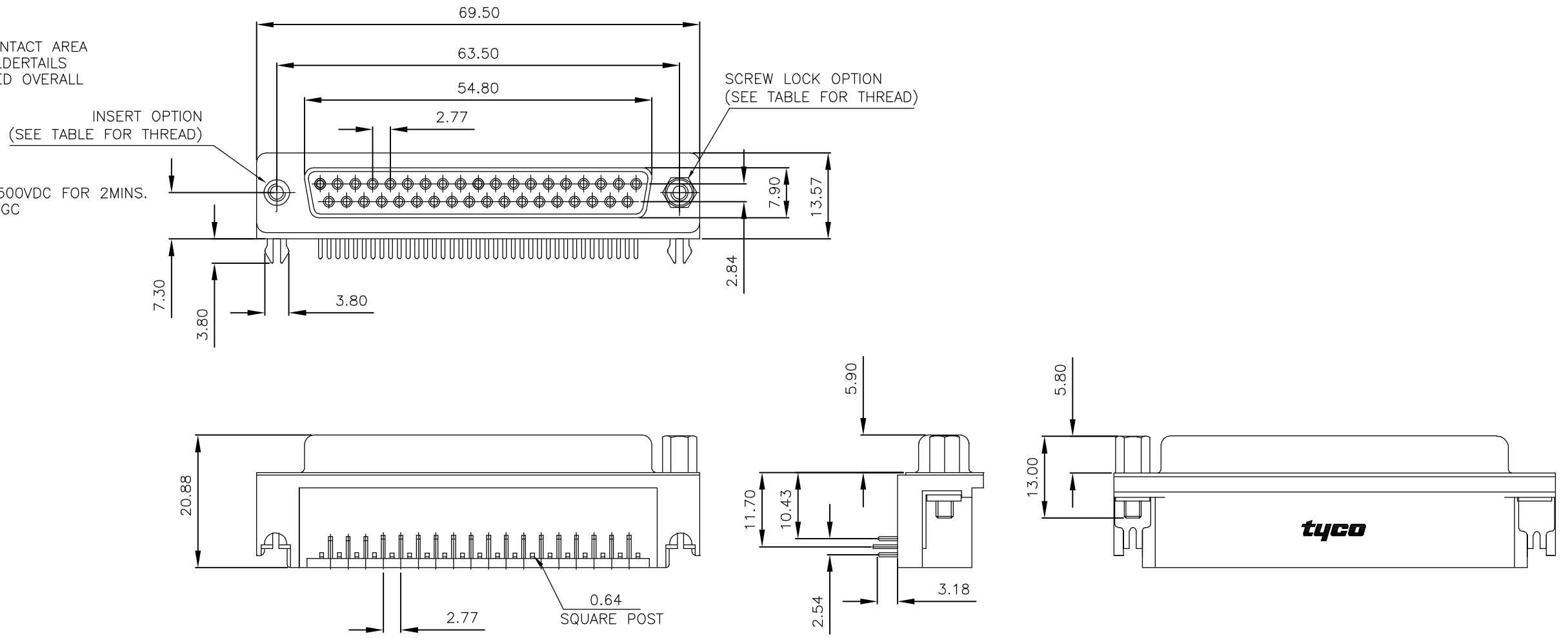


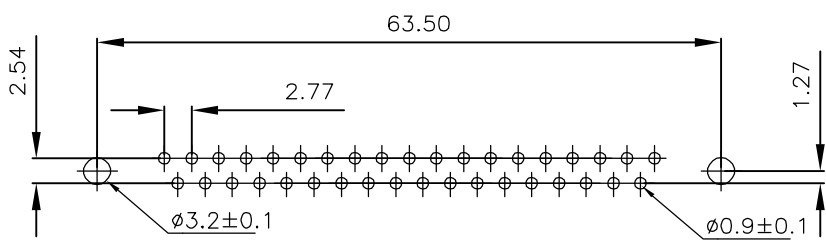
THIS DRAWING IS UNPUBLISHED. RELEASED FOR PUBLICATION OCT , 2003.  
 © COPYRIGHT 2003 BY TYCO ELECTRONICS CORPORATION. ALL RIGHTS RESERVED.

| LOC | DIST | REVISIONS |     |              |           |     |      |
|-----|------|-----------|-----|--------------|-----------|-----|------|
|     |      | P         | LTR | DESCRIPTION  | DATE      | DWN | APVD |
| E   | B    |           | B   | EBDO-0068-04 | 27JAN2004 | JMS | FWK  |

- NOTES:
- FOR LOCAL DATA REFER TO YOUR LOCAL TYCO ELECTRONICS SALES OFFICE.
  - ALL DIMENSIONS ARE NOMINAL FOR REFERENCE ONLY UNLESS OTHERWISE STATED.
  - MATERIAL :  
 HOUSING : THERMOPLASTIC, UL94V-0  
 BLACK COLOR  
 CONTACTS : PHOSPHOR BRONZE  
 SHELL : STEEL  
 BOARDLOCK : BRASS  
 SCREW : BRASS
  - FINISH :  
 CONTACT : 0.38µm MIN. GOLD PLATED ON CONTACT AREA  
 2.54µm MIN. TIN PLATED ON SOLDER TAILS  
 1.27µm MIN. NICKEL UNDERPLATED OVERALL  
 SHELL : 1.52µm MIN. TIN PLATED  
 BOARD LOCK : 1.52µm MIN. TIN PLATED  
 SCREW : 1.27µm MIN. NICKEL PLATED.
  - CHARACTERISTICS  
 CURRENT RATING : 5A  
 INSULATION RESISTANCE : 1000MOHMS MIN, 500VDC FOR 2MINS.  
 TEMPERATURE RATING : -55DEGC ~ +105DEGC  
 VOLTAGE RATING : 250VDC



P.C.B. LAYOUT

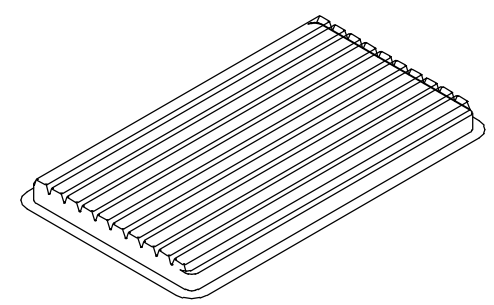
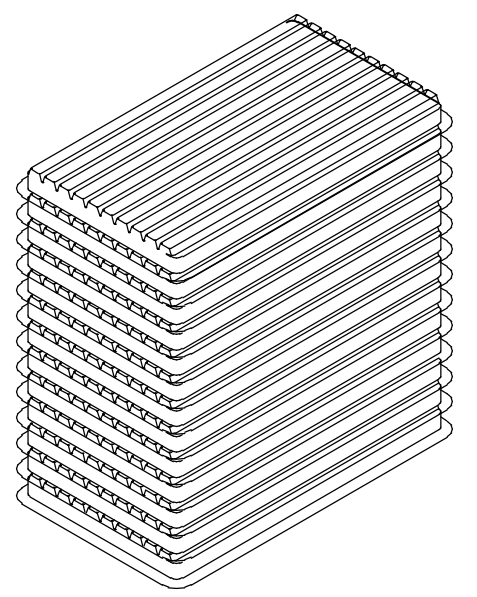


|   |               |
|---|---------------|
| 37 WAY D SOCKET WITH BOARD LOCKS & 2 x M3 SCREW LOCKS, 0.38µm GOLD, RIGHT ANGLE   | 4-1634587-2   |
| 37 WAY D SOCKET WITH BOARD LOCKS & 2 x 4-40 SCREW LOCKS, 0.38µm GOLD, RIGHT ANGLE | 3-1634587-2   |
| 37 WAY D SOCKET WITH BOARD LOCKS & 2 x M3 INSERTS, 0.38µm GOLD, RIGHT ANGLE       | 2-1634587-2   |
| 37 WAY D SOCKET WITH BOARD LOCKS & 2 x 4-40 INSERTS, 0.38µm GOLD, RIGHT ANGLE     | 1-1634587-2   |
| DESCRIPTION   | TYCO PART No. |

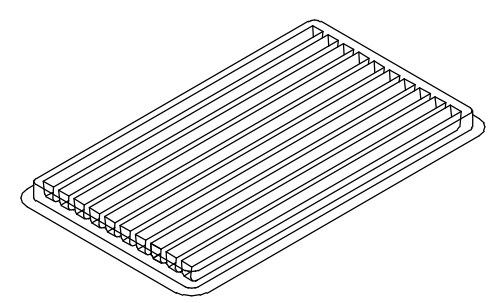
|   |  |                               |  |  |
|---|--|-------------------------------|--|--|
| THIS DRAWING IS A CONTROLLED DOCUMENT.                                      |  | DWN J.SANDWELL 15SEP2003      | Tyco Electronics Corporation<br>Stanmore, Middlesex, HA7 4RS |  |
| DIMENSIONS: MM  |  | CHK S.EBBUTT 15SEP2003        |  |  |
| TOLERANCES UNLESS OTHERWISE SPECIFIED:                                      |  | APVD F.WHEELER-KING 15SEP2003 | NAME 37 WAY D-SUB SOCKET WITH BOARD LOCK                     |  |
| 0 PLC ± -<br>1 PLC ± -<br>2 PLC ± -<br>3 PLC ± -<br>4 PLC ± -<br>ANGLES ± - |  | PRODUCT SPEC -                | SIZE CAGE CODE DRAWING NO RESTRICTED TO                      |  |
| MATERIAL -  |  | APPLICATION SPEC -            | A3 00779 C-1634587   |  |
| FINISH -  |  | WEIGHT SEE NOTE               | SCALE NTS SHEET 1 OF 2 REV B                                 |  |
| CUSTOMER DRAWING  |  |                               |  |  |

THIS DRAWING IS UNPUBLISHED. RELEASED FOR PUBLICATION OCT ,2003.  
 © COPYRIGHT 2003 BY TYCO ELECTRONICS CORPORATION. ALL RIGHTS RESERVED.

| LOC | DIST | REVISIONS   |      |     |      |
|-----|------|-------------|------|-----|------|
| P   | LTR  | DESCRIPTION | DATE | DWN | APVD |
|     | B    | SEE SHEET 1 | -    | -   | -    |

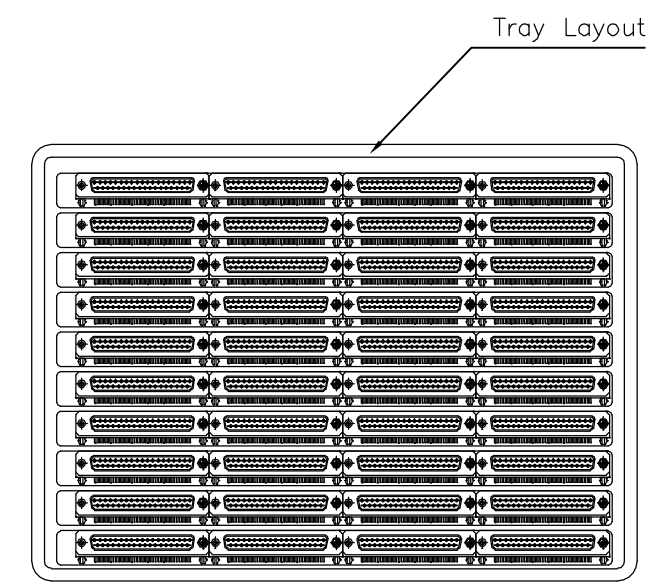
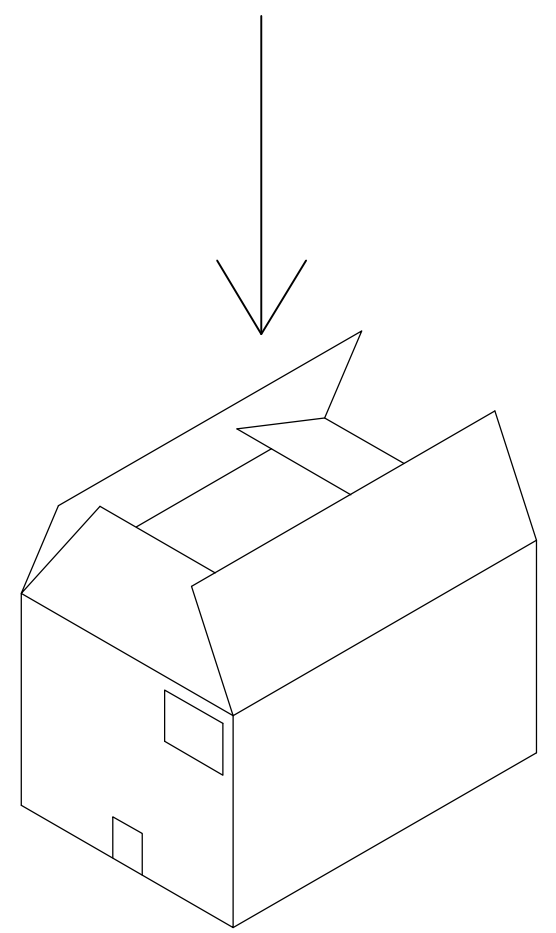


COVER



TRAY

NOTES:  
 1.DIMENSION:  
 TRAY:L=310,W=220,H=23  
 SHIPPING BOX:L=335,W=230,H=320  
 2.QUANTITY:  
 40 PCS/TRAY  
 13 TRAY/SHIPPING BOX



|  |     |                                     |   |                    |     |       |     |       |     |       |     |        |     |                   |   |  |
|--|-----|-------------------------------------|---|--------------------|-----|-------|-----|-------|-----|-------|-----|--------|-----|-------------------|---|--|
| THIS DRAWING IS A CONTROLLED DOCUMENT.   |     | DWN<br>J.SANDWELL<br>15SEP2003      | <b>tyco</b> Tyco Electronics Corporation        |                    |     |       |     |       |     |       |     |        |     |                   |   |  |
| DIMENSIONS:<br>MM  |     | CHK<br>S.EBBUTT<br>15SEP2003        | <b>Electronics</b> Stanmore, Middlesex, HA7 4RS |                    |     |       |     |       |     |       |     |        |     |                   |   |  |
| TOLERANCES UNLESS OTHERWISE SPECIFIED:   |     | APVD<br>F.WHEELER-KING<br>15SEP2003 | NAME<br>37 WAY D-SUB SOCKET WITH BOARD LOCK     |                    |     |       |     |       |     |       |     |        |     |                   |   |  |
| <table border="1"> <tr><td>0 PLC</td><td>± -</td></tr> <tr><td>1 PLC</td><td>± -</td></tr> <tr><td>2 PLC</td><td>± -</td></tr> <tr><td>3 PLC</td><td>± -</td></tr> <tr><td>4 PLC</td><td>± -</td></tr> <tr><td>ANGLES</td><td>± -</td></tr> </table> |     | 0 PLC                               | ± -   | 1 PLC              | ± - | 2 PLC | ± - | 3 PLC | ± - | 4 PLC | ± - | ANGLES | ± - | PRODUCT SPEC<br>- | - |  |
| 0 PLC  | ± - |                                     |   |                    |     |       |     |       |     |       |     |        |     |                   |   |  |
| 1 PLC  | ± - |                                     |   |                    |     |       |     |       |     |       |     |        |     |                   |   |  |
| 2 PLC  | ± - |                                     |   |                    |     |       |     |       |     |       |     |        |     |                   |   |  |
| 3 PLC  | ± - |                                     |   |                    |     |       |     |       |     |       |     |        |     |                   |   |  |
| 4 PLC  | ± - |                                     |   |                    |     |       |     |       |     |       |     |        |     |                   |   |  |
| ANGLES   | ± - |                                     |   |                    |     |       |     |       |     |       |     |        |     |                   |   |  |
| MATERIAL<br>-  |     | FINISH<br>-                         | APPLICATION SPEC<br>-                           | RESTRICTED TO<br>- |     |       |     |       |     |       |     |        |     |                   |   |  |
|  |     | WEIGHT<br>SEE NOTE                  | SIZE<br>A3                                      | CAGE CODE<br>00779 |     |       |     |       |     |       |     |        |     |                   |   |  |
|  |     | DRAWING NO<br>C-1634587             |   | RESTRICTED TO<br>- |     |       |     |       |     |       |     |        |     |                   |   |  |
|  |     | CUSTOMER DRAWING                    |   | SCALE<br>NTS       |     |       |     |       |     |       |     |        |     |                   |   |  |
|  |     | SHEET<br>2 OF 2                     |   | REV<br>B           |     |       |     |       |     |       |     |        |     |                   |   |  |