

Type: **PN1-100**
 Article No.: **259141**
 Sales text **Switch-disconnector 3p**



Ordering information

Number of poles			3 pole
Description			Terminals standard, terminal screws as accessories
Rated current = rated uninterrupted current			
Rated uninterrupted current	I_u	A	100
Short-circuit protection max. fuse gL-characteristic		A gL	125

Notes concerning the product group

Notes for terminals → [260015](#)

Notes concerning the product group

Main switch characteristics including positive drive to IEC/EN 60204 and VDE 0113

Isolating characteristics to IEC/EN 60947-3 and VDE 0660

Protection against accidental contact according to IEC 100

With the switch-disconnector N additional voltage releases NZM...-XU, NZM...-XA and trip-indicating auxiliary contacts (HIA) can be used.

N2..., N3... and N4... can also be combined with the NZM...-XR... remote operator.

Switch-disconnectors

Rated impulse withstand voltage U_{imp}			
Main contacts		V	6000
Auxiliary contacts		V	6000
Rated operational voltage	U_e	V AC	690
Rated uninterrupted current max.			
IEC/EN 61131-3	I_u	A	160
Technical data, divergent from the products for the IEC market UL489, CSA 22.2 No. 5.1	I_u	A	125 (N1)
Overtoltage category/pollution degree			III/3
Rated insulation voltage	U_i	V AC	690
For use in IT electrical power networks		V	690

Switching capacity

Rated short-circuit making capacity	I_{cm}	kA	2,8
Rated short-time withstand current			
t = 0.3 s	I_{cw}	kA	2
t = 1 s	I_{cw}	kA	2
Rated conditional short-circuit current			
With back-up fuse		A gG/gL	PN1(N1)-63...125: 125PN1(N1)-160: 160
400 ... 415 V		kA	100
690 V		kA	80
With downstream fuse		A gG/gL	PN1(N1)-63...125: 125PN1(N1)-160: 160
400 ... 415 V		kA	100
690 V		kA	10
Lifespan, mechanical	Operations		20000
Maximum operating frequency		Ops./h	120
Lifespan, electrical to IEC/EN 60947-4-1 section B			
AC-1			
400/415 V	Operations		10000
690 V	Operations		7500
AC-3			
690 V	Operations		5000

Current heat loss per pole at I_U		W	12.7
Terminal capacities			
Round copper conductor			
Box terminal			
Solid		mm ²	1 × (10 – 16) 2 × (6 – 16)
Stranded		mm ²	1 × (25 – 70) depending on the cable manufacturer up to 95 mm ² can be connected. 2 × 25
Tunnel terminal			
Solid		mm ²	1 × 16
Stranded			
Stranded		mm ²	1 × (25 – 95)
Bolt terminal and rear-side connection			
Direct on the switch			
Solid		mm ²	1 × (10 – 16) 2 × (6 – 16)
Stranded		mm ²	1 × (25 – 70) 2 × 25
Al conductors, Cu cable			
Box terminal			
Solid		mm ²	1 × (16 – 95)
Tunnel terminal			
Solid		mm ²	1 × 16
Stranded			
Stranded		mm ²	1 × (25 – 95)
Bolt terminal and rear-side connection			
Direct on the switch			
Solid		mm ²	1 × (10 – 16) 2 × (10 – 16)
Stranded		mm ²	1 × (25 – 35) 2 × (25 – 35)
Cu strip (number of segments x width x segment thickness)			
Box terminal			
	min.	mm ²	2 × 9 × 0.8
	max.	mm ²	9 × 9 × 0.8
Copper busbar (width × thickness)			

Bolt terminal and rear-side connection			
Screw connection			M6
Direct on the switch			
	min.	mm ²	12 × 5
	max.	mm ²	16 × 5
Control cables			
		mm ²	1 × (0.75 – 2.5) 2 × (0.75 – 1.5)
Notes			
Notes			The current heat loss per pole ratings refer to the maximum current rating of the frame size.

Overview

Basic equipment

Box terminal ● – – –

Screw connection – ● ● ●

Accessories

Box terminal – ● ● –

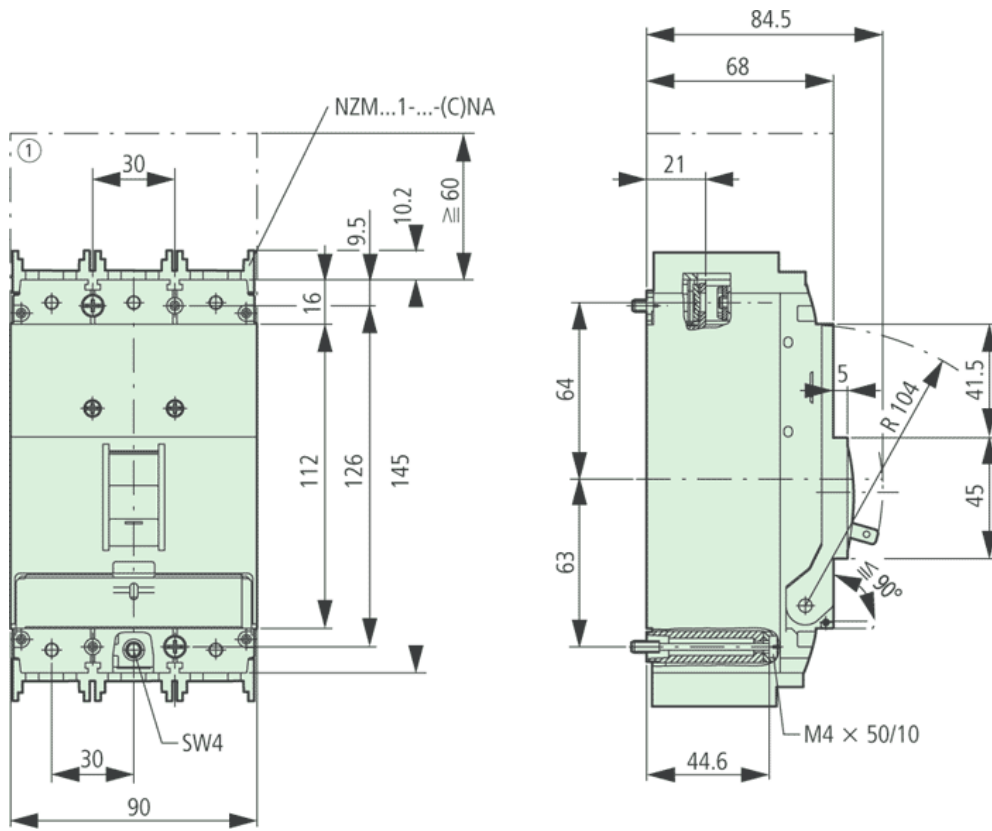
Screw connection ● – – ●

Tunnel terminal ● ● ● ●

Connection on rear ● ● ● ●

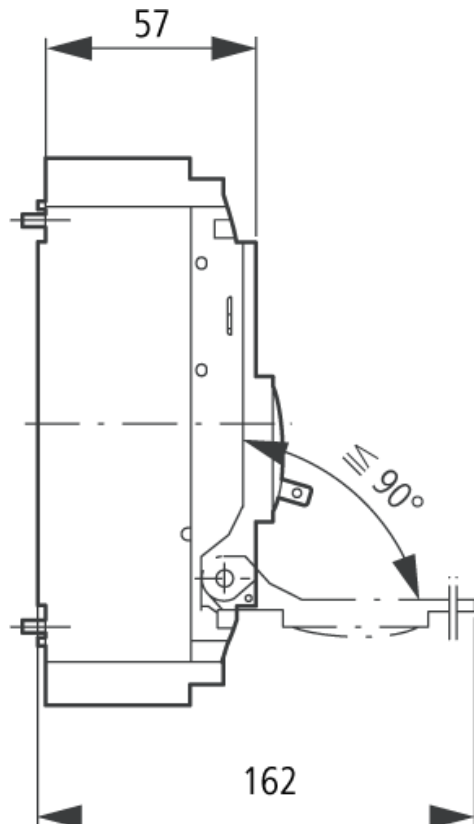
Flat conductor terminal – – – ●

Dimensions



Clearance from conductive parts 60 mm

Dimensions



Moeller GmbH, Hein-Moeller-Str. 7-11, D-53115 Bonn
E-Mail: catalog@moeller.net, Internet: www.moeller.net, <http://catalog.moeller.net>
Copyright 2006 by Moeller GmbH. HPL-C2007G V2.1