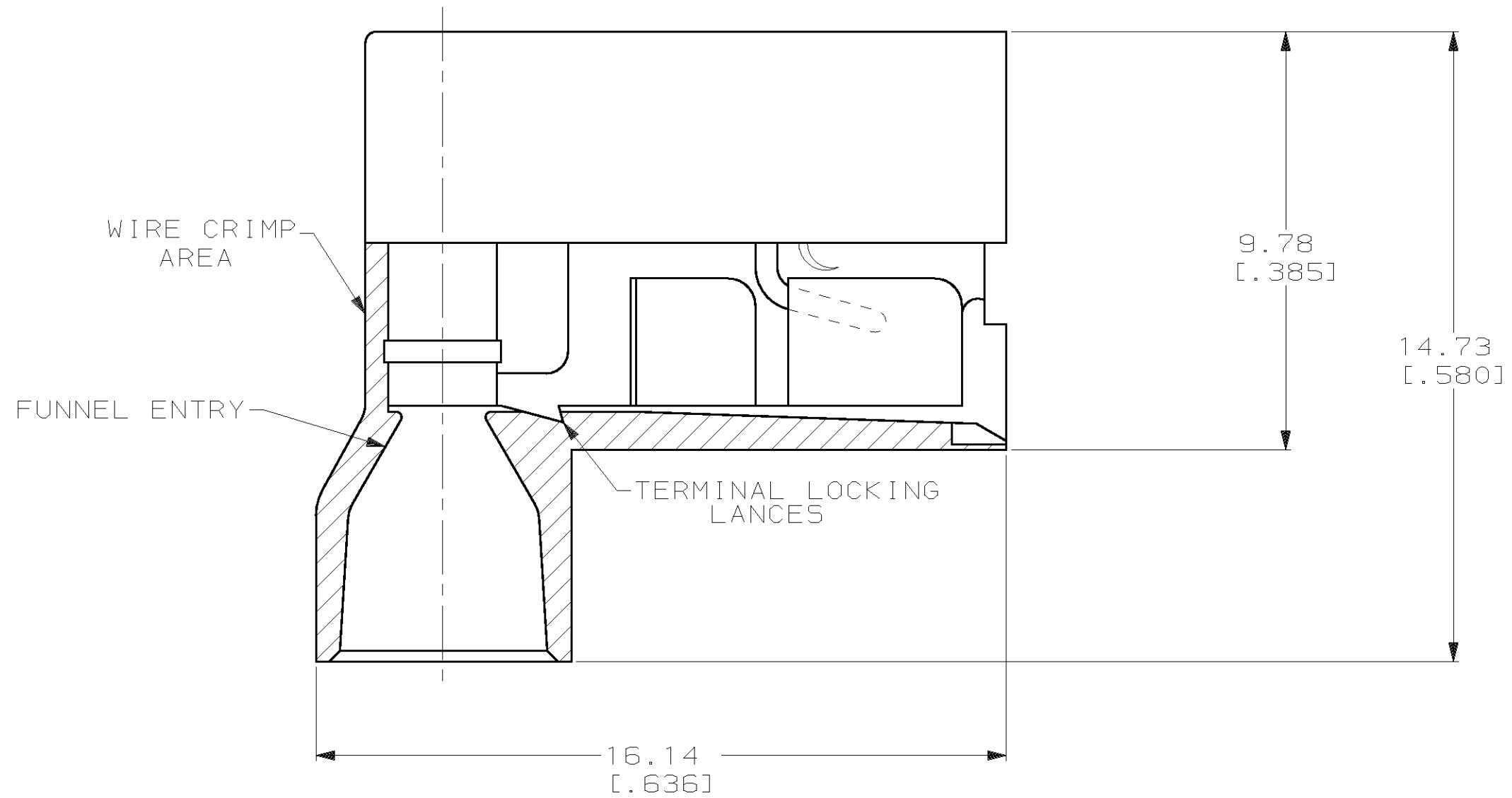
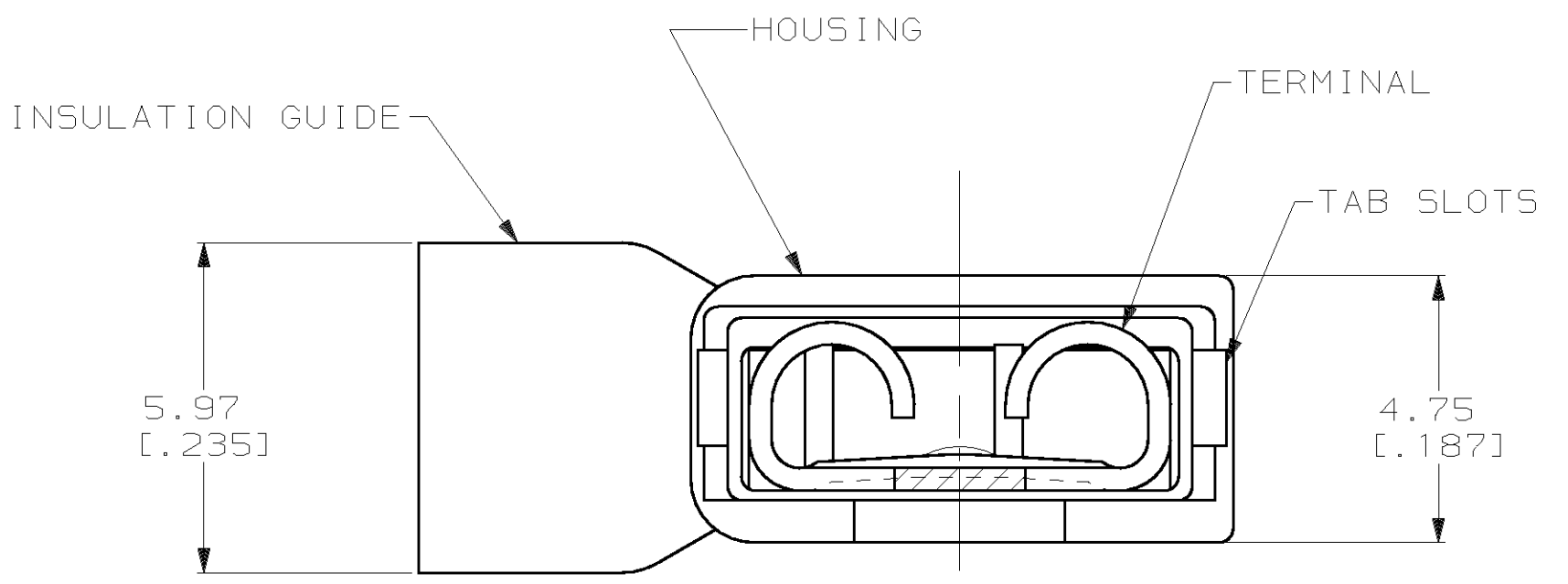
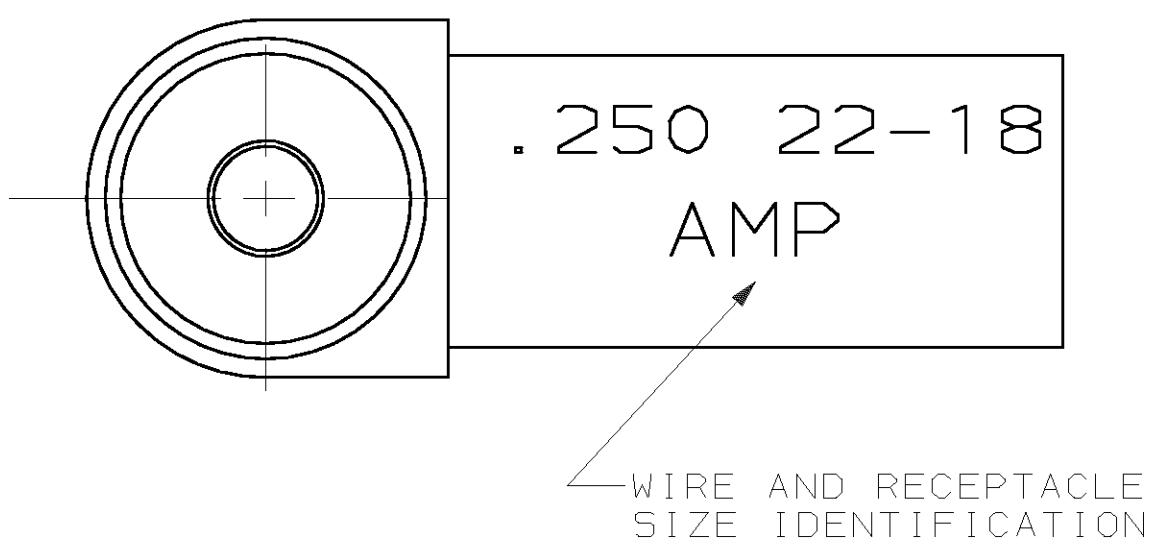


THIS DRAWING IS UNPUBLISHED. RELEASED FOR PUBLICATION
 © COPYRIGHT 19 BY AMP INCORPORATED. ALL INTERNATIONAL RIGHTS RESERVED.

LOC		DIST		ZONE		LTR		REVISIONS		DATE	APPD
AF	50							5	REV PER 0G1A-0149-99	3JUN99	JR/JH



- 1 FITS 0.81±0.025 X 6.35 [.032±.001 X .250] TAB
- 2 WIRE SIZE: 0.3-0.9mm² [22-18 AWG], STRANDED ONLY. STRIP LENGTH 7.94 [.312]
- 3 INSULATION SIZE: 4.19 [.165] MAX DIA.
- 4 SUPPLIED AS LOOSE PIECE.



HOUSING		TERMINAL		PART NO
TYPE 6/6 NYLON	RED TRANSLUCENT	0.41 [.016] #4H BRASS	TIN	
MATERIAL		COLOR		FINISH
DO NOT SCALE PRINT. UNLESS SPECIFIED DIMENSIONS IN mm [INCHES] TOLERANCES ON :		DR 10/19/89 P FORTNEY		AMP INCORPORATED Harrisburg, Pa. 17105
2 PLC DEC ± -		CHK 10/19/89 JR RUTH		
3 PLC DEC ± 0.38 [.015]		APPD 10/19/89 D BRATINA		
MATERIAL		APPD 10/19/89 R KUZO		NAME
SEE TABLE		PRODUCT SPEC 108-2043		RECEPTACLE ASSEMBLY, ULTRA-FAST FLAG, 6.35 [.250] SERIES
FINISH		APPLICATION SPEC 114-2123		SIZE C
SEE TABLE		WEIGHT -		CAGE CODE 00779
				DRAWING NO 520129
				SCALE 8:1
				SHEET 1 OF 1

