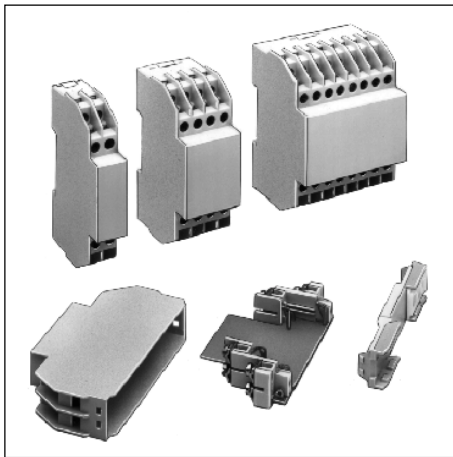
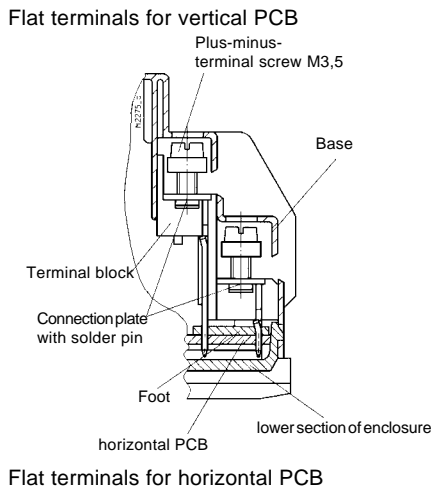
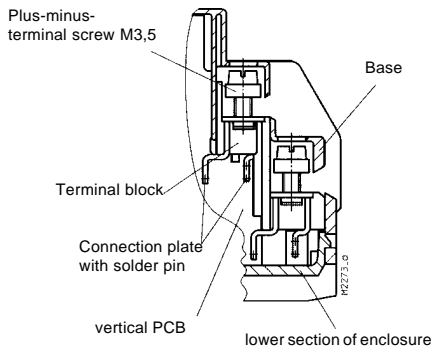


# Insulated Enclosure KU 4087, KU 4088 KU 4089 to DIN 43 880 for building-into distribution cabinets or surface mounting



- Width 17,5 / 35 / 70 mm
- 8 / 16 / 32 plus-minus-terminal screws with self raising terminal washers.  
Part utilised possible, with blanking plug as option
- Secure termination of max. 2 connection wires of differing cross section
- Machine solderable connection pins, additional wire connection possible
- Housing supplied as single parts, terminals prefitted in terminal blocks



## Technical Data

Order references	
8 Terminals	
KU 4087.0031867:	Standard version vertical PCB
KU 4087.0044740:	Standard version horizontal PCB
16 Terminals	
KU 4088.0031868:	Standard version vertical PCB
KU 4088.0036588:	Standard version horizontal PCB
32 Terminals	
KU 4089.0031869:	Standard version vertical PCB
KU 4089.0036437:	Standard version horizontal PCB

Versions with removable front plate, on request

**Outer dimensions:** 17,5 x 90 x 58 / 35 x 90 x 58 / 70 x 90 x 58  
**Enclosure material:** PC - GF, light grey RAL 7035

Temperature stability:	
complying with UL 746 B:	125 °C
complying with Vicat ISO 306	Meth. B: 148 °C
complying with ISO 75-2	Meth. A: 138 °C Meth. B: 144 °C

**Max. permitted power dissipation:** 3 W / 4 W / 8 W  
at normal climate 23/50-1 ISO 554  
**specific thermal resistance:** R<sub>th</sub> = 16 K / W; 12 K / W; 8 K / W  
for stand-alone enclosure

**Flame retardancy**  
 complying with UL 94: V-0  
 complying with IEC 60 707: BH 2-30

**Number of terminals:** 8 / 16 / 32; < 8, < 16, < 32 on request

**Terminal material:** Steel strip, tin-plated

**Max. cross section for connection:** 2 x 2,5 mm<sup>2</sup> solid  
2 x 1,5 mm<sup>2</sup> stranded DIN 46 228-1/-2/-3/-4  
min. Ø 0,1 mm solid

**Max. contact resistance to printed circuit board:** 20 mΩ

**Max. current carrying capacity:** 16 A; 40 A on request

**Wire fastening:** Captive plus-minus-terminal screws M3,5 with self raising terminal washers.  
Function compl. with IEC 60 999-1

**Inner connection:** Machine solderable connection pin for PCB und and soldering lug for stranded

**Enclosure fastener:** 1) Snap-on fastener on top hat rail EN 50 022  
2) Screw fixing M4, grid 90 mm with additional clip as accessory

**Creepage current resistance:** CTI 175 ≙ insulated material III a IEC 60 664-1

**Air gap and creepage distances** IEC 60 664-1

**Vertical PCB:** Air gap distance: ≥ 4,0 mm  
Creepage distance: ≥ 6,3 mm

**Horizontal PCB:** ≥ 3,2 mm

**Type of protection**  
**Enclosure:** IP 40 IEC 60 529  
**Terminals:** IP 20 IEC 60 529  
 Contact protection complies with VBG 4

**Print area:** 17 x 44 mm / 35 x 44 mm / 71 x 44 mm

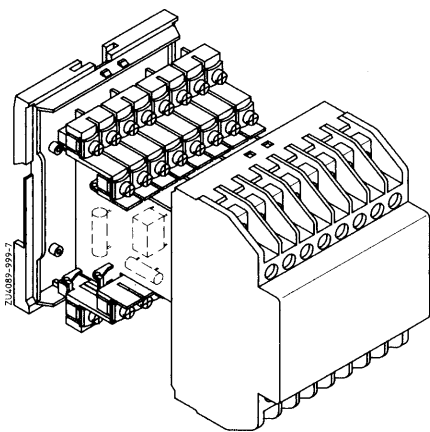
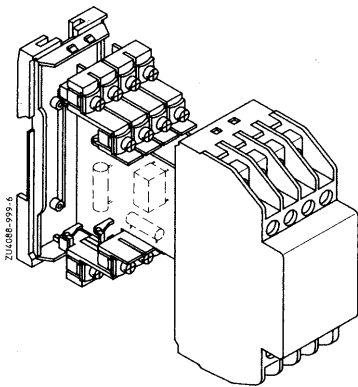
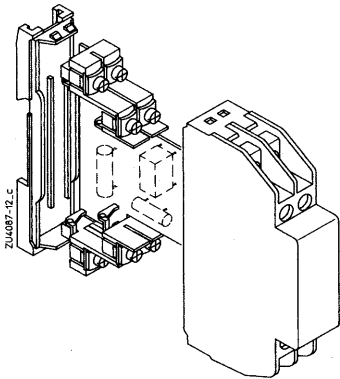
**Printed circuit board:** See printed circuit board design

**Printed circuit board holder:** Guide ribs

**Net weight:** 42 / 80 / 150 g

**Accessories:**  
 ET 4086-0-2: Second clip for screw fixing  
 KU 4089-3-4: Blanking plug for terminal block  
 KU 4087-0-2: Blanking plug for Enclosure base  
 KU 4087-2-1: Dummy terminal block for vertical PCB  
 KU 4089-3-1: Dummy terminal block for horizontal PCB  
 KU 4089-3-3: Double foot, for KU 4089-3-1 necessary,  
 2 pieces KU 4089-3-1 mounted on double foot  
 Foot, for KU 4089-3-1 necessary,  
 1 piece KU 4089-3-1 mounted on foot

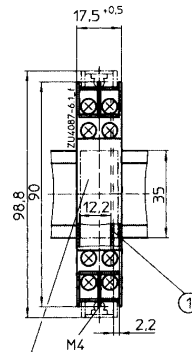
## Exploded views



## Dimensions Enclosure for vertical PCB

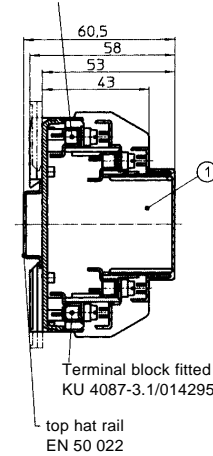
PCBs not included in deliveries

KU 4087.0031867

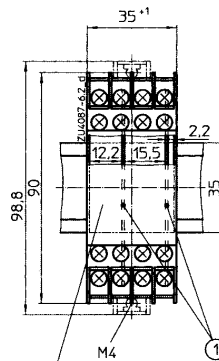


in area 15 x 35 openings are possible to customers spec.

Terminal block fitted  
KU 4087-2.1/0142957

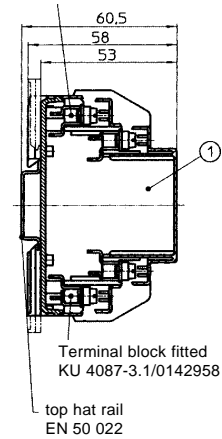


KU 4088.0031868

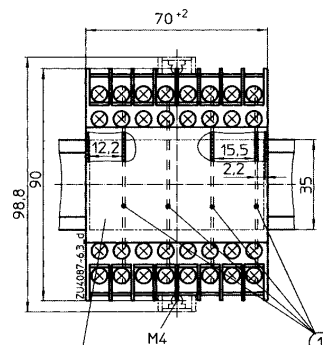


in area 33 x 35 openings are possible to customers spec.

Terminal block fitted  
KU 4087-2.1/0142957

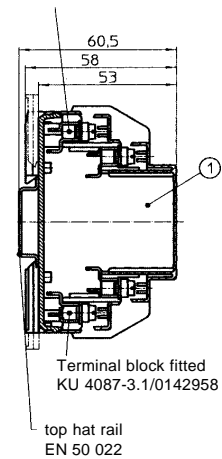


KU 4089.0031869



in area 67 x 35 openings are possible to customers spec.

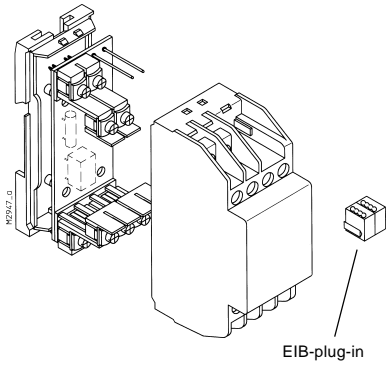
Terminal block fitted  
KU 4087-2.1/0142957



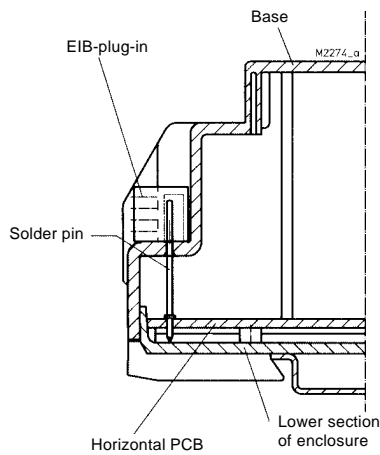




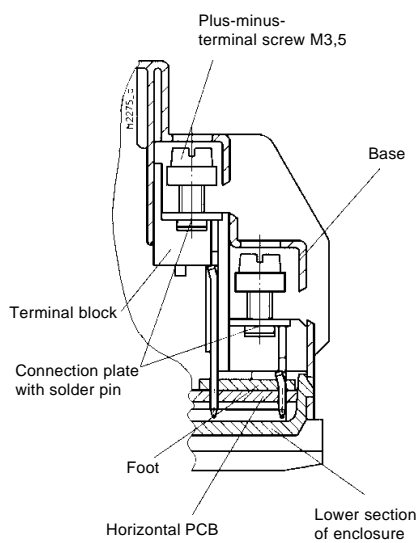
## KU 4088 for EIB-plug-in (12-pole)



- Width 35 mm
- Useable for Sensor and Aktor modules in EIB-system
- For standard EIB-plug-in, 2-pole
- 12 plus-minus-terminal screws with self raising terminal washers
- Part insertion possible, available with blanking plugs

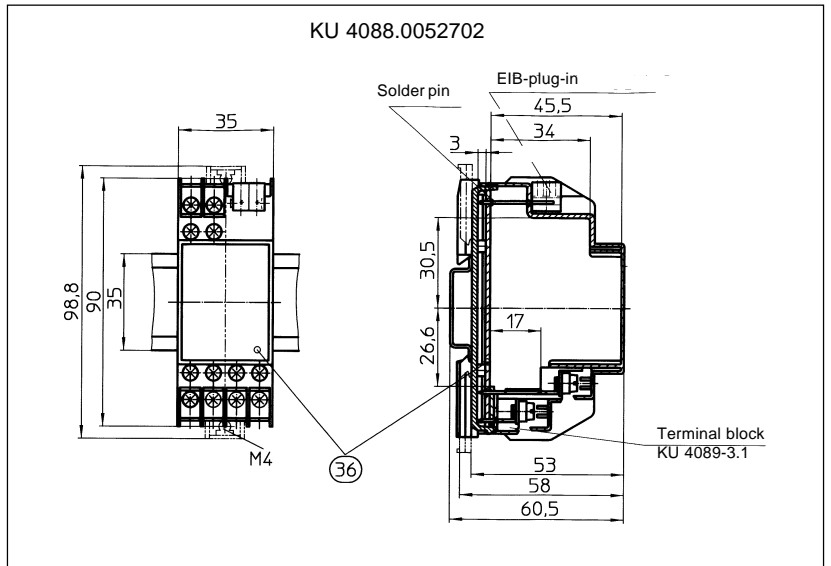


EIB-plug-in

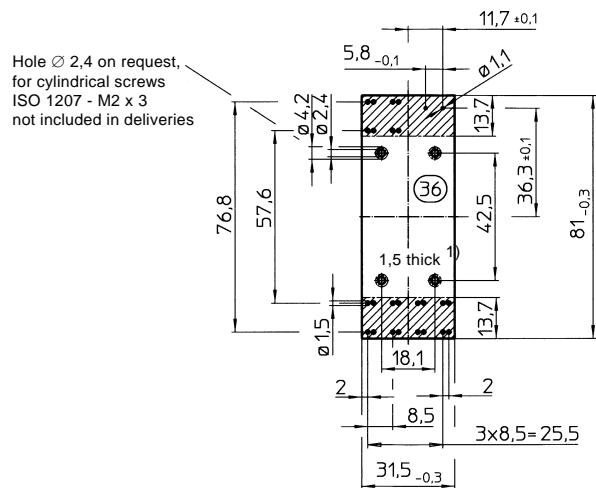


Flat terminals for horizontal PCB

## Dimension



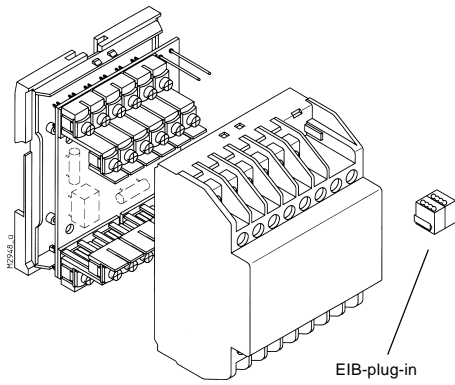
## Printed circuit board design



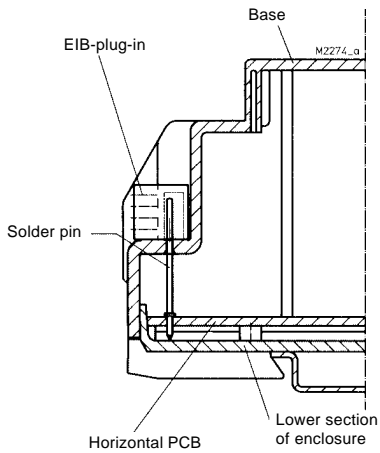
▨ inhibited surface

- 1) Tolerance complying with IEC 60 249-2-4
- 2) Hole  $\varnothing$  2,4 on request, for cylindrical screws ISO 1207 - M2 x 3 not included in deliveries

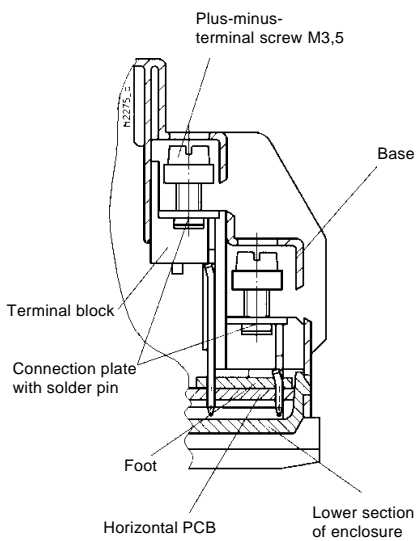
## KU 4089 for EIB-plug-in (28-pole)



- Width 70 mm
- Useable for Sensor and Aktor modules in EIB-system
- For standard EIB-plug-in, 2-pole
- 28 plus-minus-terminal screws with self raising terminal washers
- Part insertion possible, available with blanking plugs



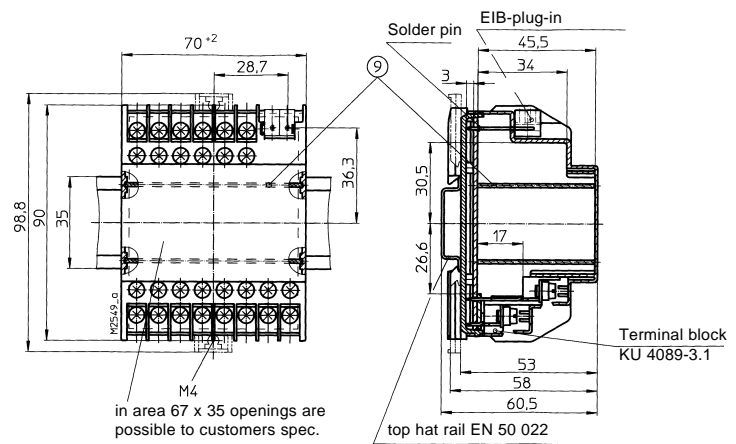
EIB-plug-in



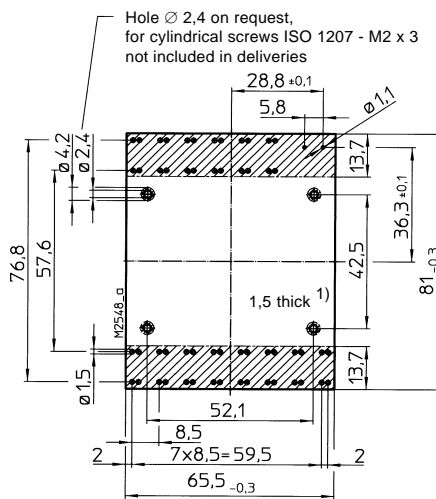
Flat terminals for horizontal PCB

## Dimension

KU 4089.0051013



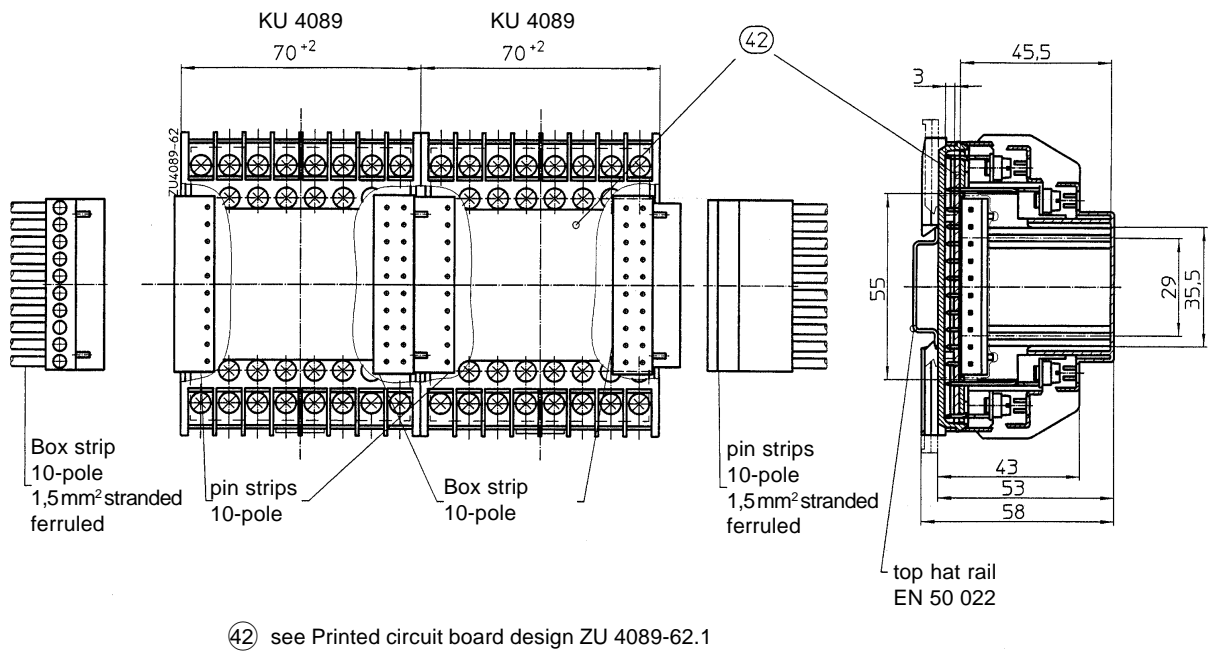
## Printed circuit board design



▨ inhibited surface

- 1) Tolerance complying with IEC 60 249-2-4
- 2) Hole  $\varnothing$  2,4 on request, for cylindrical screws ISO 1207 - M2 x 3 not included in deliveries

## Dimensions for BUS-connection between enclosure and from row to row



other polarity versions, on request

## Printed circuit board design for BUS-connection between enclosure and from row to row

