

10

9

8

7

6

5

4

3

2

1

F

E

D

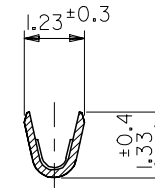
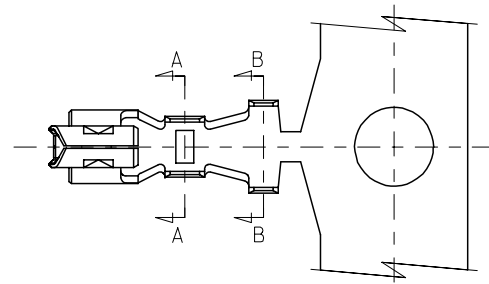
C

B

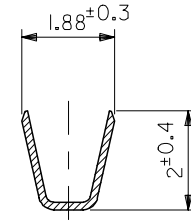
A

注記

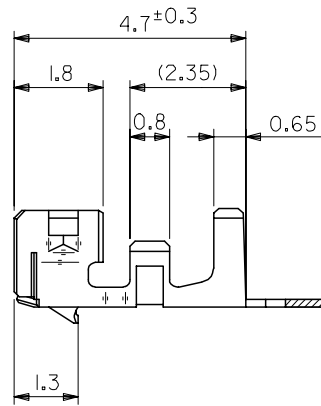
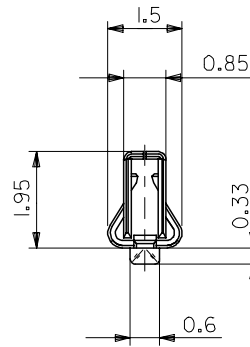
- 1. 適用ハウジング: 51065-***00
APPLICABLE HOUSING 51089-***05
51090-***00
- 2. 材質:
MATERIAL
リン青銅
PHOSPHOR BRONZE
錫メッキ
PRE-TINNED
t=0.152



SECT. A-A



SECT. B-B



50212-8100	バラ状
50212-8000	連鎖状
MATERIAL NO.	端子形状

REVISED EC NO: J2006-1104 DRW: ESUZUKI CHK: KTOYODA APPR: NUKITA	DESCRIPTION 2005/10/05 2005/10/06 2005/10/13	GENERAL TOLERANCES (UNLESS SPECIFIED)		DIMENSION STYLE MM ONLY		SCALE 10:1	DESIGN UNITS METRIC	THIRD ANGLE PROJECTION		
		10 UNDER	±0.2	DRAWN BY SAIHARA	DATE 89/09/21	TITLE NEW 2.0 WIRE TO BOARD CONN. CRIMP RECEPTACLE				
		10 OVER 30 UNDER	±0.25	CHECKED BY MFUKUSHIMA	DATE 92/01/31					
		30 OVER	±0.3	APPROVED BY MENOMOTO	DATE 92/01/31	MOLEX INCORPORATED				
ANGULAR ±3 °		DRAFT WHERE APPLICABLE MUST REMAIN WITHIN DIMENSIONS		MATERIAL NO. SEE CHART		DOCUMENT NO. SD-50212-001		SHEET NO. 1 OF 1		

9

8

7

6

5

4

3

2