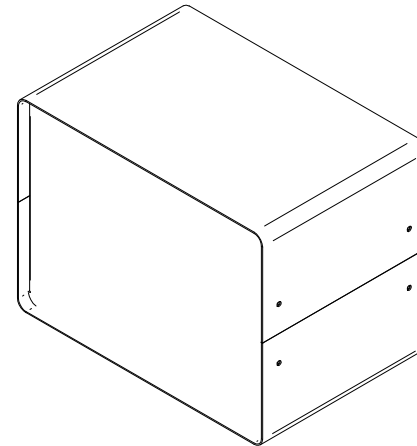


PART No. 1401M

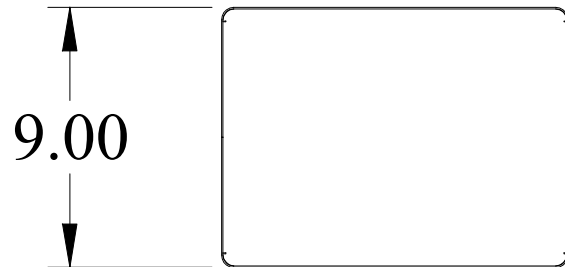
for more information visit
www.hammondmfg.com

Data subject to change without notice

ISOMETRIC VIEW NOT TO SCALE

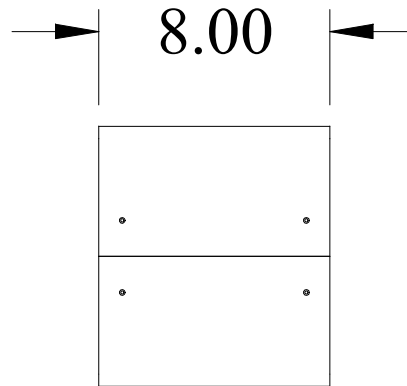


TOP



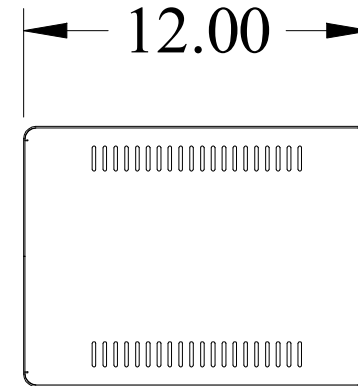
9.00

FRONT



8.00

SIDE



12.00

REAR