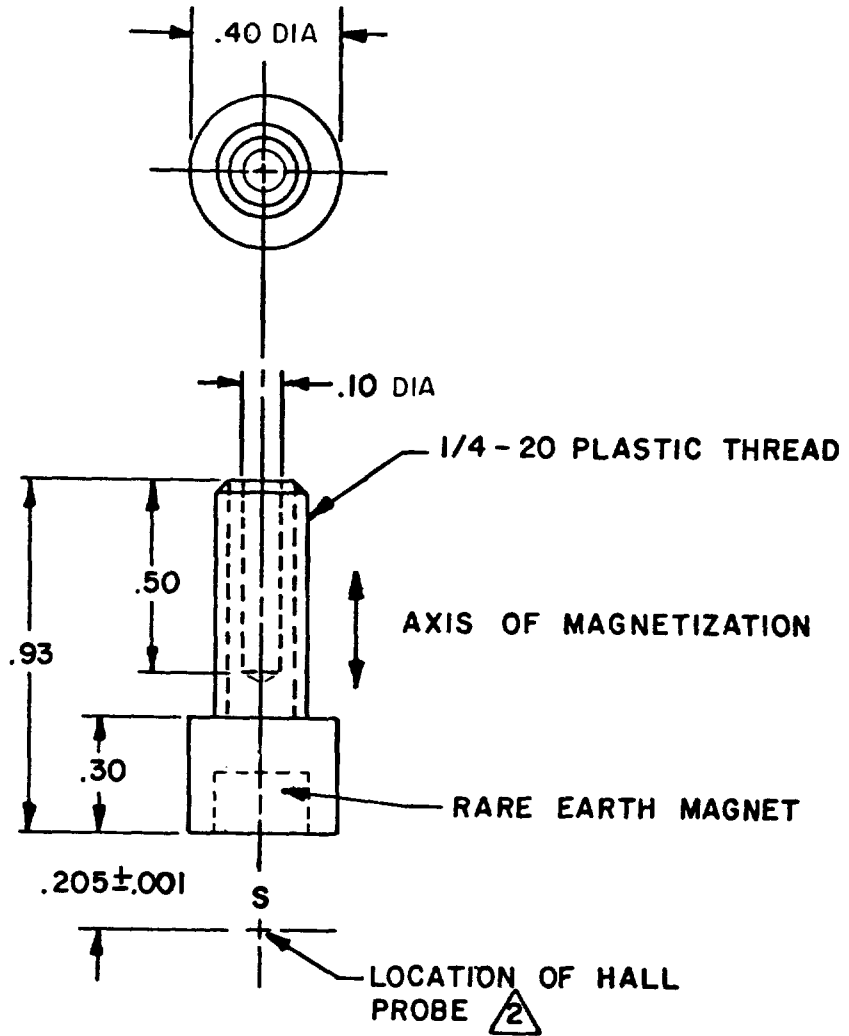


CATALOG LISTING
106MG10
PAGE 1 OF 1
REPLACES
PR-7502
ISSUE
M
4

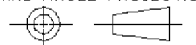


NOTES

- 1 THE MAGNET IS RARE EARTH COBALT MAGNETIZED AND CONDITIONED FOR OPERATION
- 2 READING IN GAUSS WITH F.W. BELL 620 GAUSSMETER AND PROBE STJ4-0402 AT .205±.001 INCHES FROM SOUTH POLE AT TEMPERATURE OF 24°±2°C SHALL BE 310 GAUSS MINIMUM

THIS DRAWING COVERS A PROPRIETARY ITEM AND IS THE PROPERTY OF MICRO SWITCH, A DIVISION OF HONEYWELL. THIS DRAWING IS NOT TO BE COPIED OR USED WITHOUT THE APPROVAL OF MICRO SWITCH.

THIRD ANGLE PROJECTION



CHARACTERISTICS

ELECTRICAL DATA

SCALE **2:1**

DO NOT SCALE PRINT

CONTACT ARRANGEMENT

UNLESS OTHERWISE SPECIFIED TOLERANCES ARE

ONE PLACE (.0) ±.030

TWO PLACE (.00) ±.015

THREE PLACE (.000) ±.005

ANGLES ±

WEIGHT

REVISIONS	DATE	BY	DESCRIPTION
A	CO-81006	GJW	29 MAY 96

CHECK

CHECK

CHECK

29 MAY 96

FORMTEK

DRAWN

GJW