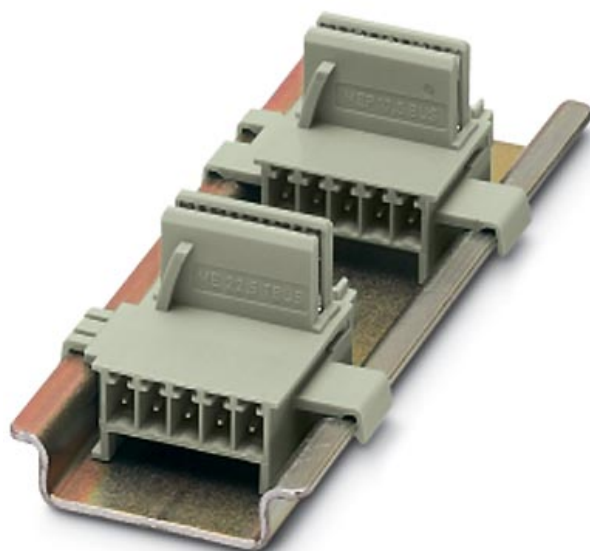


Please note that the data given here has been taken from the online catalog. For comprehensive information and data, please refer to the user documentation at <http://www.download.phoenixcontact.com>. The General Terms and Conditions of Use apply to Internet downloads.

## ► Extract from the online catalog



DIN rail bus connector, 5-pos., color: Light gray

Order No.	2713722
Ord designation	ME 22,5 TBUS 1,5/ 5-ST-3,81 KMGY
EAN	4017918914516
Pack	50 Pcs.
Customs tariff	85369010
Weight/Piece	0,005767 KG
Catalog page information	Page 135 (NTK-2005)

## ► Product notes

WEEE/RoHS-compliant since: 01/01/2003

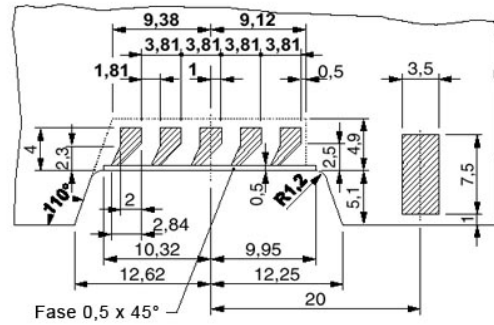
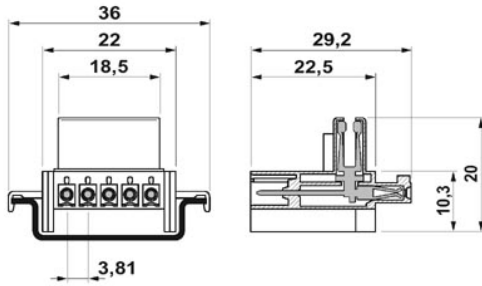


**IMPORTANT :** This date is valid for Customers in Germany only. Date Format is MM/DD/YYYY. Please contact your local in-country Phoenix Contact location or designated business partner for a Logistics Compliant date in your area. In order to guarantee delivery of RoHS-Compliant product, please purchase Phoenix Contact parts from authorized Phoenix Contact representatives and distributors.

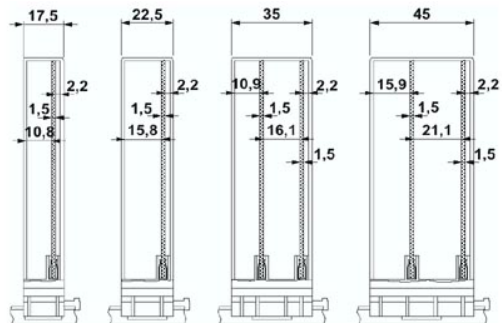
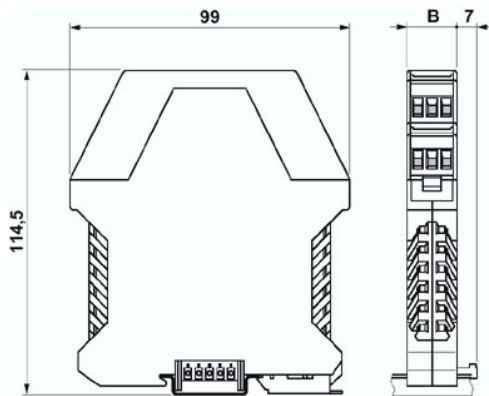
## ► Drawings



Dimensioned drawing



Detailed dimensional drawing of the mounting rail bus connector contact pads



---

## ► Address

---

PHOENIX CONTACT GmbH & Co. KG  
Flachsmarktstr. 8  
32825 Blomberg  
Germany  
Phone +49 5235 3 00  
Fax +49 5235 3 41200  
<http://www.phoenixcontact.com>  
Phoenix Contact  
Technical modifications reserved;