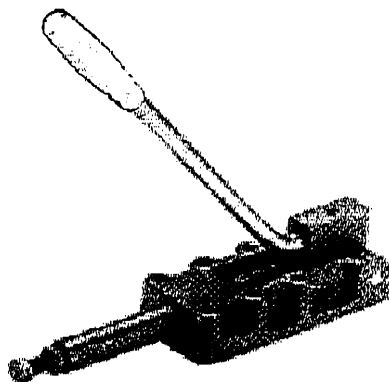


714-8173



HEAVY-DUTY PUSH-PULL CLAMPS

MODEL P2500L



Plunger:
Locks at both extended & retracted ends of the stroke.

Base:
Body mounting.

Nominal Holding Force:
2500 daN

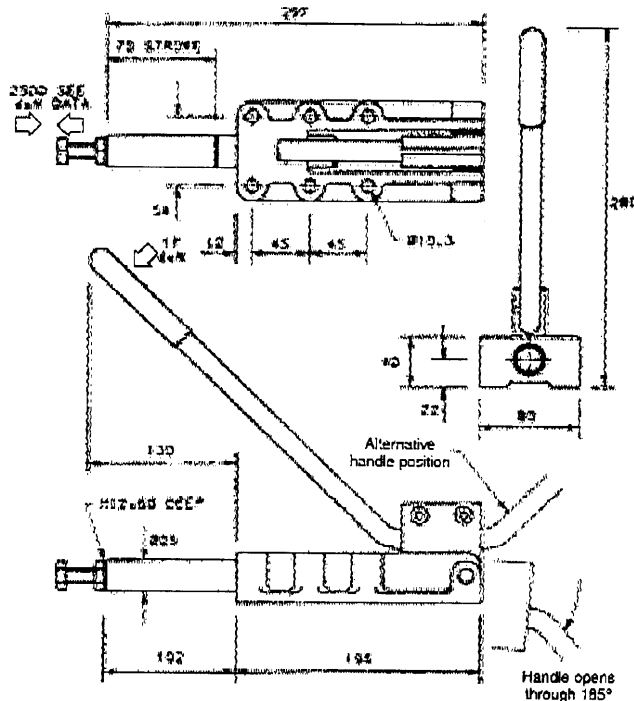
Weight:
4.15 Kg

Supplied complete with:
MB1250 Setscrew & nut

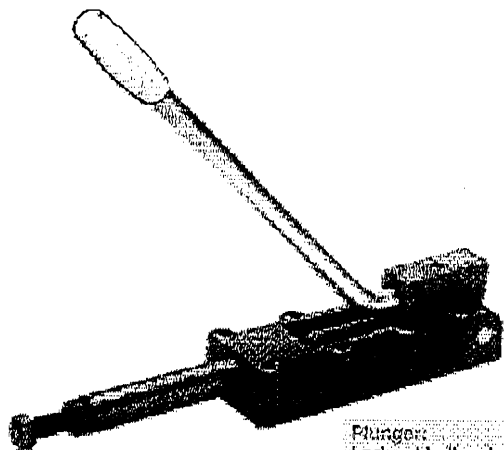
See "Accessories" for other items.

With 17 daN handle force the output force is:

daN	daN
Fully retracted	1000
10 mm extended	100
20 mm ..	72
30 mm ..	60
40 mm ..	70
50 mm ..	88
60 mm ..	118
70 mm ..	190
72 mm ..	230
74 mm ..	353
Fully extended	1100



MODEL P5000L



Plunger:
Locks at both extended & retracted ends of the stroke.

Base:
Body mounting.

Nominal Holding Force:
5000 daN

Weight:
7.10 Kg

Supplied complete with:
MB1680 Setscrew & nut

See "Accessories" for other items.

With 20 daN handle force the output force is:

daN	daN
Fully retracted	1100
10 mm extended	180
20 mm ..	110
30 mm ..	75
40 mm ..	80
50 mm ..	82
60 mm ..	100
70 mm ..	100
80 mm ..	130
90 mm ..	190
95 mm ..	250
97 mm ..	310
99 mm ..	450
Fully extended	1210

