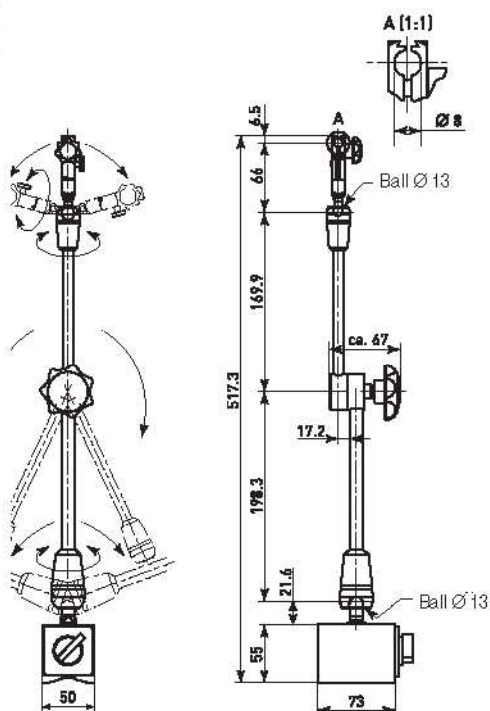


# Joint magnetic stand

## Series 7

The dial indicator can be fixed in any position using the clamping



No.	Working radius mm	Total height mm	Mass kg
011360	400	510	2,1

### Specifications

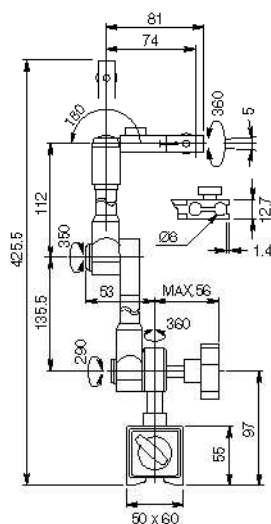
Magnetic force: 900 N vertical retractile force  
 Base size: 75 x 50 x 55 mm  
 Bore for dial indicator stem: Ø 8 mm

## Series 7

The dial indicator can be fixed in any position by means of the hydraulic clamping



No.	Working radius ca. mm	Total height mm	Fine Adjustment	Mass kg
7019 B	320	420	± 5°	1,75



### Specifications

Magnetic force: 600 N vertical retractile force  
 Base size: 50 x 60 x 55 mm  
 Bore for dial indicator stem: Ø 8 mm

7019 B